

# PTM

PLASTIC PROFILES AND TUBES

2024



## INDEX PRODUCTS

<b>PROFILES</b>	<b>Page</b>
0-10	6-9
10-20	10-24
20-30	25-42
30-40	46-53
40-50	56-62
50-60	64-67
60-70	68-69
70-80	70-71
80-90	72
90-100	73
100-120	76-77
120-275	78-80
<b>MICRO PRISMATIC STRUCTURE PROFILES</b>	<b>81-106</b>
<b>CLOSED SECTIONS</b>	<b>109-123</b>
<b>GLASS PARTITIONING PROFILES</b>	<b>125-134</b>
<b>POLYCARBONATE TUBES</b>	<b>136</b>
<b>PMMA TUBES</b>	<b>137</b>
<b>PMMA SATIN TUBES</b>	<b>138</b>
<b>DIMENSIONS</b>	<b>139</b>
<b>TECHNICAL TUBES SPECIFICATIONS</b>	<b>140</b>
<b>TECHNICAL DATA SHEET POLYCARBONATE UV STABILIZED – ANTISHOCK</b>	<b>141-142</b>
<b>TECHNICAL DATA SHEET POLYCARBONATE FLAME RETARDANT</b>	<b>143-144</b>
<b>TECHNICAL DATA SHEET PMMA TRANSPARENT</b>	<b>145</b>
<b>TECHNICAL DATA SHEET PMMA SATIN</b>	<b>146</b>



PTH guarantees to its customers a total care in the development of Extruded Plastic Profiles and Tubes and in its production through a design office supported by the use of last upgraded software, newest extrusion lines machines and technology, plastic raw material development and from the large experience gained by the subsidiary company in the tools production. This allow PTH to realize and develop particular projects on customer's request.

#### **FACILITIES:**

- 20 extrusion lines
- Construction and carrying out of internal tools
- More than 1000 produced profiles
- CAD/CAM
- Development of projects and technical elaboration of the profiles for the exclusive use of the customer
- Advice in the choice of material to extrude
- Advising and realisation of the profile in short times
- Test and trails of the mould
- Single, dual and triple extrusion
- Maintenance of equipment such to guarantee the constant quality of the product on time
- Quality control

---

*Some drawings of this catalog are exclusive property of our customers.  
LED and Lighting Profiles and Diffusers drawings are only for illustrative purpose.  
Technical modifications reserved*

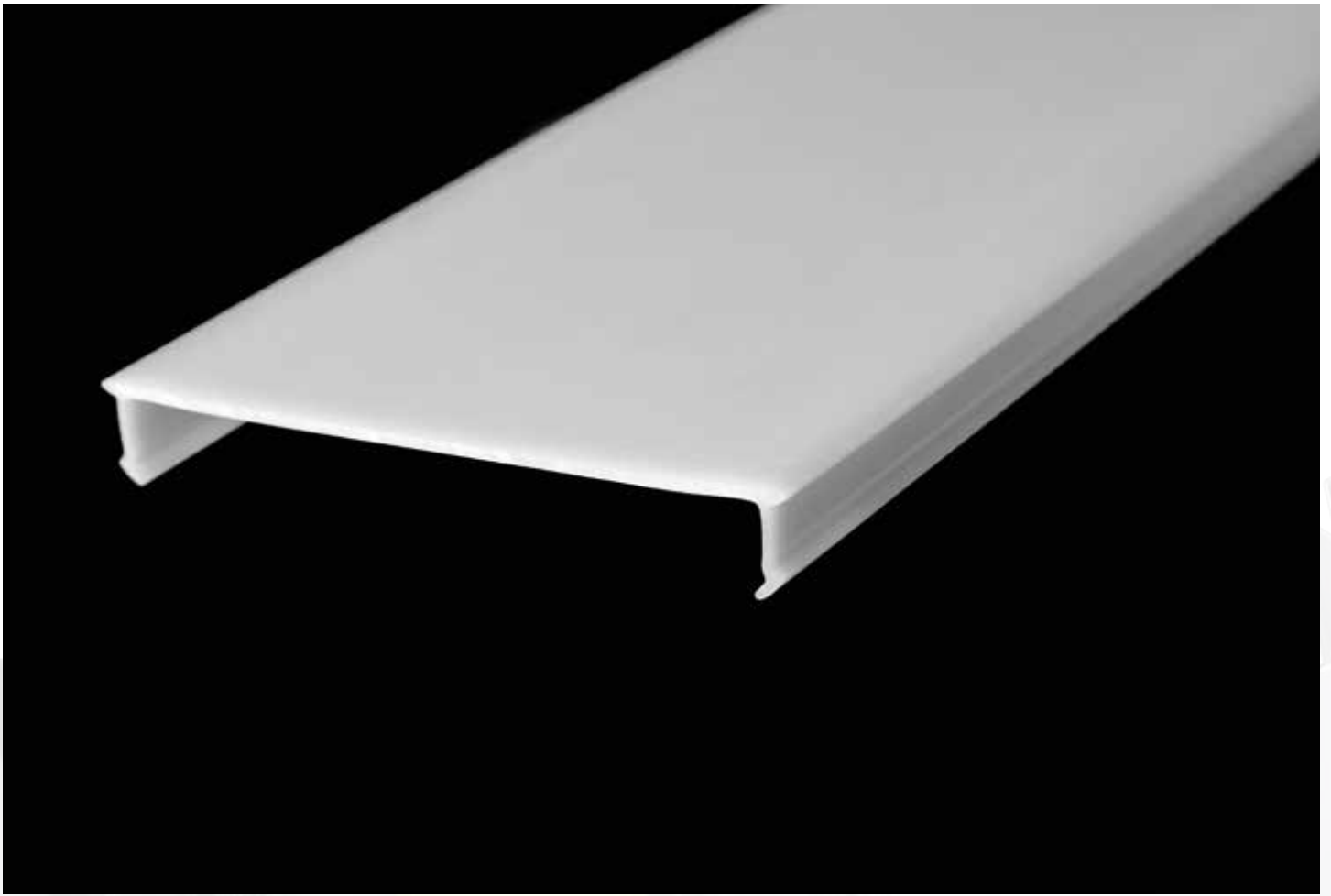
---





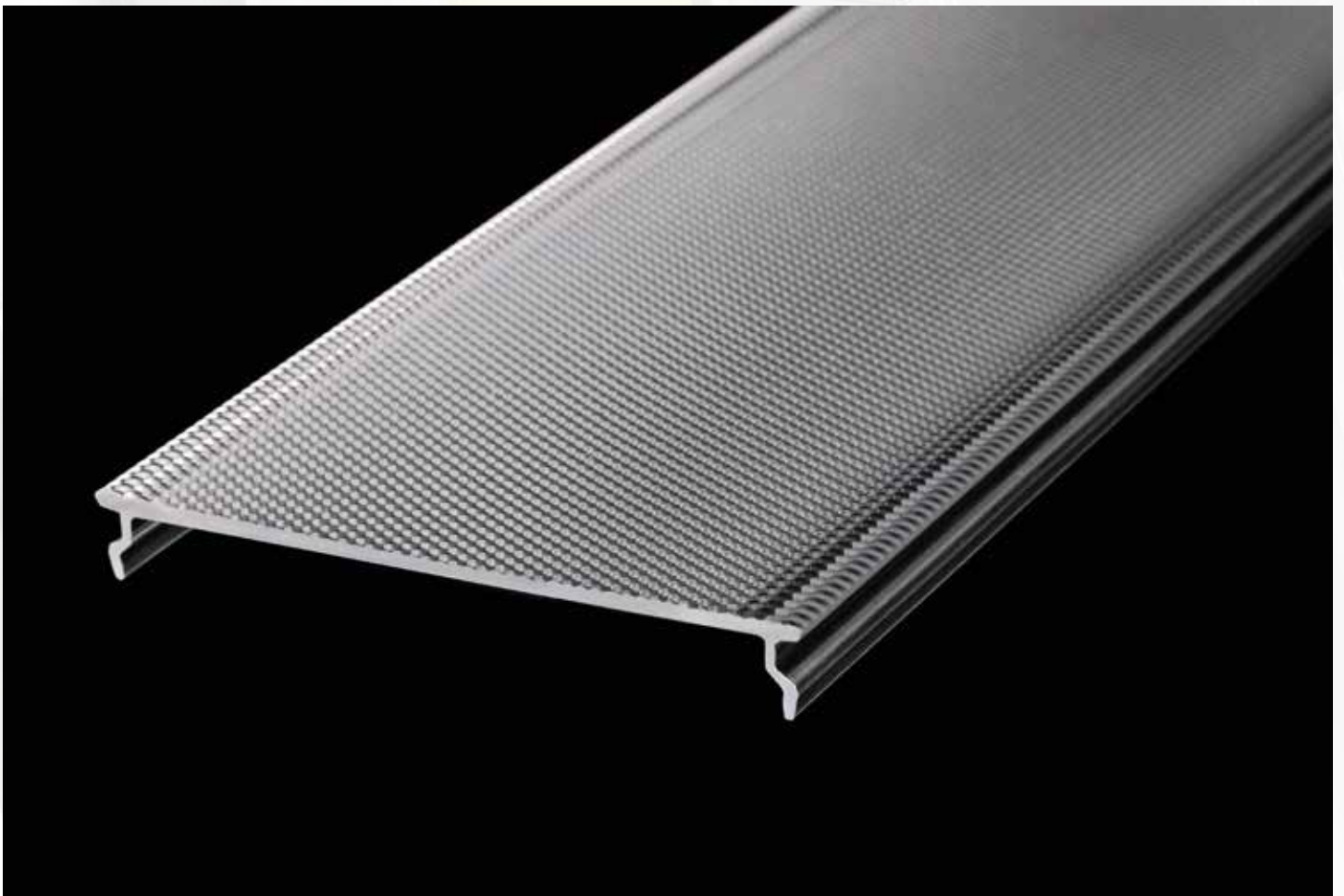






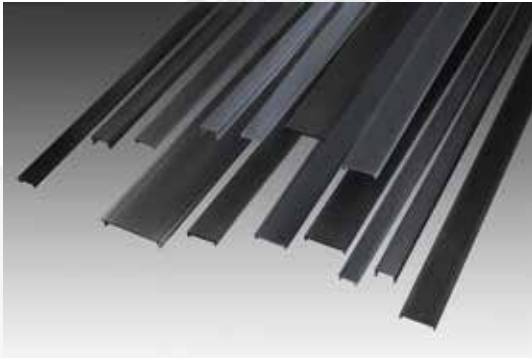
**POLYCARBONATE SATIN SBB PROFILE**

**MICRO PRISMATIC PROFILE**



# PROFILES

**PTH** is specialized in development and extrusion of **Plastic Profiles** in a wide range of polymers in order to satisfy the most particular technical needs and requirements of customers.



**Polycarbonate Transparent and Opal Profiles**

**Polycarbonate Satin Profiles**

**PMMA Transparent and Opal Profiles**

**PMMA Satin Profiles**

**Prismatic Profiles**

**Blend Profiles**

**ABS Profiles**

**PVC Profiles**

**Coextruded Profiles**

## **APPLICATIONS:**

### • **Lighting**

- Technical
- Industrial
- Street
- Rail Train and Subway
- Outdoor & Indoor
- Illuminated advertising

### • **LED**

### • **Electronic**

### • **Furnishing**

- Kitchens and Wardrobes

### • **Automotive**

- Bus and Trains

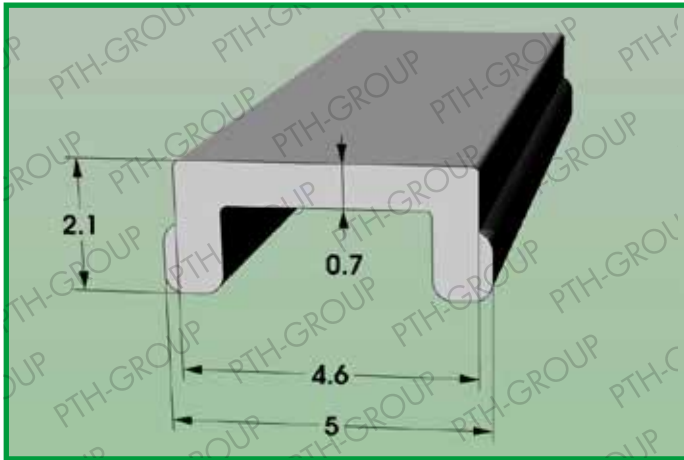
### • **Building**

- Partitions Wall Systems
- Glass Wall Partition



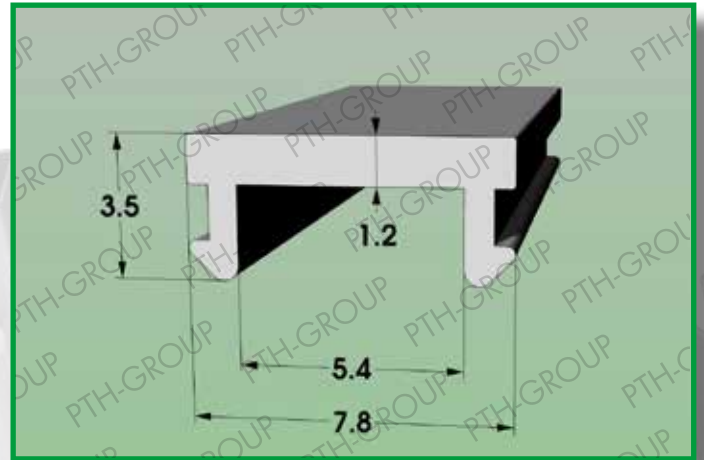
**Profile 1010.469**

**Material: POLYCARBONATE CLEAR / OPAL**



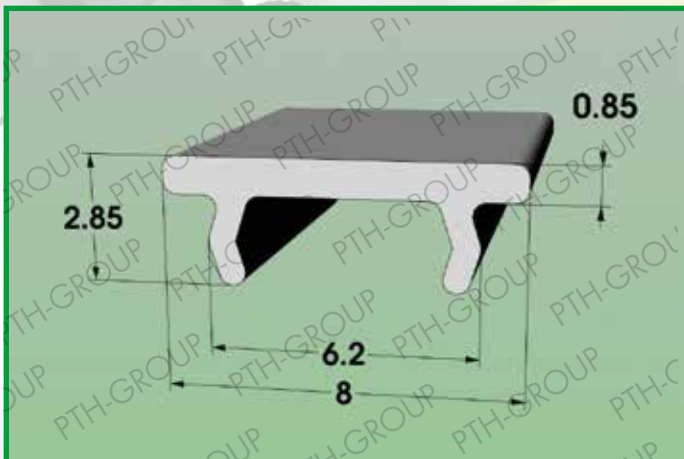
**Profile 1010.458**

**Material: POLYCARBONATE CLEAR / OPAL**



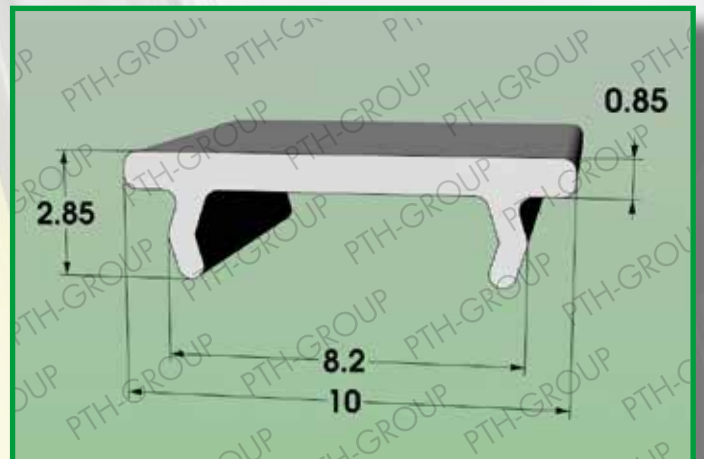
**Profile 1010.451**

**Material: POLYCARBONATE CLEAR / OPAL**



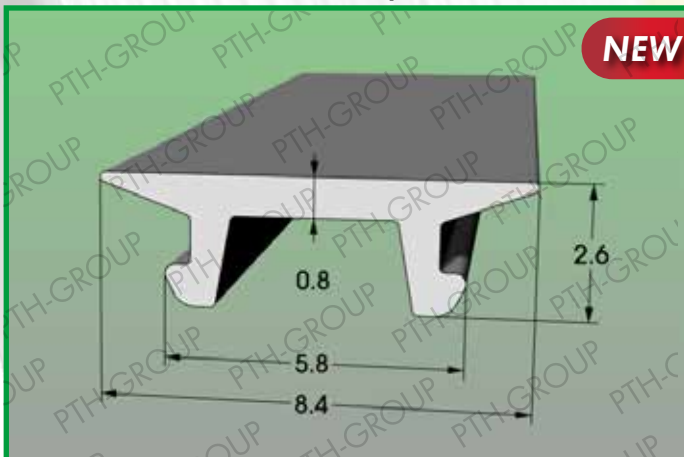
**Profile 1010.452**

**Material: POLYCARBONATE CLEAR / OPAL**



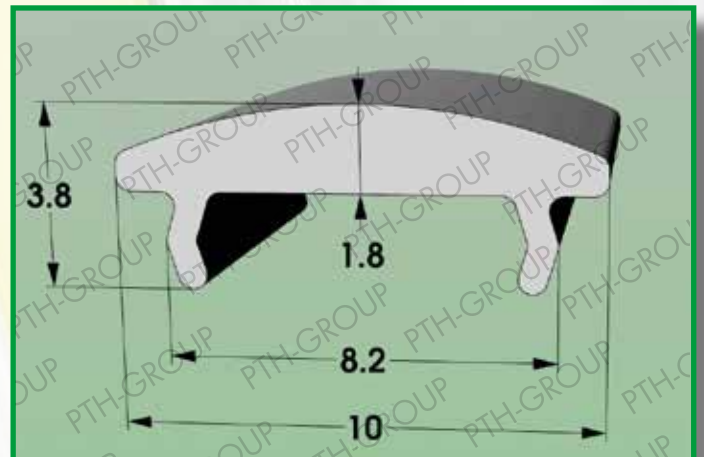
**Profile 1010.550**

**Material: POLYCARBONATE CLEAR / OPAL / SATIN SBB  
PMMA CLEAR / SATIN**



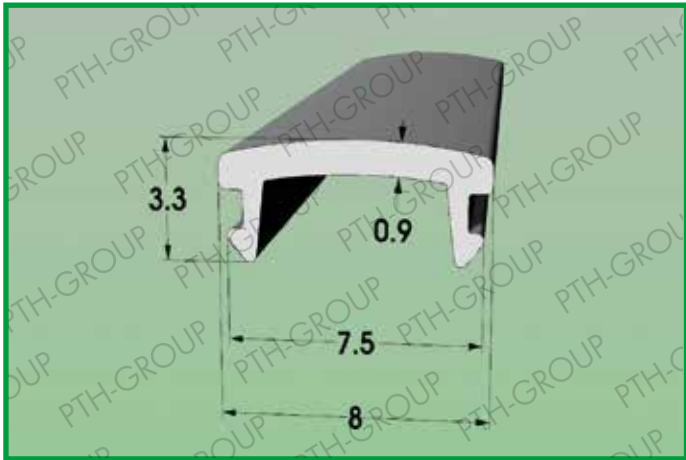
**Profile 1010.453**

**Material: POLYCARBONATE CLEAR / OPAL**



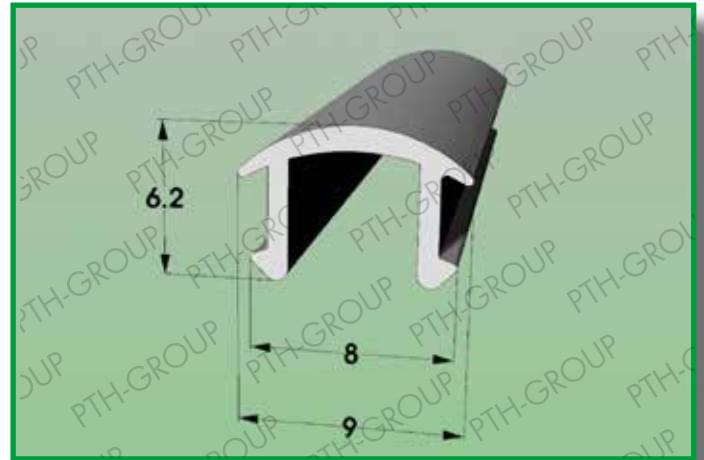
**Profile 1010.211**

**Material: POLYCARBONATE CLEAR / OPAL**



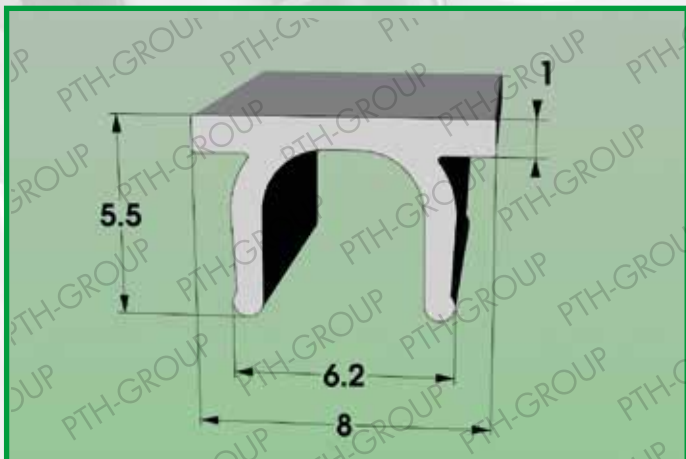
**Profile 1010.92**

**Material: POLYCARBONATE CLEAR / OPAL**



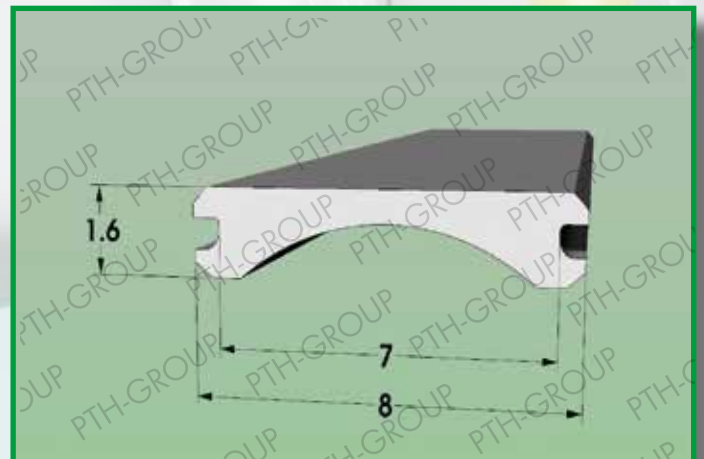
**Profile 1010.450**

**Material: POLYCARBONATE CLEAR / OPAL**



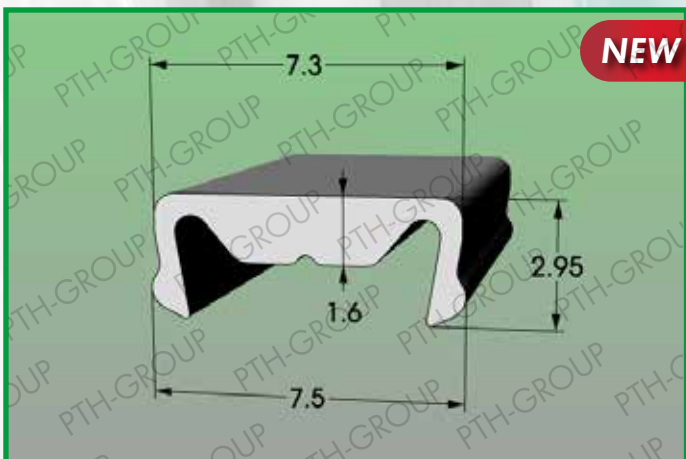
**Profile 1010.139**

**Material: POLYCARBONATE CLEAR / OPAL**



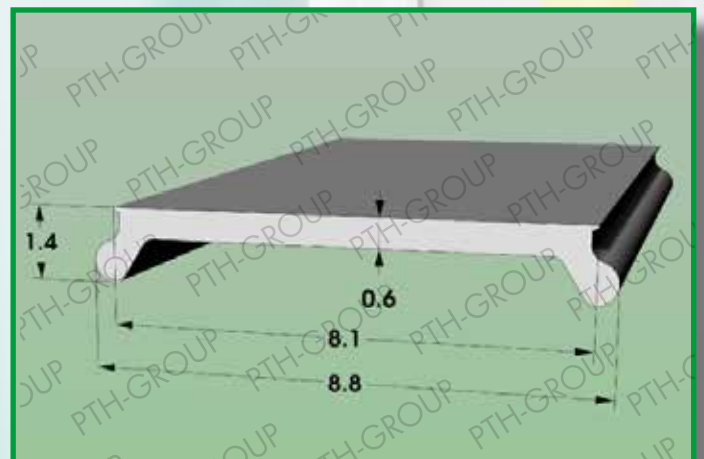
**Profile 1010.524**

**Material: POLYCARBONATE CLEAR / OPAL**



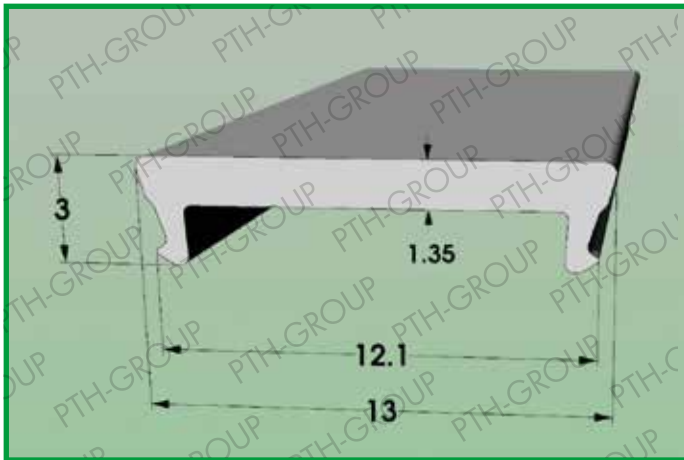
**Profile 1010.504**

**Material: POLYCARBONATE CLEAR / OPAL**



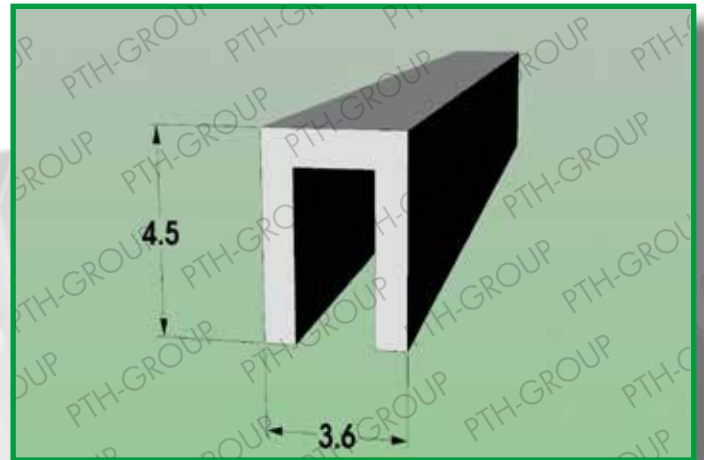
**Profile 1010.402**

**Material: POLYCARBONATE CLEAR / OPAL  
PMMA CLEAR / SATIN**



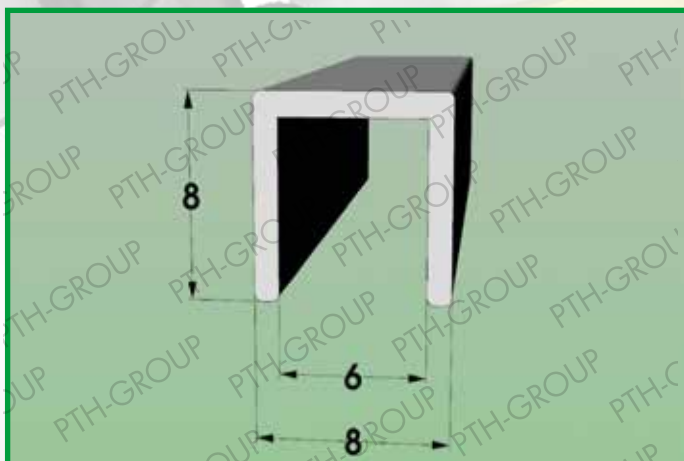
**Profile 1010.88**

**Material: POLYCARBONATE CLEAR / OPAL**



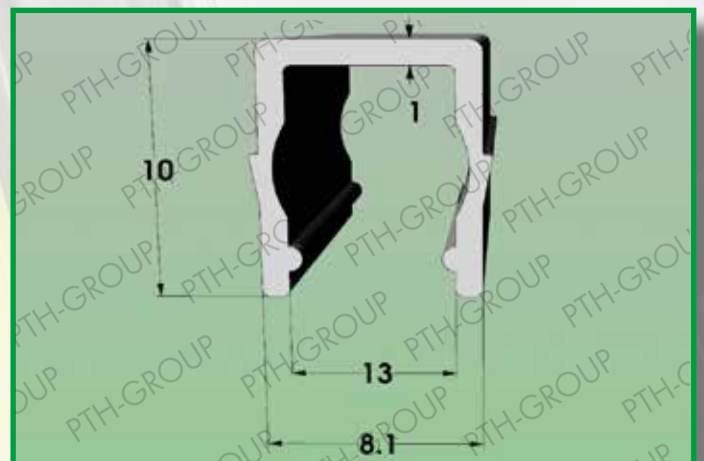
**Profile 1010.302**

**Material: PMMA CLEAR / SATIN**



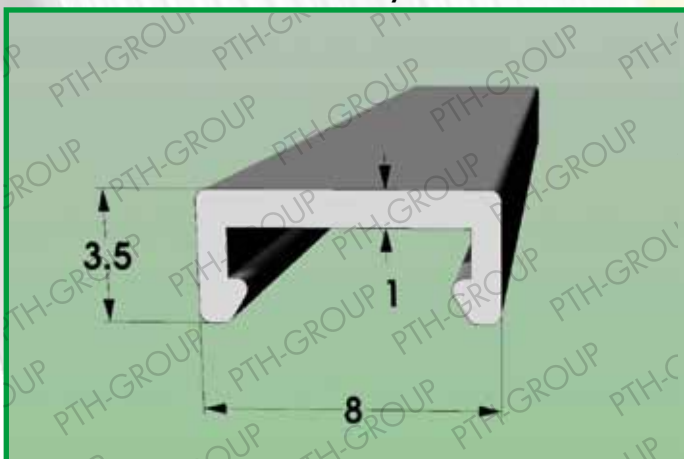
**Profile 1010.288**

**Material: POLYCARBONATE**



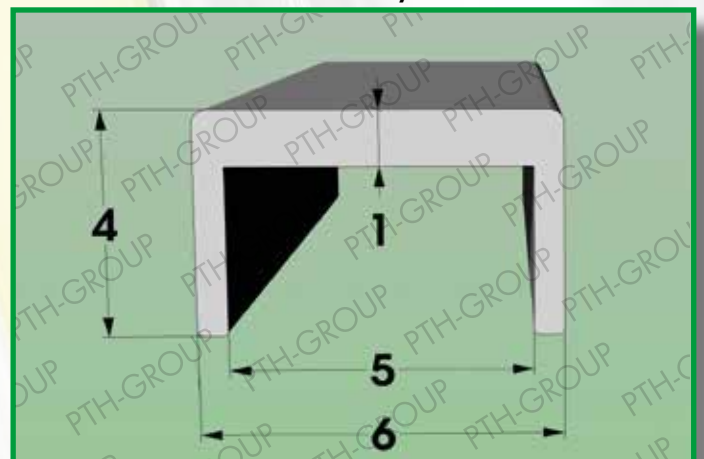
**Profile 1010.406**

**Material: POLYCARBONATE CLEAR / OPAL  
PMMA CLEAR / SATIN**



**Profile 1010.509**

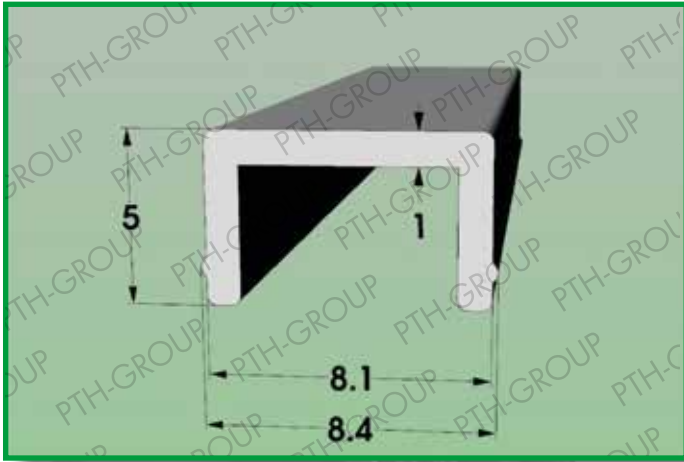
**Material: POLYCARBONATE CLEAR / OPAL  
PMMA CLEAR / OPAL**





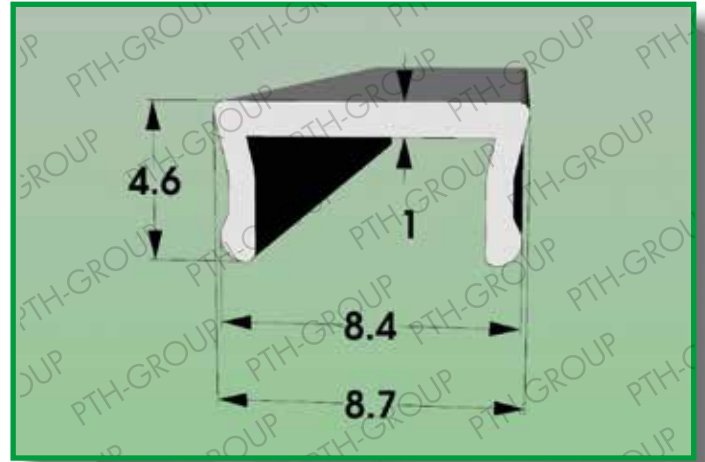
**Profile 1010.344**

**Material: POLYCARBONATE CLEAR / OPAL / SATIN SBB  
PMMA CLEAR / SATIN**



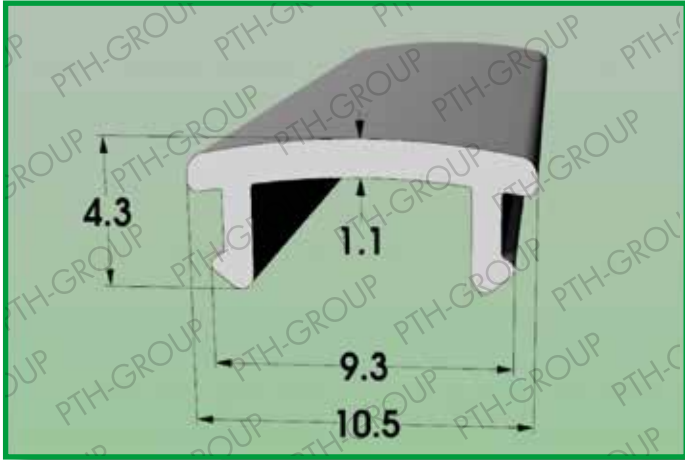
**Profile 1010.392**

**Material: POLYCARBONATE CLEAR / OPAL  
PMMA CLEAR / SATIN**



**Profile 1010.132**

**Material: POLYCARBONATE CLEAR / OPAL  
PMMA CLEAR / SATIN**



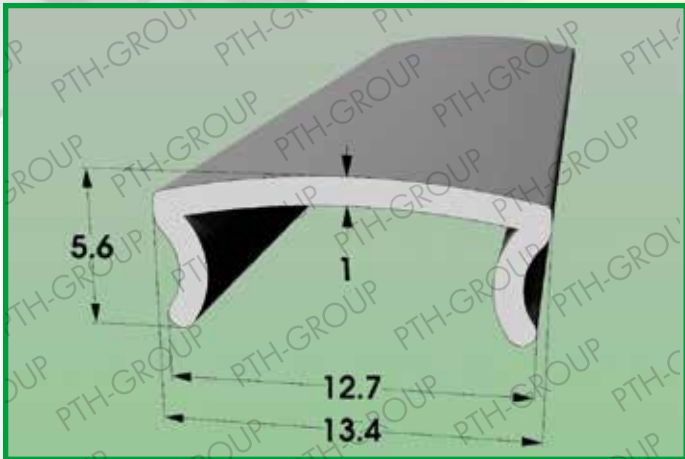
**Profile 1010.415**

**Material: POLYCARBONATE CLEAR / OPAL**



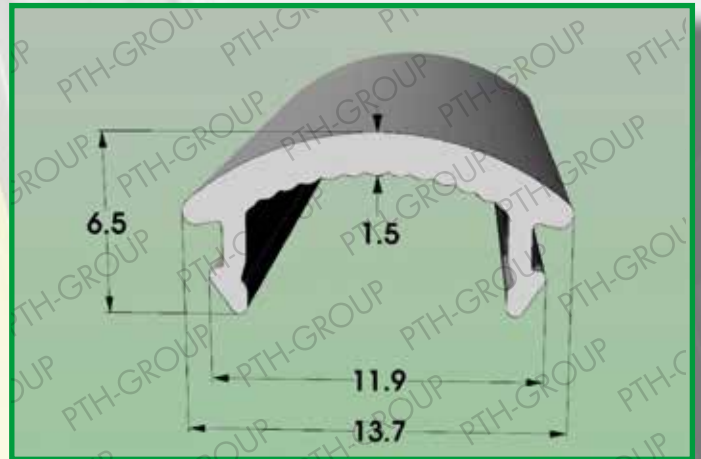
**Profile 1010.388**

**Material: POLYCARBONATE CLEAR / OPAL  
PMMA CLEAR / SATIN**

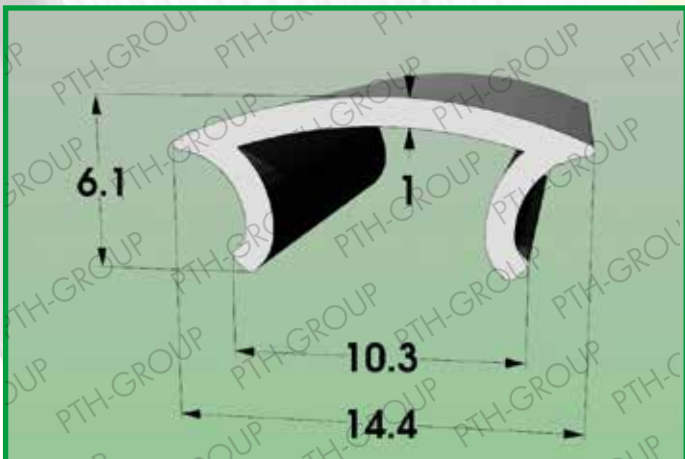


**Profile 1010.143**

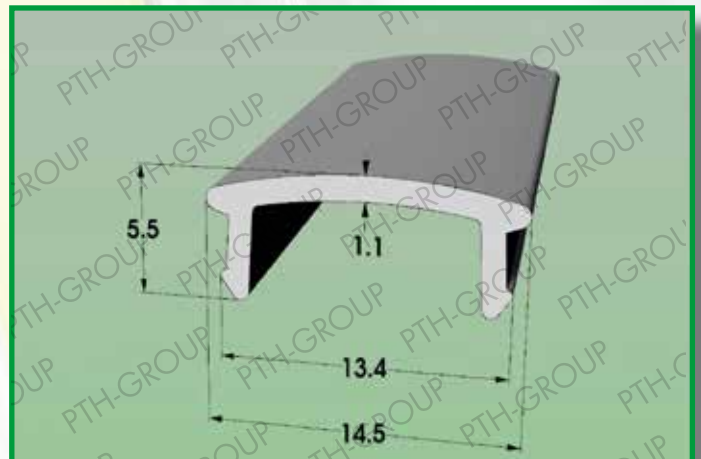
**Material: POLYCARBONATE CLEAR / OPAL**



**Profile 1010.225**  
**Material: POLYCARBONATE**

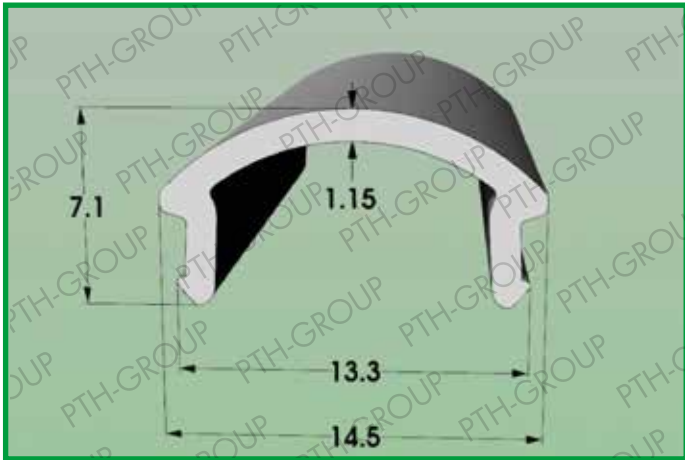


**Profile 1010.54**  
**Material: POLYCARBONATE CLEAR/OPAL/SATIN SBB  
PMMA SATIN**



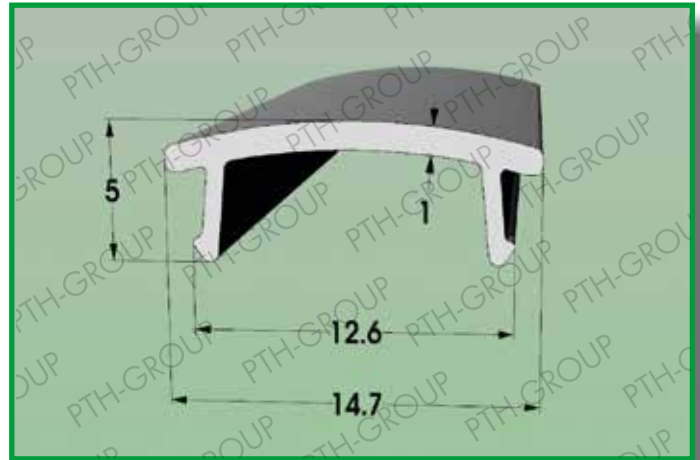
**Profile 1010.140**

**Material: POLYCARBONATE CLEAR / OPAL  
PMMA CLEAR / SATIN**



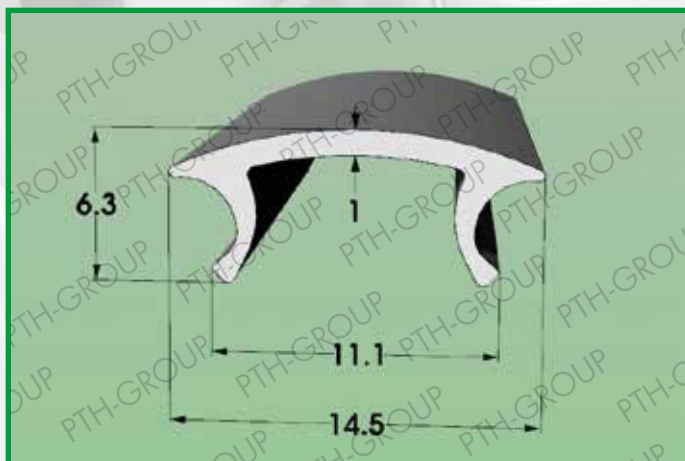
**Profile 1010.213**

**Material: POLYCARBONATE CLEAR / OPAL  
PMMA CLEAR / SATIN**



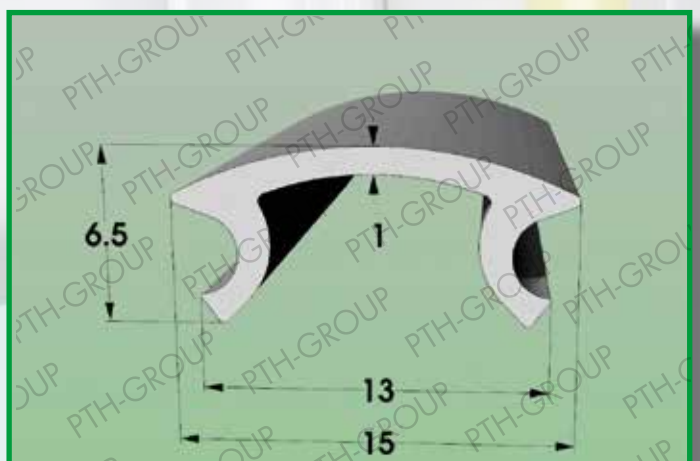
**Profile 1010.299**

**Material: POLYCARBONATE CLEAR / OPAL**



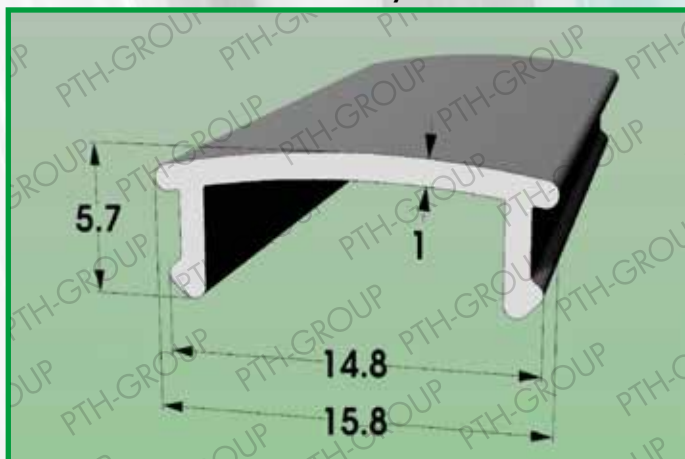
**Profile 1010.399**

**Material: POLYCARBONATE CLEAR / OPAL**



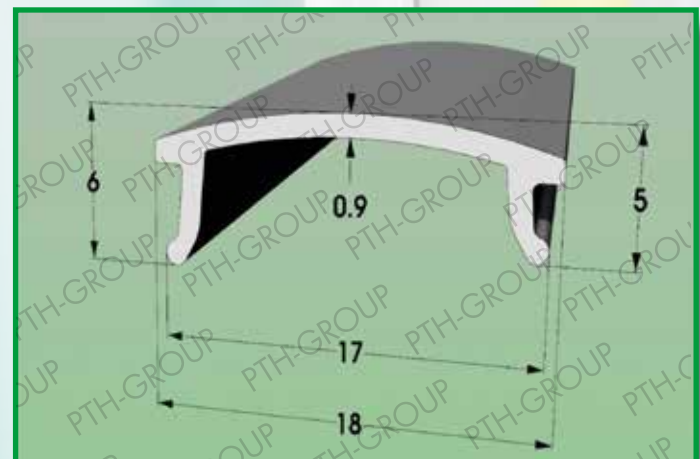
**Profile 1010.349**

**Material: POLYCARBONATE CLEAR / OPAL  
PMMA CLEAR / SATIN**



**Profile 1010.47**

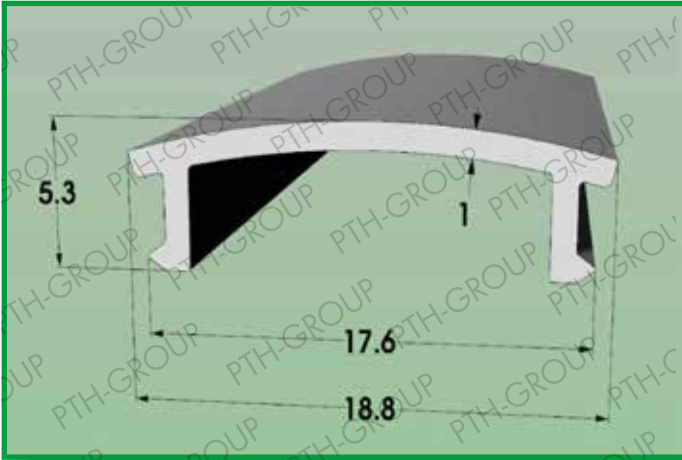
**Material: POLYCARBONATE CLEAR/OPAL/SATIN SBB**





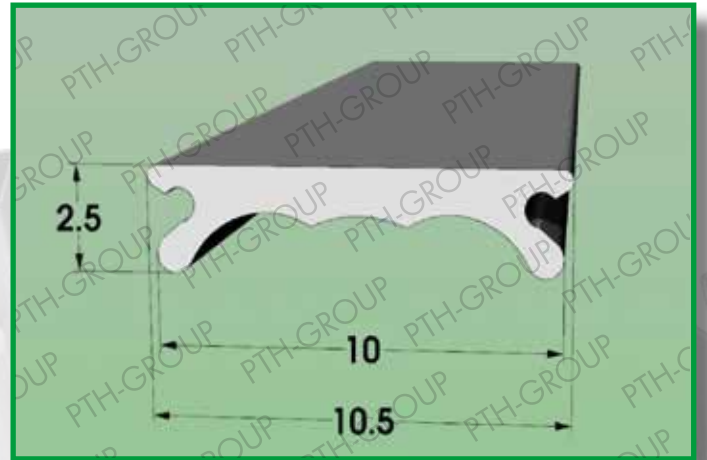
**Profile 1010.149**

**Material: POLYCARBONATE CLEAR / OPAL  
PMMA CLEAR / SATIN**



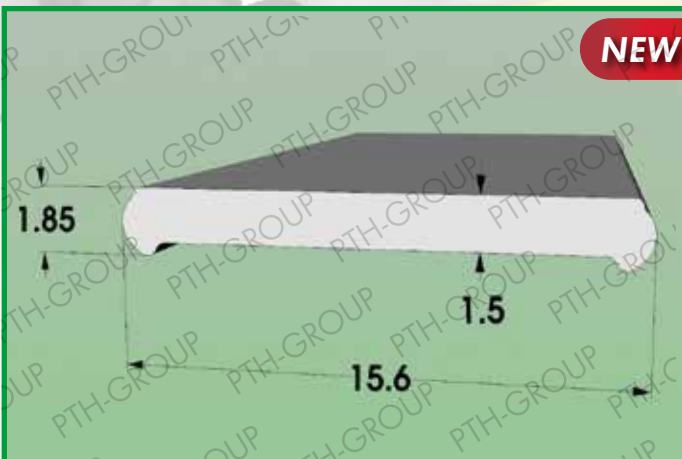
**Profile 1010.153**

**Material: POLYCARBONATE CLEAR / OPAL**



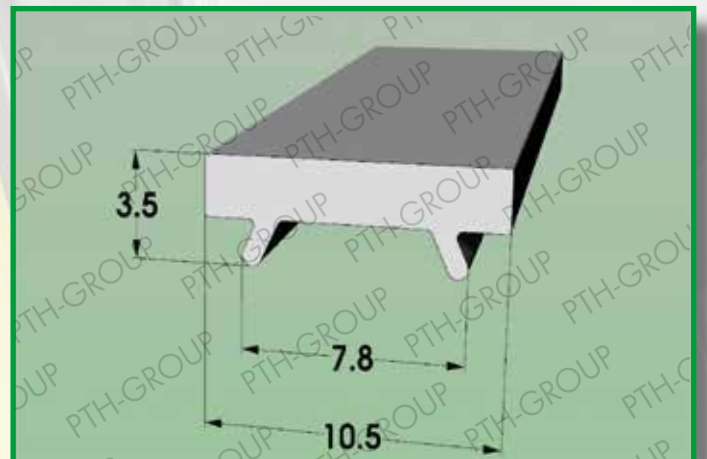
**Profile 1010.421**

**Material: POLYCARBONATE CLEAR / OPAL**



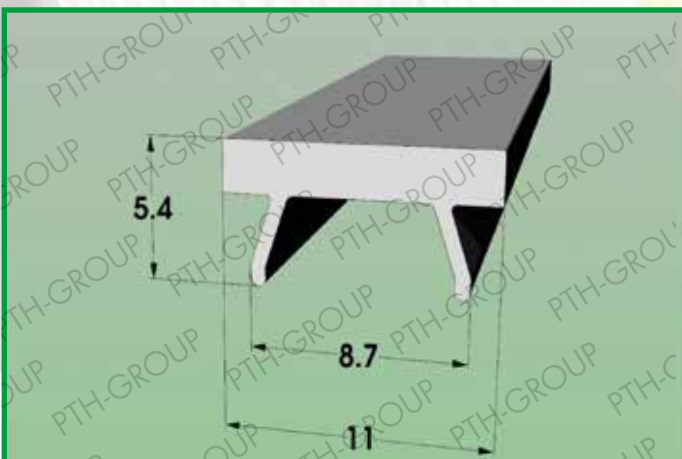
**Profile 1010.273**

**Material: POLYCARBONATE CLEAR / OPAL**



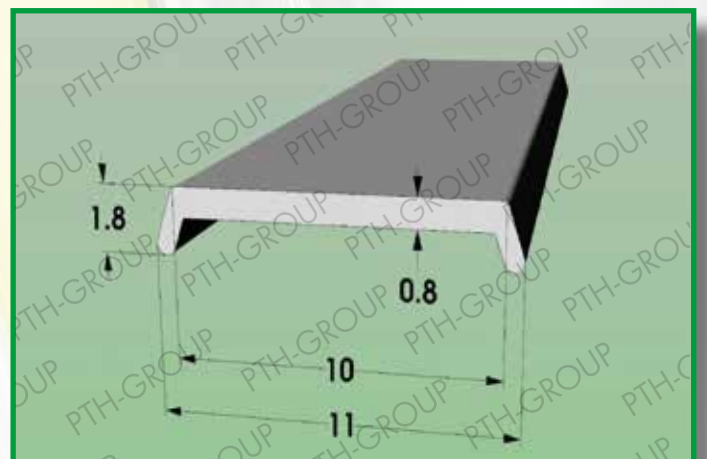
**Profile 1010.261**

**Material: POLYCARBONATE CLEAR / OPAL**



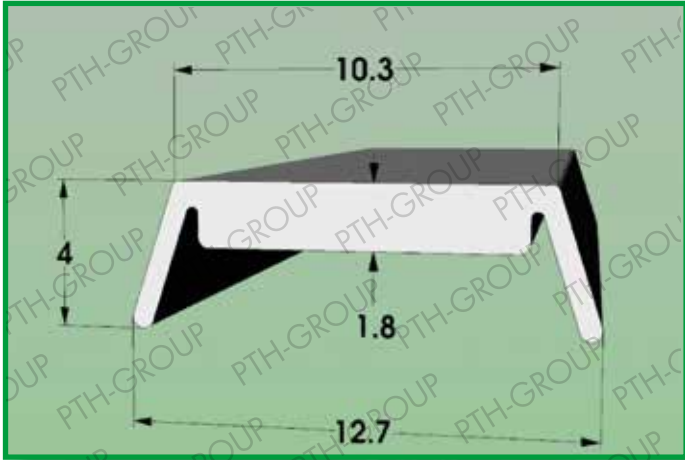
**Profile 1010.315**

**Material: POLYCARBONATE CLEAR/OPAL/SATIN SBB**



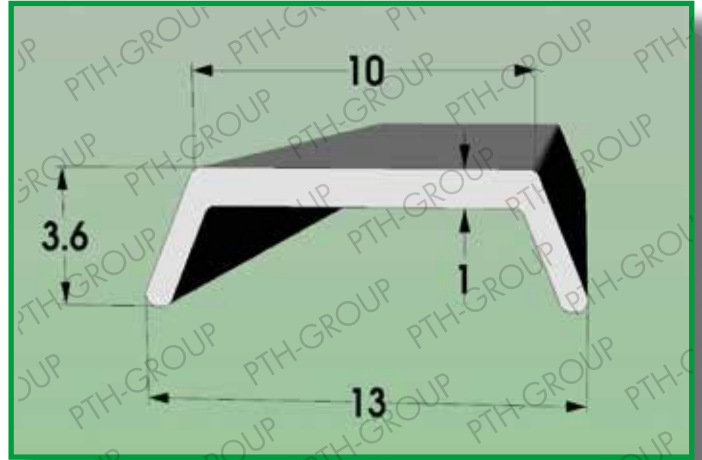
**Profile 1010.144**

**Material: POLYCARBONATE CLEAR / OPAL**



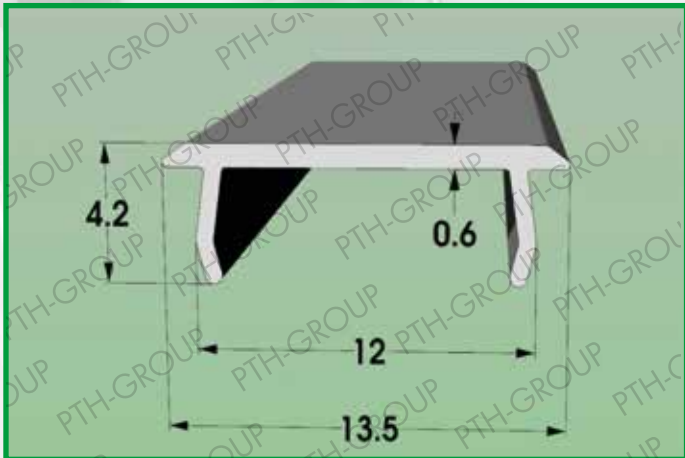
**Profile 1010.142**

**Material: POLYCARBONATE CLEAR / OPAL**



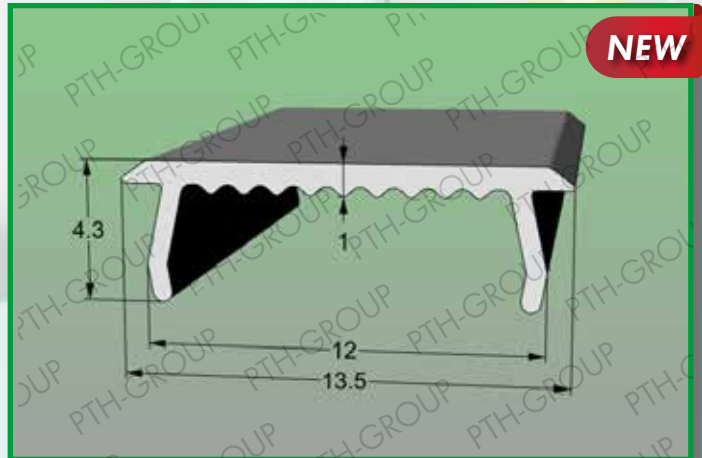
**Profile 1010.177**

**Material: POLYCARBONATE CLEAR / OPAL**



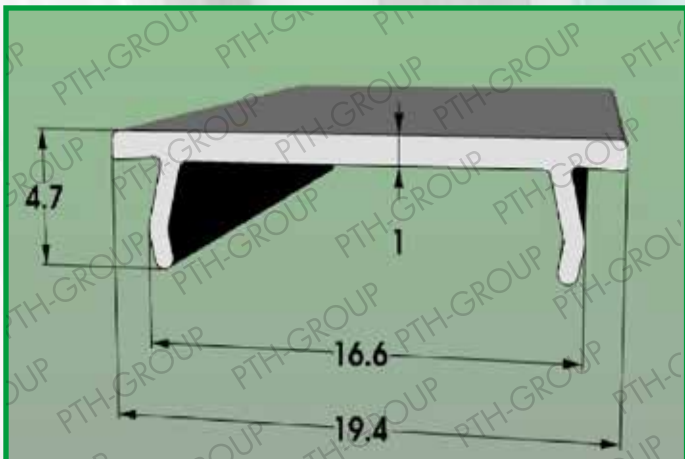
**Profile 1010.533**

**Material: POLYCARBONATE CLEAR / OPAL / SATIN SBB  
PMMA CLEAR / SATIN**



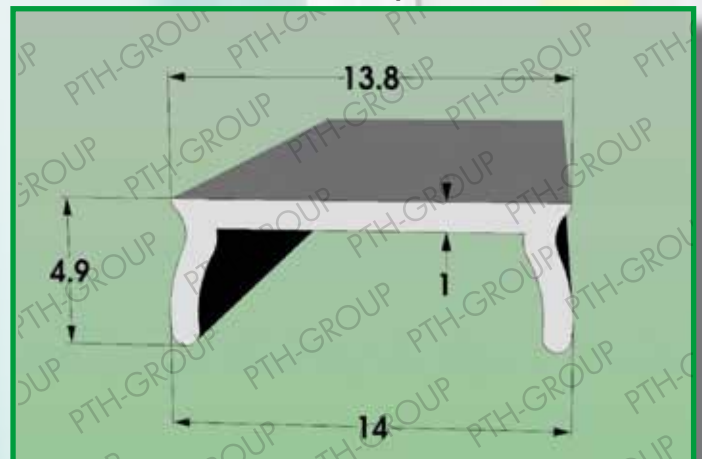
**Profile 1010.489**

**Material: POLYCARBONATE CLEAR / OPAL / SATIN SBB**



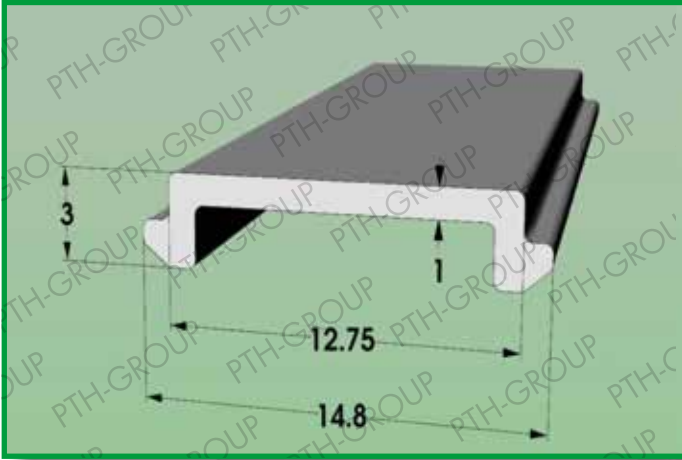
**Profile 1010.141**

**Material: POLYCARBONATE CLEAR / OPAL  
PMMA CLEAR / SATIN**



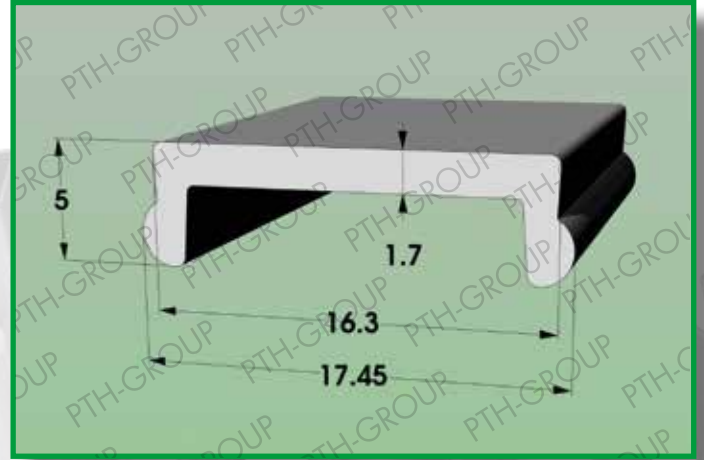
**Profile 1010.120**

**Material: POLYCARBONATE CLEAR / OPAL**



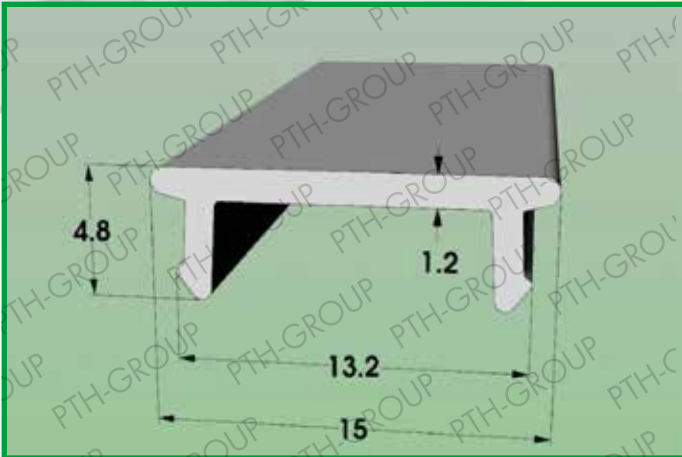
**Profile 1010.511**

**Material: POLYCARBONATE CLEAR / OPAL**



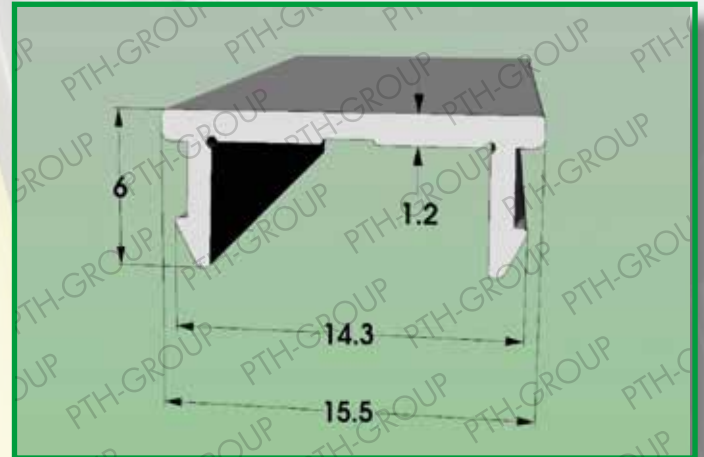
**Profile 1010.175**

**Material: POLYCARBONATE CLEAR / OPAL  
PMMA CLEAR / SATIN**



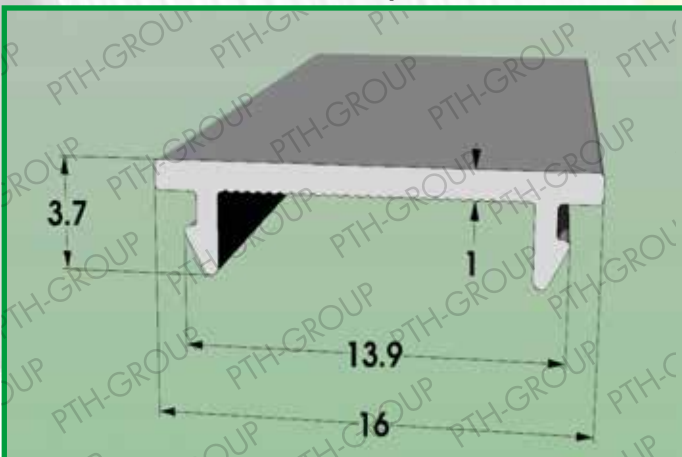
**Profile 1010.291**

**Material : POLYCARBONATE CLEAR / OPAL**



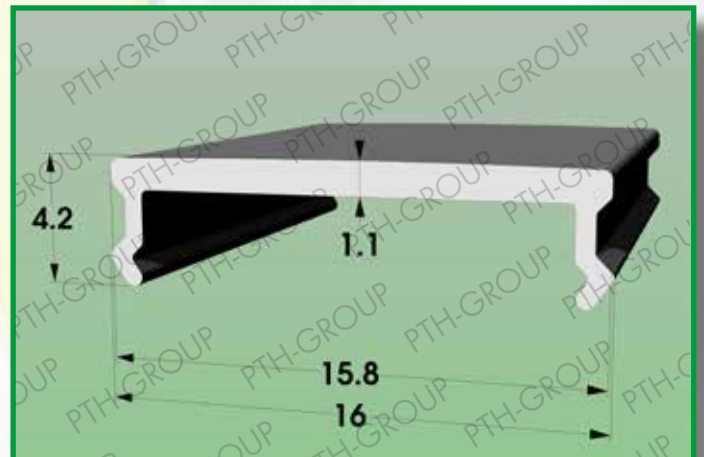
**Profile 1010.156**

**Material: POLYCARBONATE CLEAR / OPAL  
PMMA CLEAR / SATIN**



**Profile 1010.475**

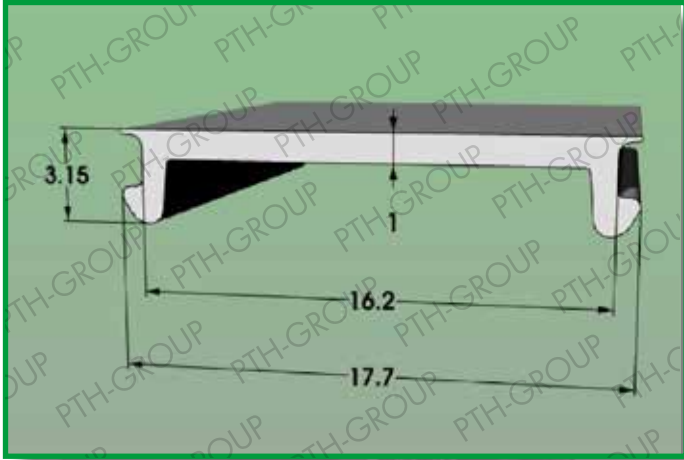
**Material: POLYCARBONATE CLEAR / OPAL / SATIN SBB  
PMMA SATIN**





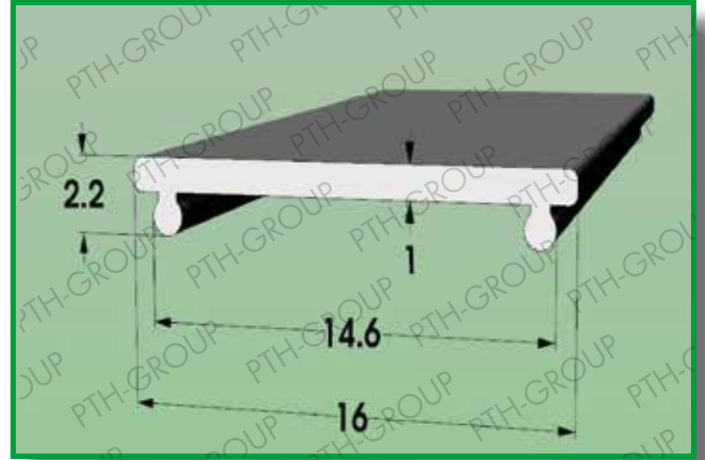
**Profile 1010.496**

**Material: POLYCARBONATE CLEAR / OPAL / SATIN SBB  
PMMA SATIN**



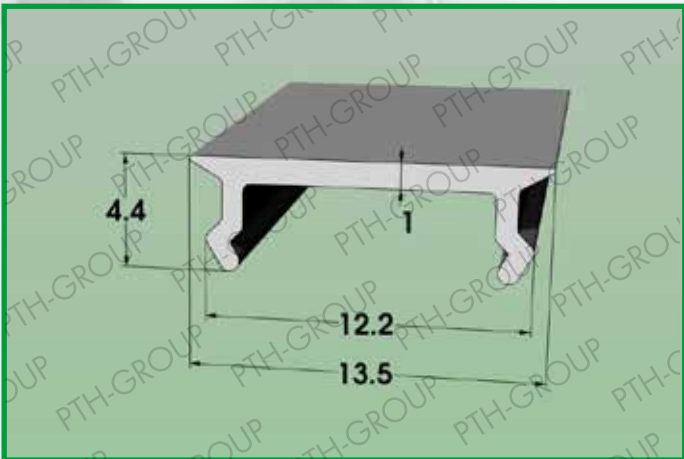
**Profile 1010.365**

**Material: POLYCARBONATE CLEAR / OPAL / SATIN SBB**



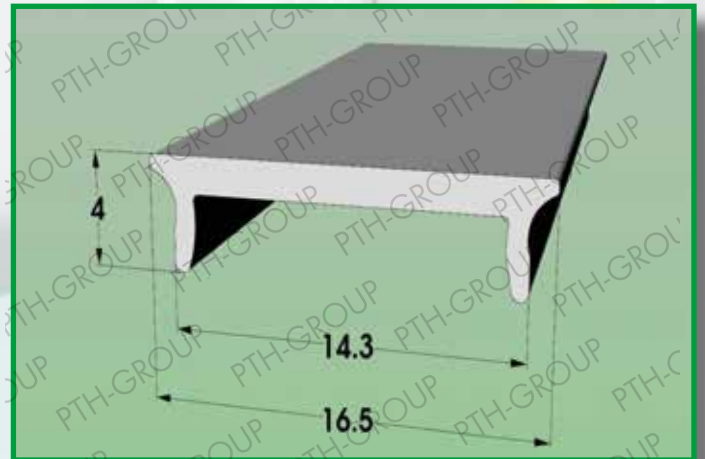
**Profile 1010.457**

**Material: POLYCARBONATE CLEAR / OPAL / SATIN SBB**



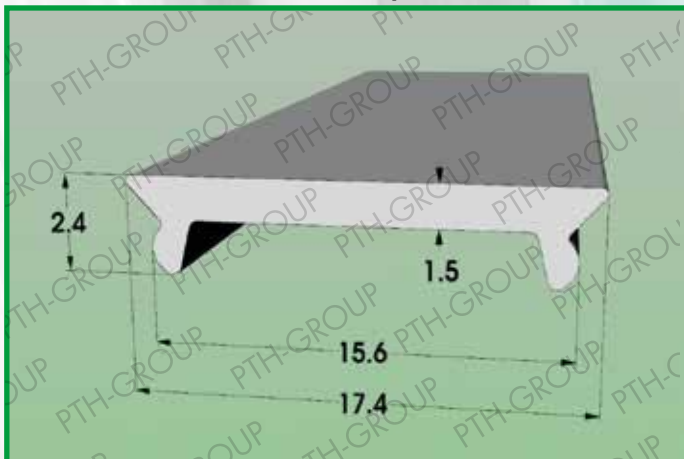
**Profile 1010.275**

**Material: POLYCARBONATE CLEAR / OPAL  
PMMA CLEAR / SATIN**



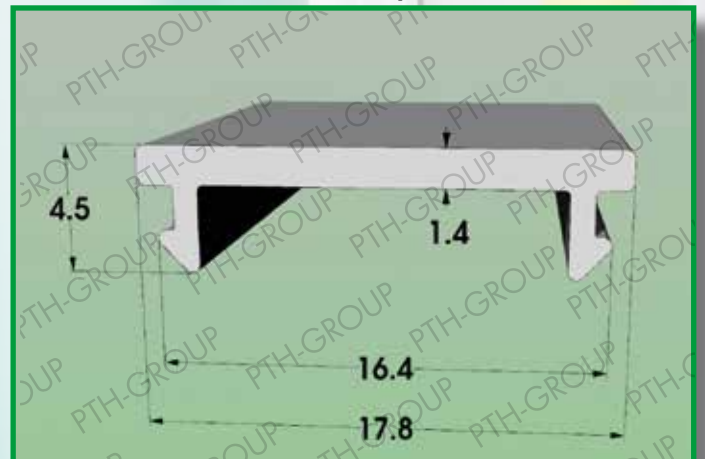
**Profile 1010.420**

**Material: POLYCARBONATE CLEAR / OPAL  
PMMA CLEAR / SATIN**



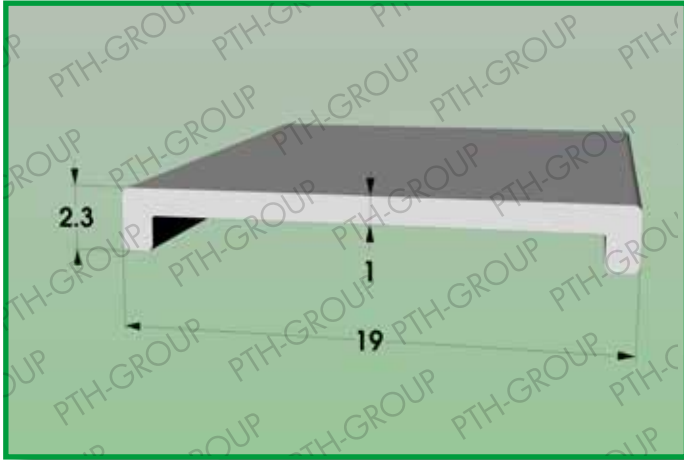
**Profile 1010.428**

**Material: POLYCARBONATE CLEAR / OPAL  
PMMA CLEAR / SATIN**



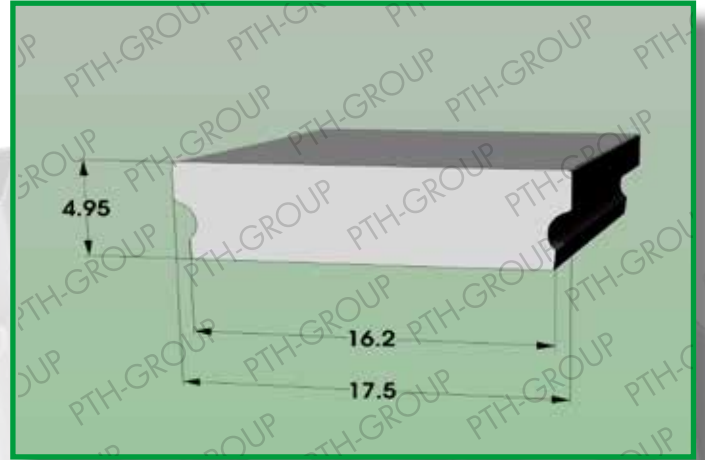
**Profile 1010.479**

**Material: POLYCARBONATE CLEAR / OPAL / SATIN SBB**



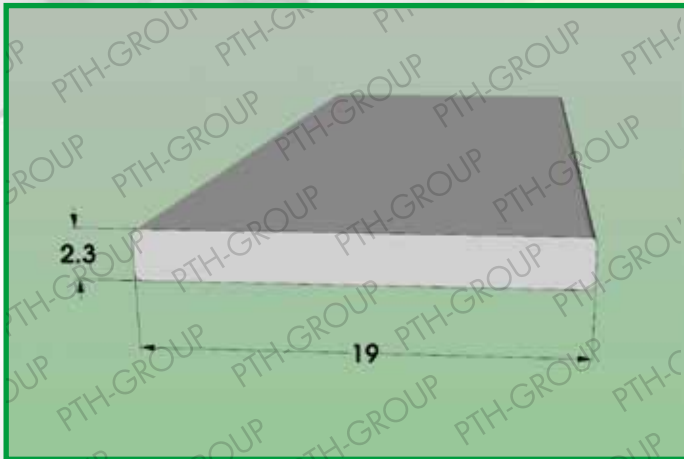
**Profile 1010.501**

**Material: POLYCARBONATE CLEAR / OPAL / SATIN SBB  
PMMA CLEAR / SATIN**



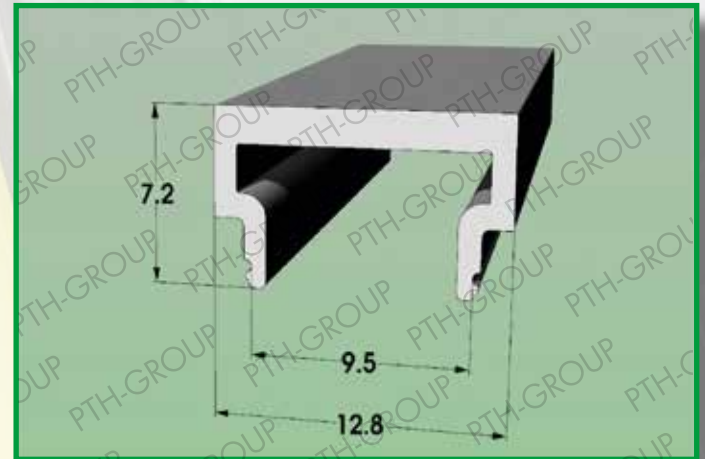
**Profile 1010.411**

**Material: POLYCARBONATE CLEAR / OPAL**



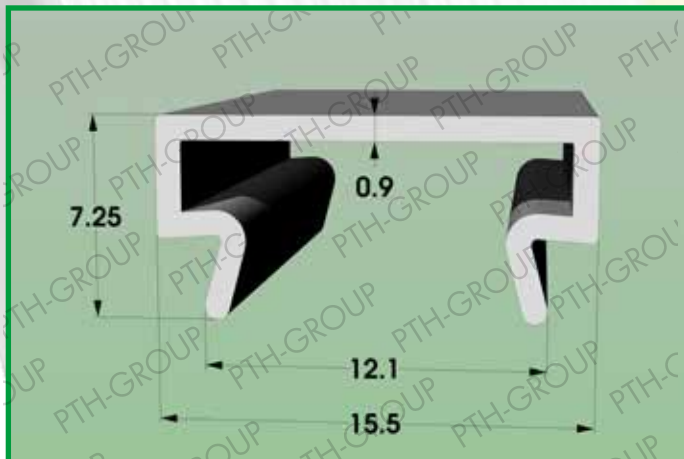
**Profile 1010.267**

**Material: POLYCARBONATE CLEAR / OPAL  
PMMA CLEAR / SATIN**



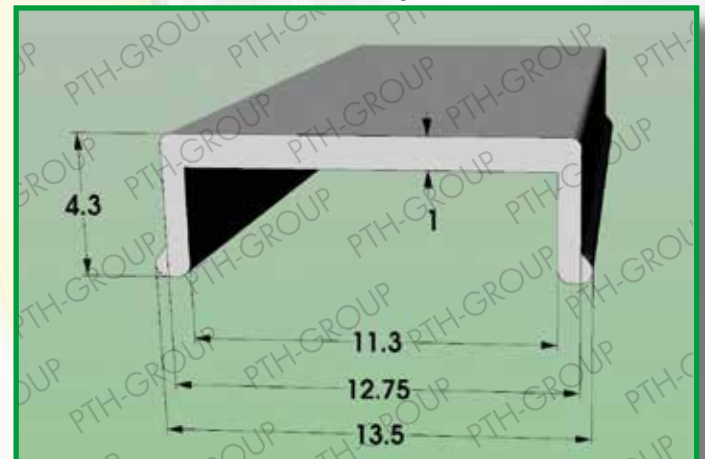
**Profile 1010.480**

**Material: POLYCARBONATE CLEAR / OPAL / SATIN SBB**



**Profile 1010.403**

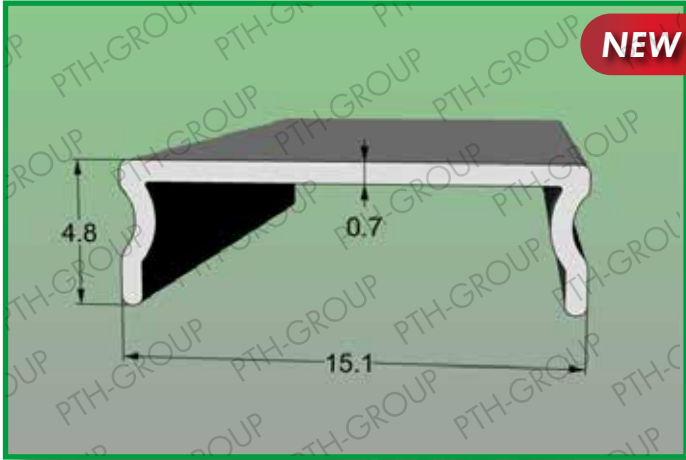
**Material: POLYCARBONATE CLEAR / OPAL  
PMMA CLEAR / SATIN**



**Profile 1010.532**

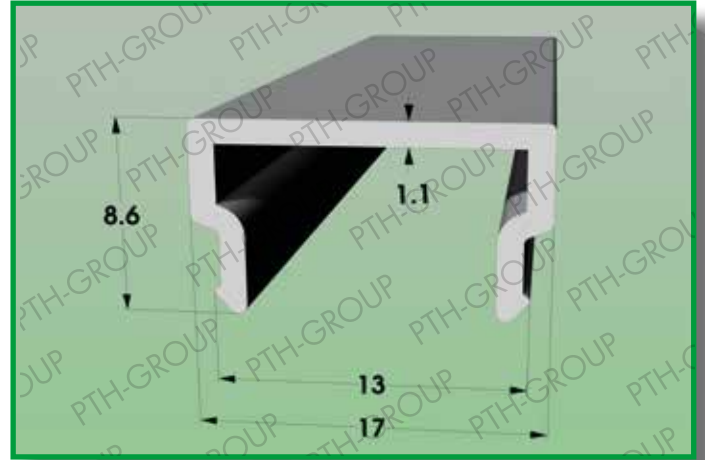
**Material: POLYCARBONATE CLEAR / OPAL / SATIN SBB  
PMMA CLEAR / SATIN**

**NEW**



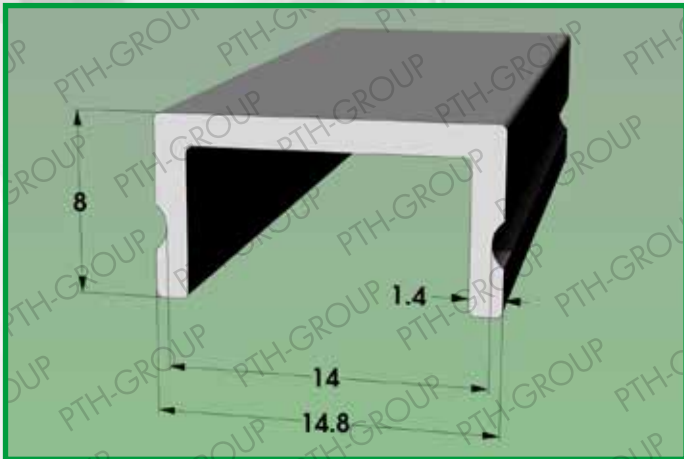
**Profile 1010.391**

**Material: POLYCARBONATE CLEAR / OPAL  
PMMA CLEAR / SATIN**



**Profile 1010.146**

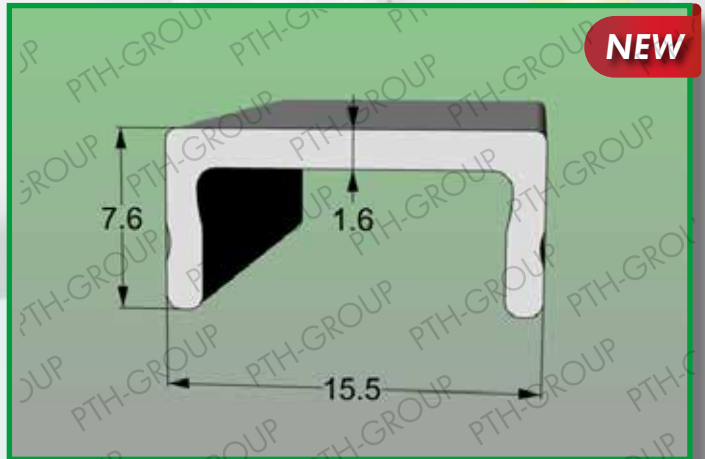
**Material: POLYCARBONATE CLEAR / OPAL / SATIN SBB  
PMMA SATIN**



**Profile 1010.529**

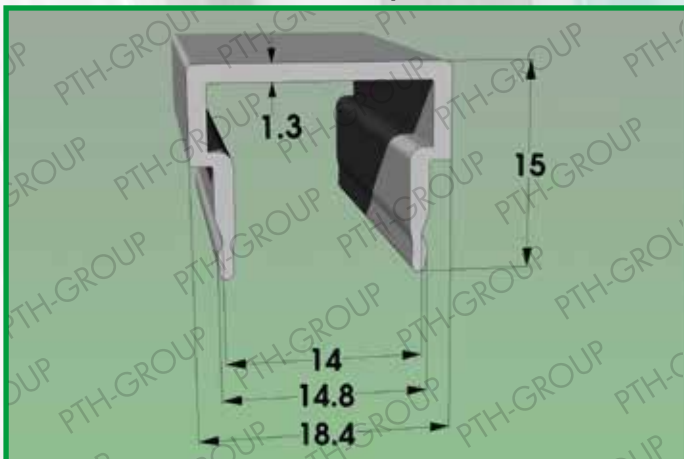
**Material: POLYCARBONATE CLEAR / OPAL / SATIN SBB  
PMMA CLEAR / SATIN**

**NEW**



**Profile 1010.337**

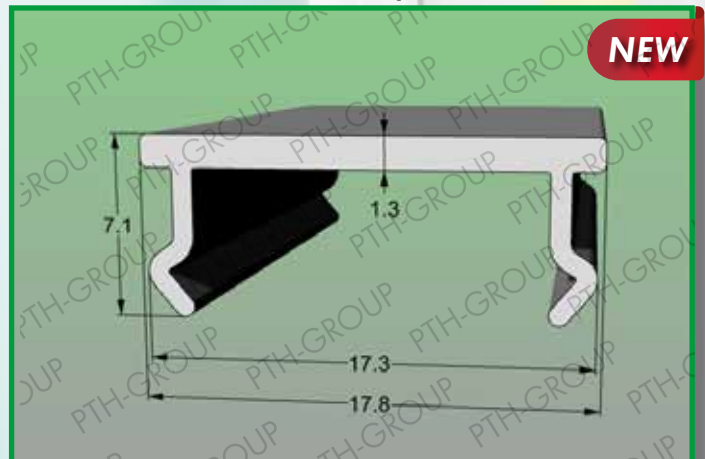
**Material: POLYCARBONATE CLEAR / OPAL  
PMMA CLEAR / SATIN**



**Profile 1010.535**

**Material: POLYCARBONATE CLEAR / OPAL / SATIN SBB  
PMMA CLEAR / SATIN**

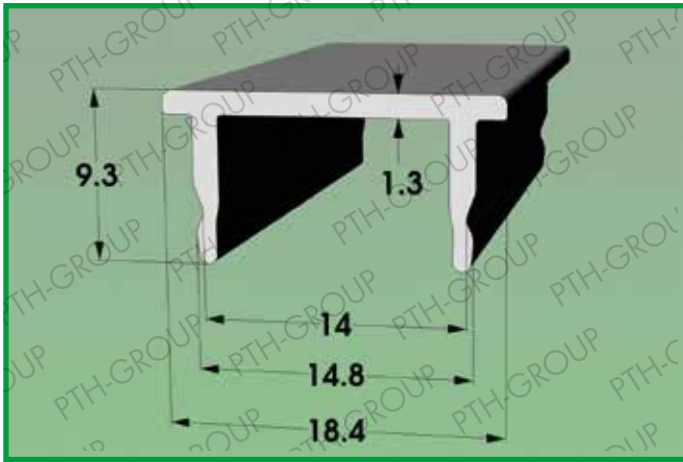
**NEW**





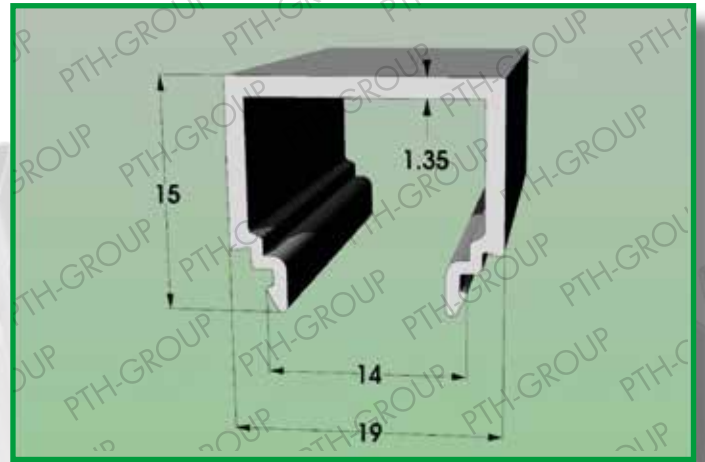
**Profile 1010.336**

**Material: POLYCARBONATE CLEAR / OPAL  
PMMA CLEAR / SATIN**



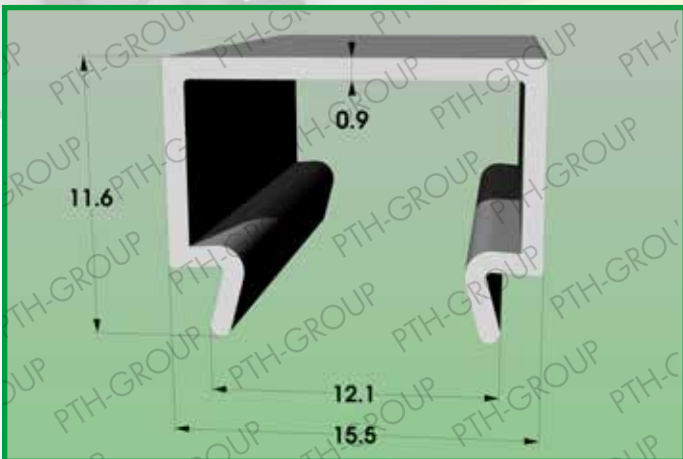
**Profile 1010.256**

**Material: POLYCARBONATE CLEAR / OPAL  
PMMA CLEAR / SATIN**



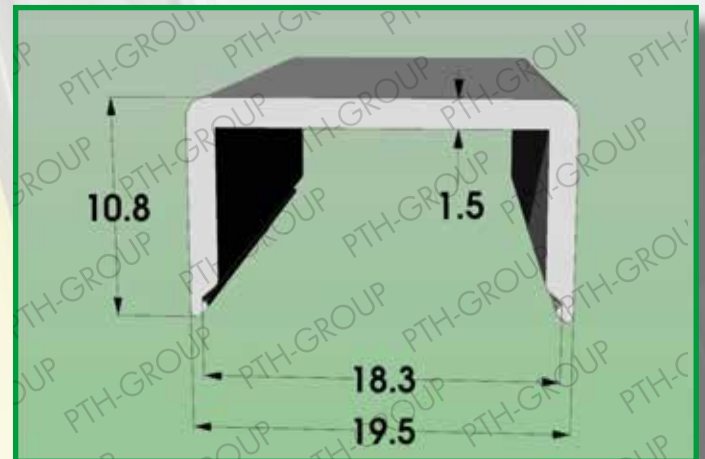
**Profile 1010.477**

**Material: POLYCARBONATE CLEAR / OPAL / SATIN SBB**



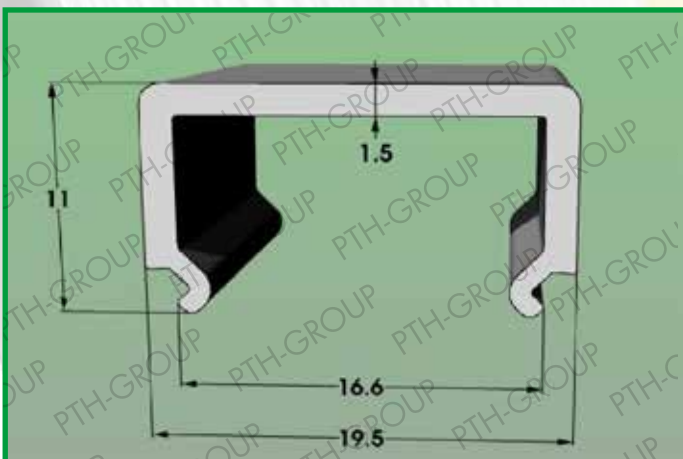
**Profile 1010.154**

**Material: POLYCARBONATE CLEAR / OPAL  
PMMA CLEAR / SATIN**



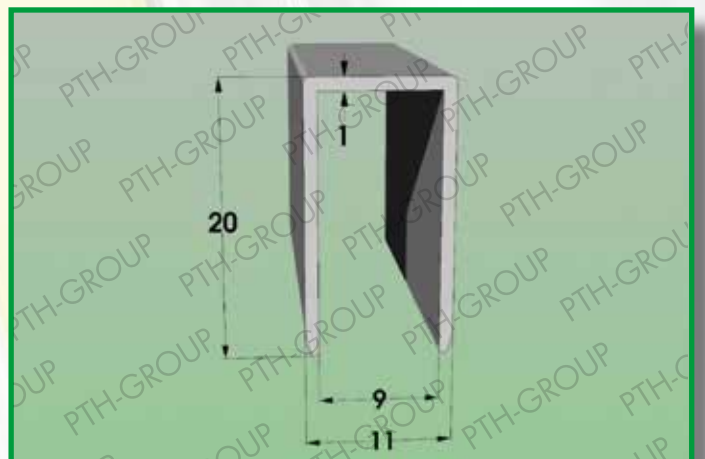
**Profile 1010.497**

**Material: POLYCARBONATE CLEAR / OPAL / SATIN SBB**



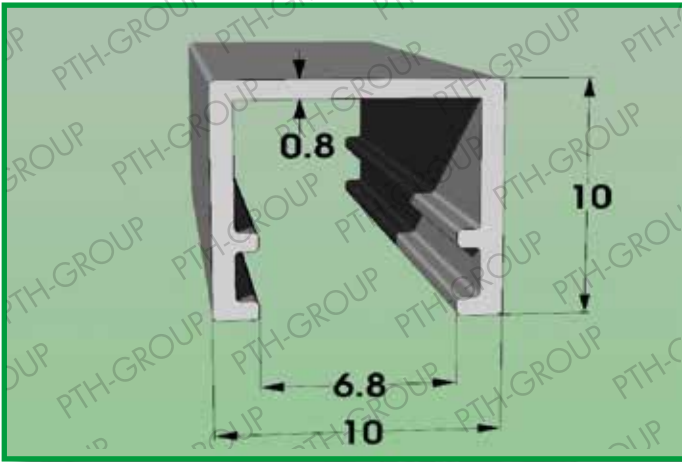
**Profile 1010.127**

**Material: POLYCARBONATE CLEAR / OPAL**



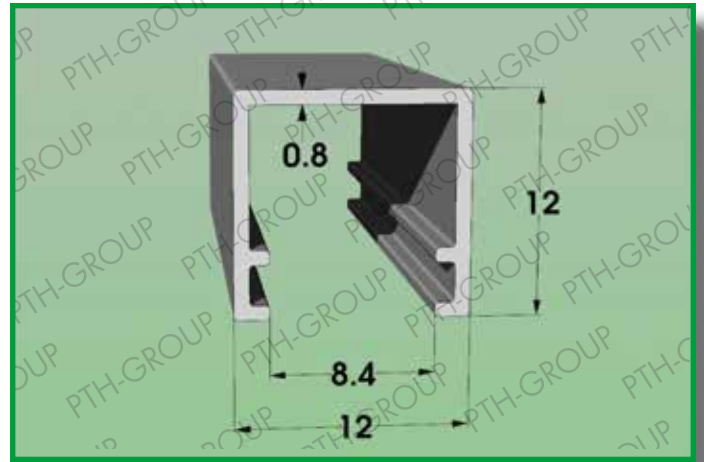
**Profile 1010.330**

**Material: POLYCARBONATE CLEAR / OPAL**



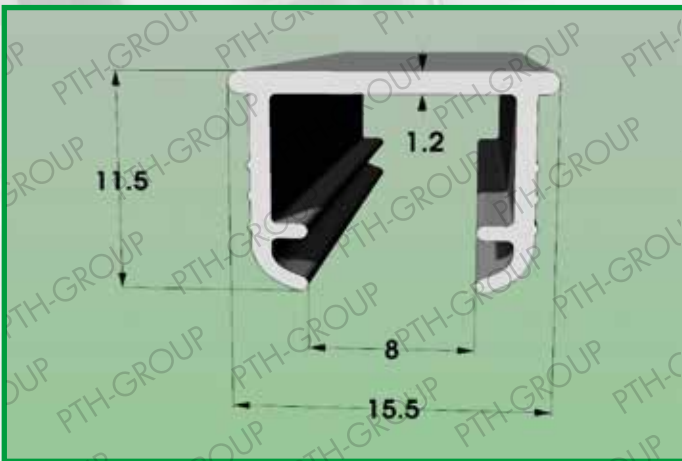
**Profile 1010.327**

**Material: POLYCARBONATE CLEAR / OPAL**



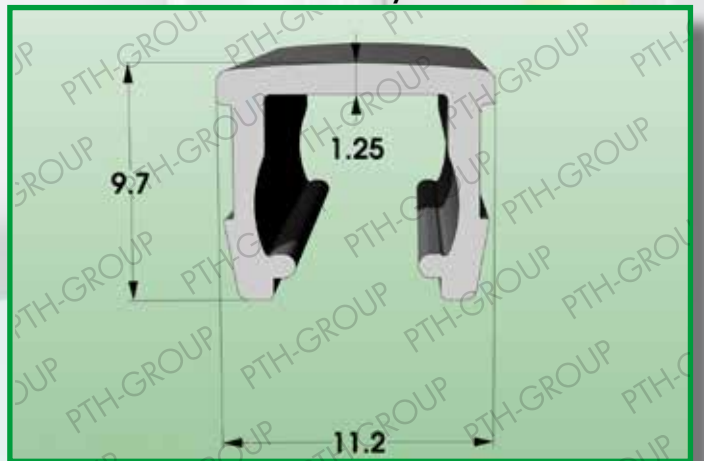
**Profile 1010.408**

**Material: POLYCARBONATE CLEAR / OPAL**



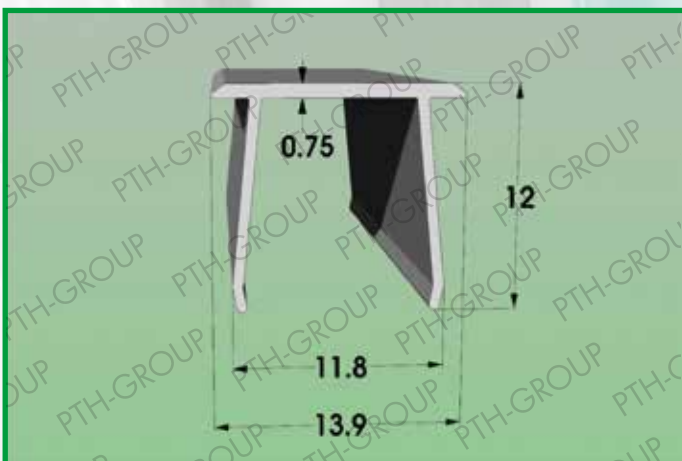
**Profile 1010.518**

**Material: POLYCARBONATE CLEAR / OPAL / SATIN SBB  
PMMA CLEAR / SATIN**



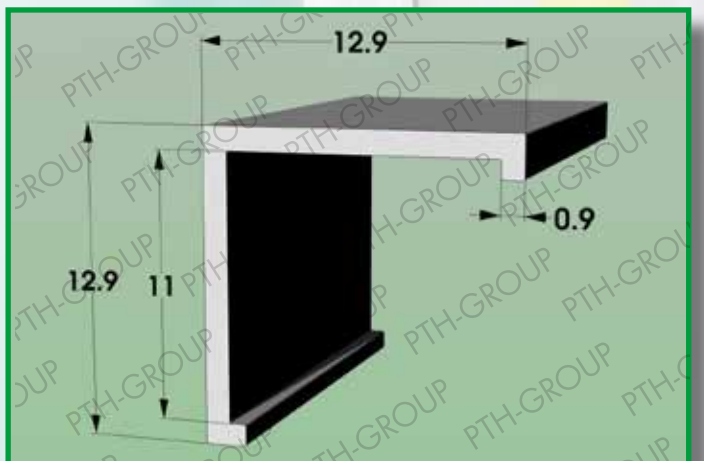
**Profile 1010.329**

**Material: POLYCARBONATE CLEAR / OPAL**

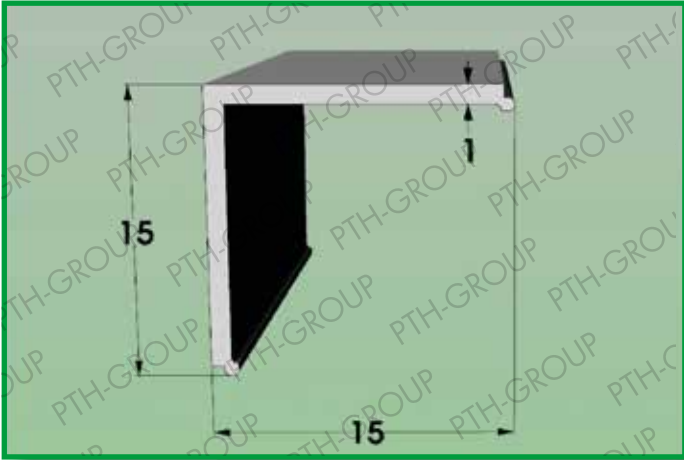


**Profile 1010.502**

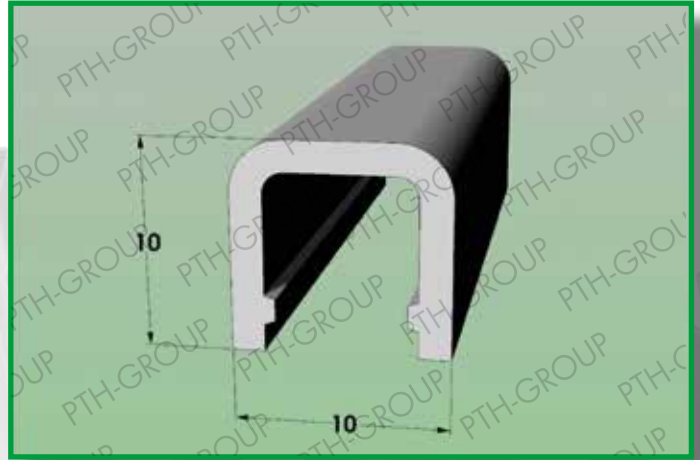
**Material: POLYCARBONATE CLEAR / OPAL**



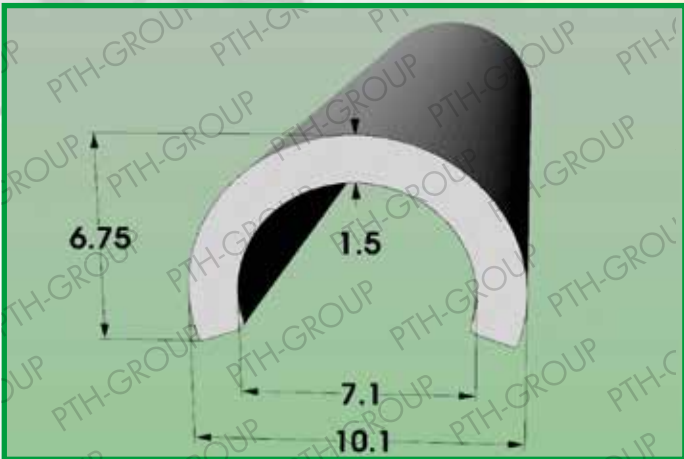
**Profile 1010.281**  
**Material: PMMA CLEAR / SATIN**



**Profile 1010.55**  
**Material: POLYCARBONATE CLEAR / OPAL**  
**PMMA CLEAR / SATIN**



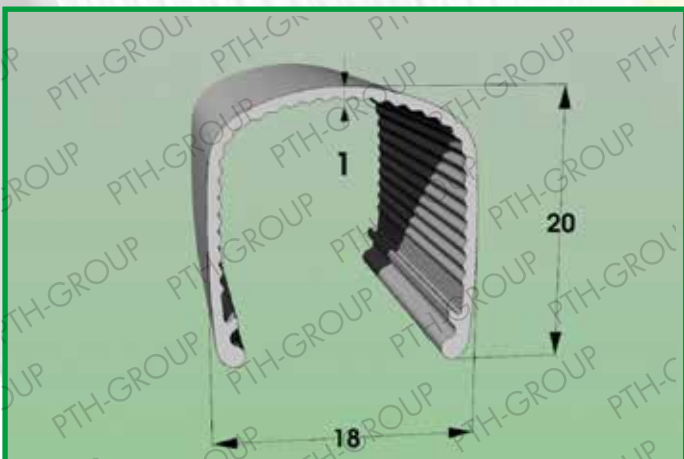
**Profile 1010.389**  
**Material: POLYCARBONATE CLEAR / OPAL**  
**PMMA CLEAR / SATIN**



**Profile 1010.252**  
**Material: POLYCARBONATE CLEAR / OPAL**



**Profile 1010.05**  
**Material: POLYCARBONATE CLEAR / OPAL**



**Profile 1010.447**  
**Material: POLYCARBONATE CLEAR / OPAL / SATIN SBB**





**Profile 1010.239**

**Material: POLYCARBONATE CLEAR / OPAL**



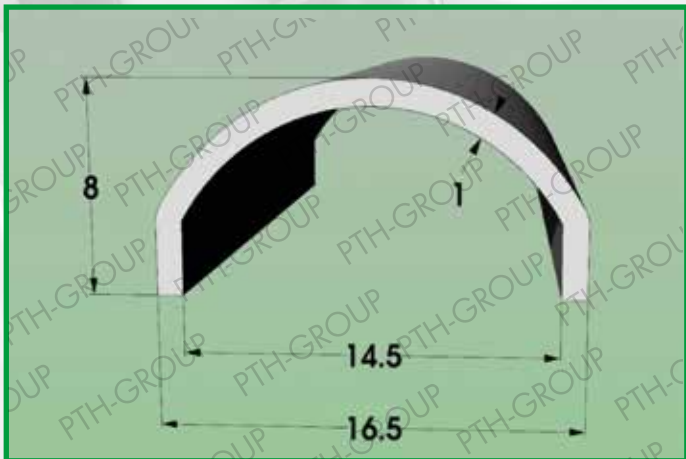
**Profile 1010.505**

**Material: POLYCARBONATE CLEAR / OPAL / SATIN**



**Profile 1010.233**

**Material: POLYCARBONATE CLEAR / OPAL  
PMMA CLEAR / SATIN**



**Profile 1010.437**

**Material: POLYCARBONATE CLEAR / OPAL**



**Profile 1010.478**

**Material: POLYCARBONATE CLEAR / OPAL**



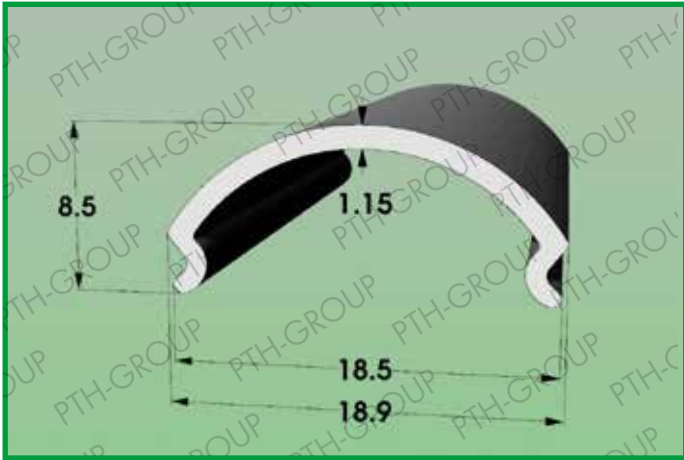
**Profile 1010.246**

**Material: POLYCARBONATE CLEAR / OPAL  
PMMA CLEAR / SATIN**



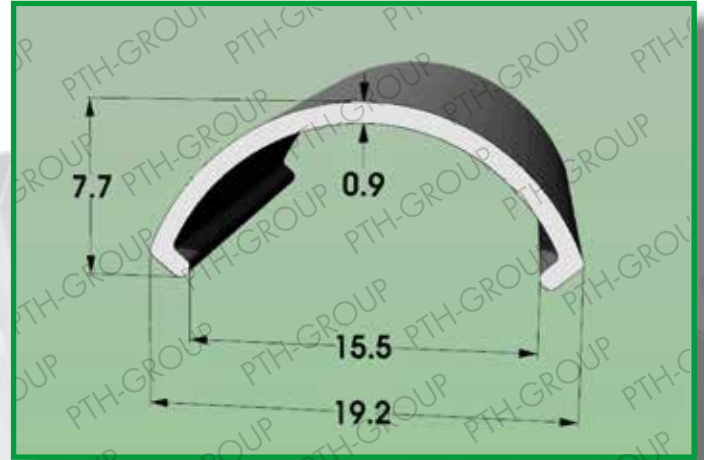
**Profile 1010.397**

**Material: POLYCARBONATE CLEAR / OPAL  
PMMA CLEAR / SATIN**



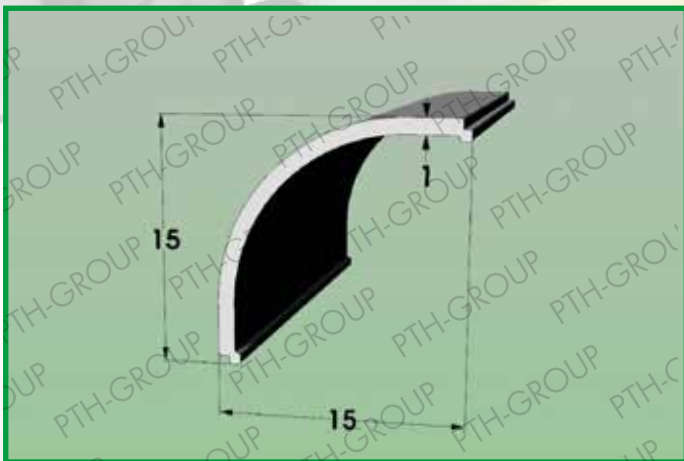
**Profile 1010.282**

**Material: POLYCARBONATE CLEAR / OPAL**



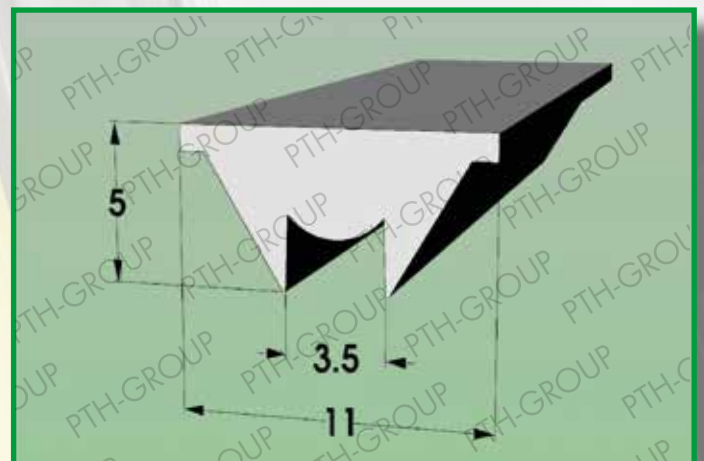
**Profile 1010.280**

**Material: POLYCARBONATE CLEAR / OPAL**

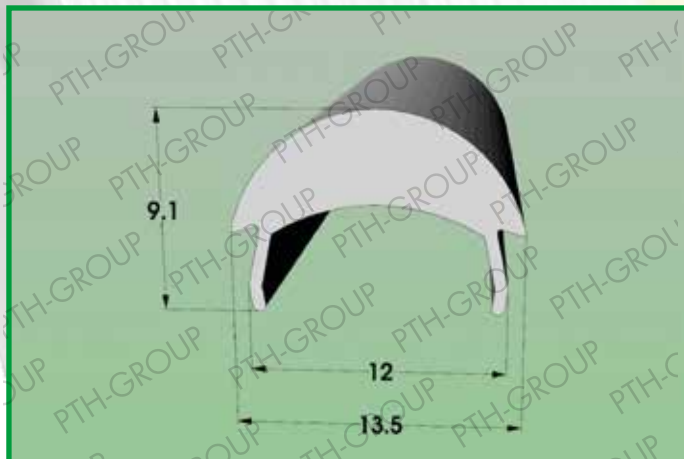


**Profile 1010.369**

**Material: PMMA CLEAR / SATIN**



**Profile 1010.178**  
**Material: POLYCARBONATE CLEAR  
PMMA CLEAR / SATIN**



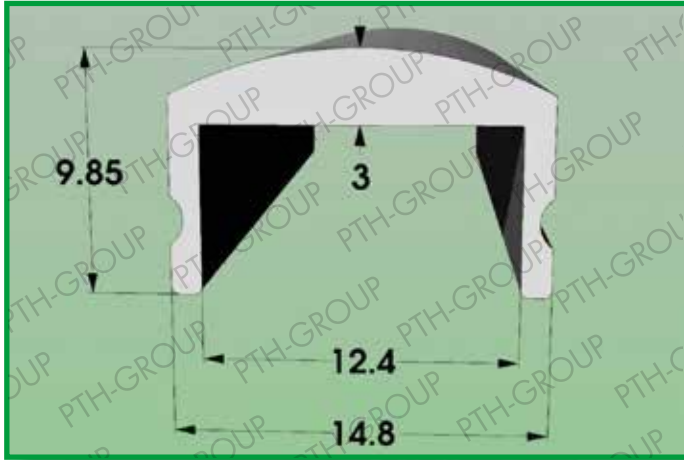
**Profile 1010.184**  
**Material: POLYCARBONATE CLEAR  
PMMA CLEAR / SATIN**





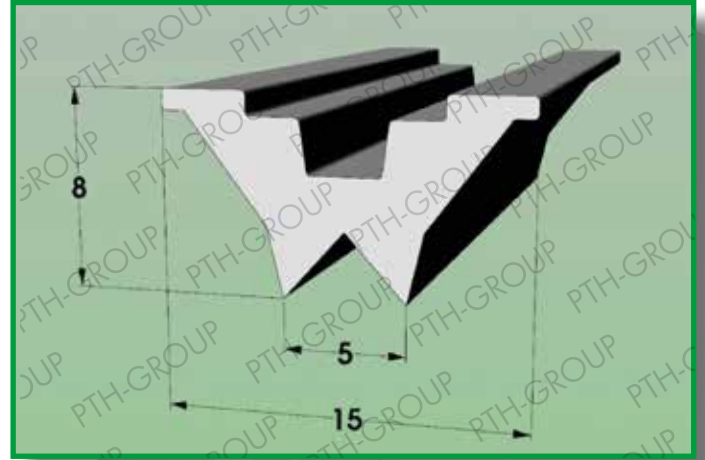
**Profile 1010.410**

**Material: POLYCARBONATE CLEAR / OPAL  
PMMA CLEAR / SATIN**



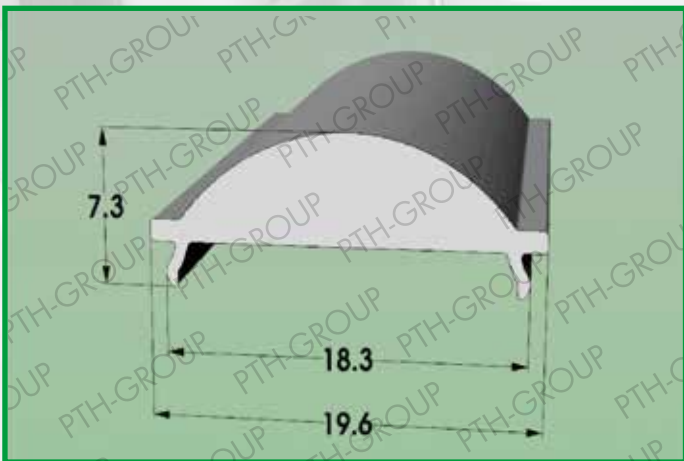
**Profile 1010.370**

**Material: PMMA CLEAR / SATIN**



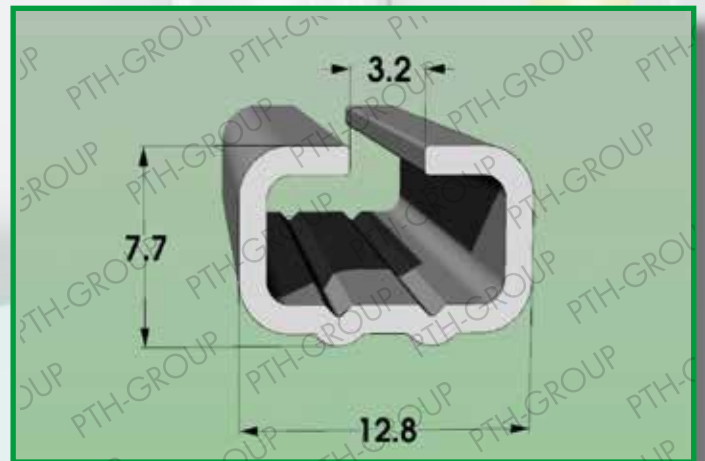
**Profile 1010.215**

**Material: PMMA CLEAR / SATIN**



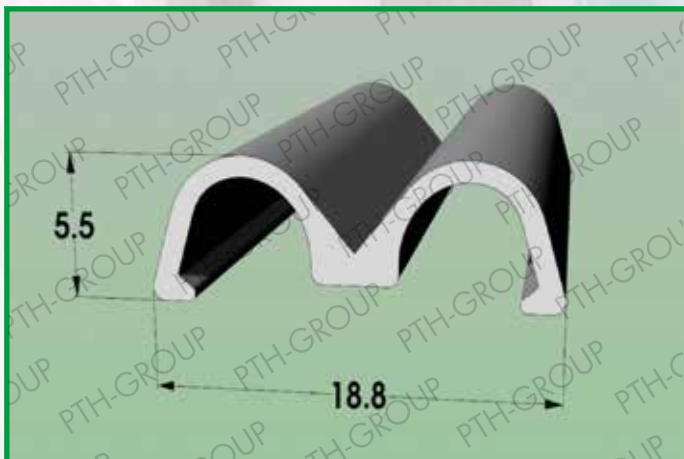
**Profile 1010.91**

**Material: POLYCARBONATE CLEAR / OPAL**



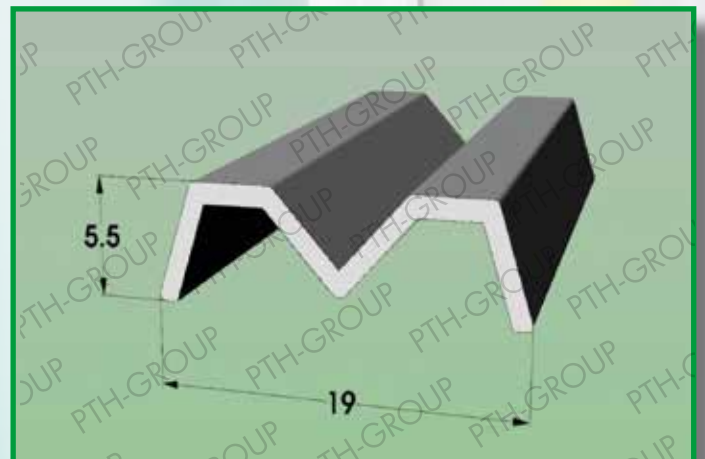
**Profile 1010.90**

**Material: POLYCARBONATE CLEAR / OPAL**



**Profile 1010.89**

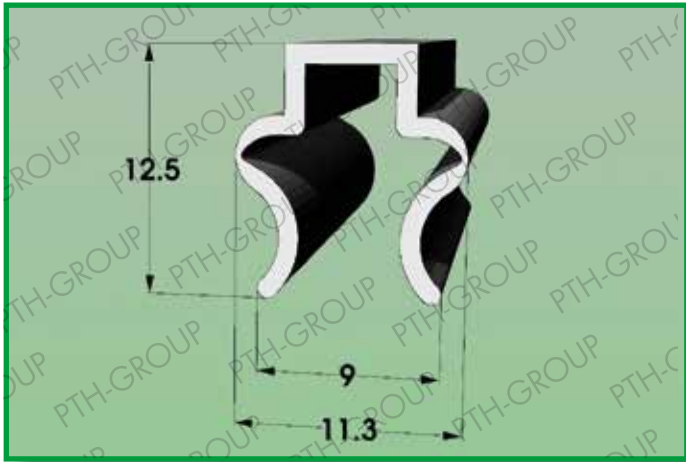
**Material: POLYCARBONATE CLEAR / OPAL**





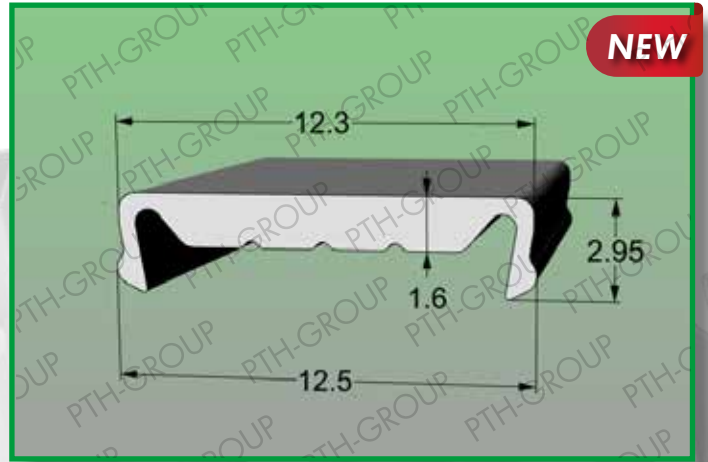
**Profile 1010.43**

**Material: POLYCARBONATE CLEAR / OPAL**



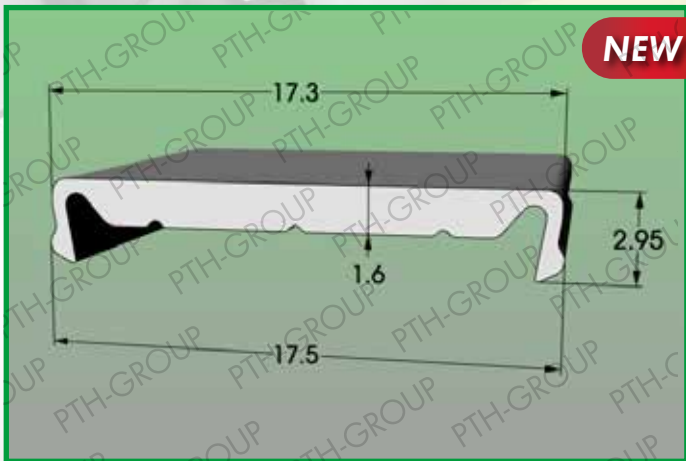
**Profile 1010.523**

**Material: POLYCARBONATE CLEAR / OPAL**



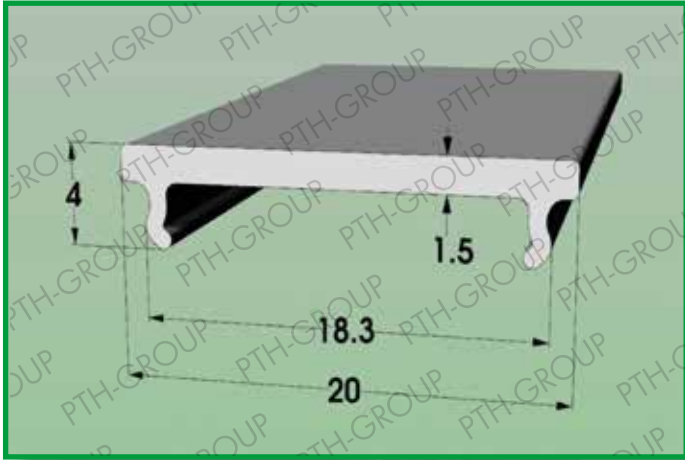
**Profile 1010.525**

**Material: POLYCARBONATE CLEAR / OPAL**



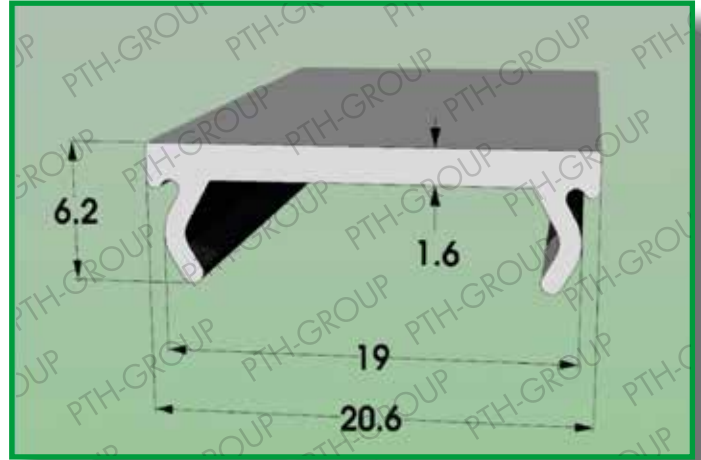
**Profile 1010.226**

**Material: POLYCARBONATE CLEAR / OPAL  
PMMA CLEAR / SATIN**



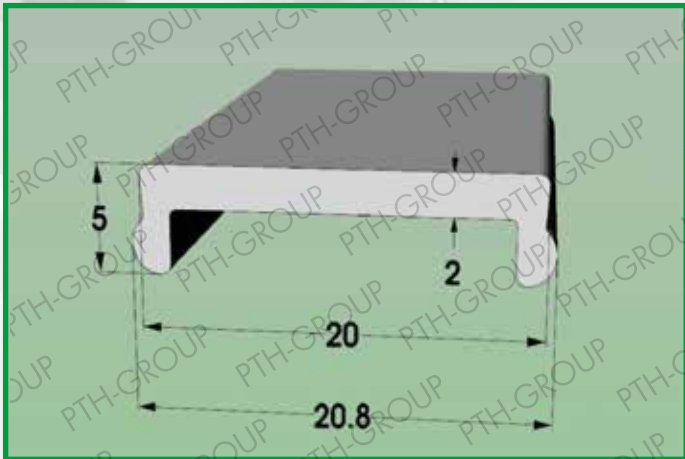
**Profile 1010.348**

**Material: POLYCARBONATE CLEAR / OPAL  
PMMA CLEAR / SATIN**



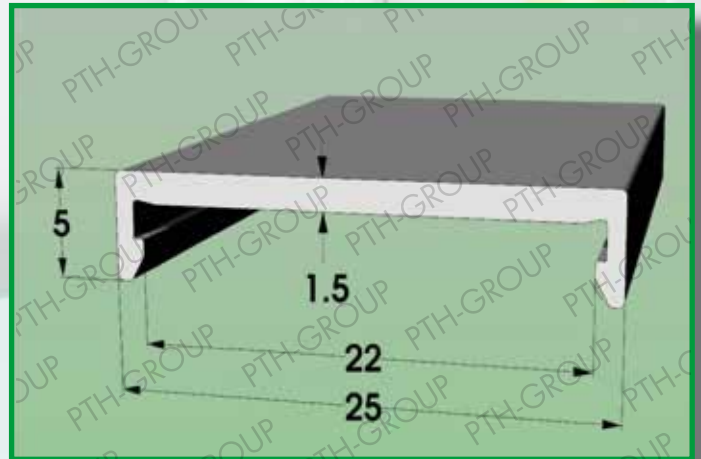
**Profile 1010.293**

**Material: POLYCARBONATE CLEAR / OPAL / SATIN SBB  
PMMA CLEAR / SATIN**



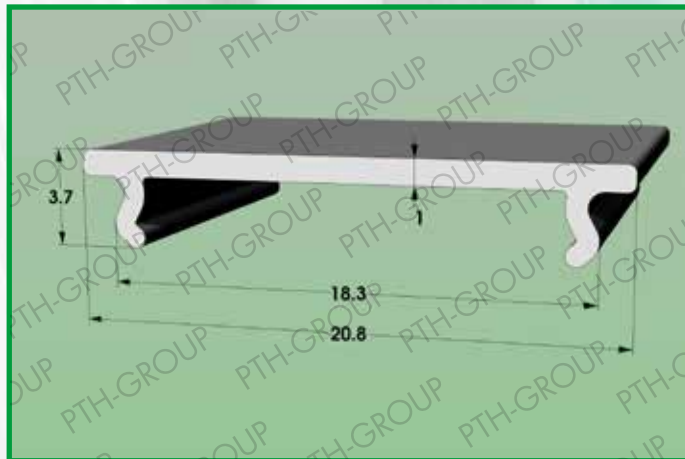
**Profile 1010.377**

**Material: POLYCARBONATE CLEAR / OPAL / SATIN SBB**



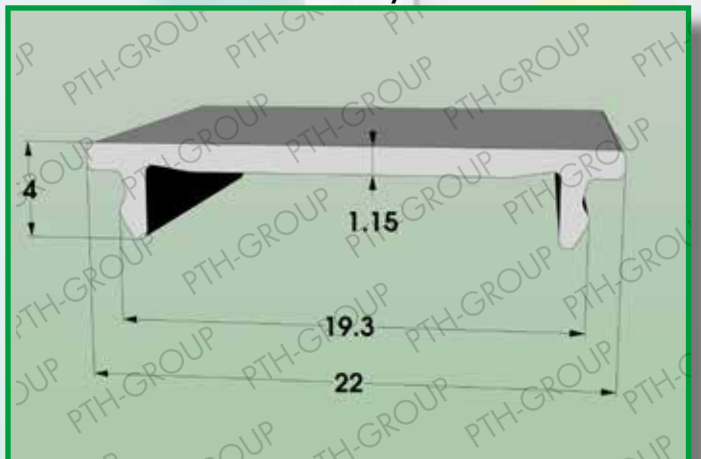
**Profile 1010.507**

**Material: POLYCARBONATE CLEAR / OPAL / SATIN SBB  
PMMA SATIN**



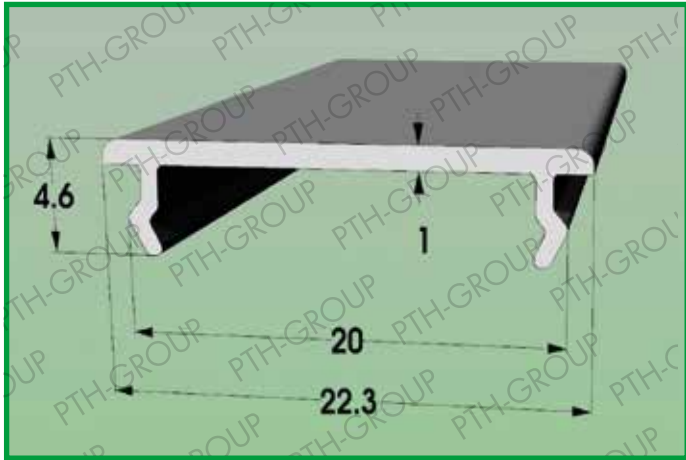
**Profile 1010.519**

**Material: POLYCARBONATE CLEAR / OPAL / SATIN SBB  
PMMA CLEAR / SATIN**



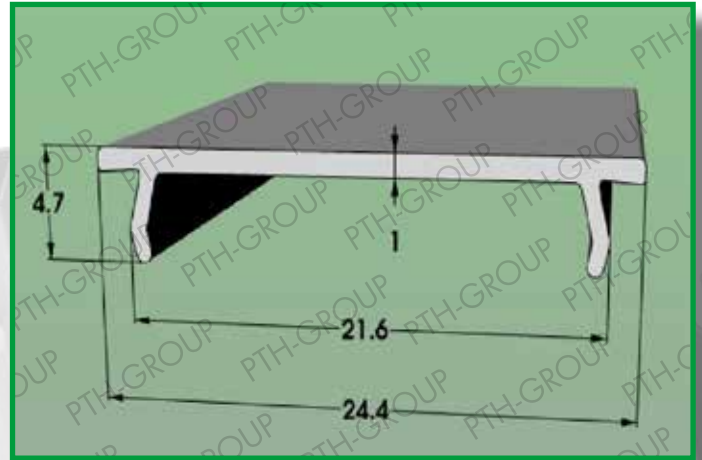
**Profile 1010.394**

**Material: POLYCARBONATE CLEAR / OPAL  
PMMA CLEAR / SATIN**



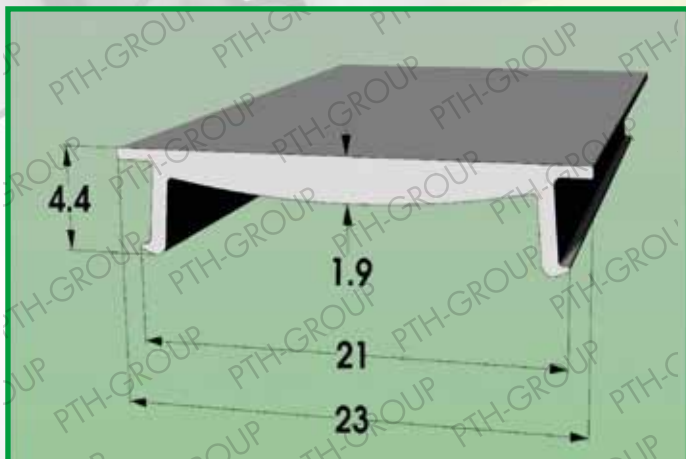
**Profile 1010.492**

**Material: POLYCARBONATE CLEAR / OPAL / SATIN SBB**



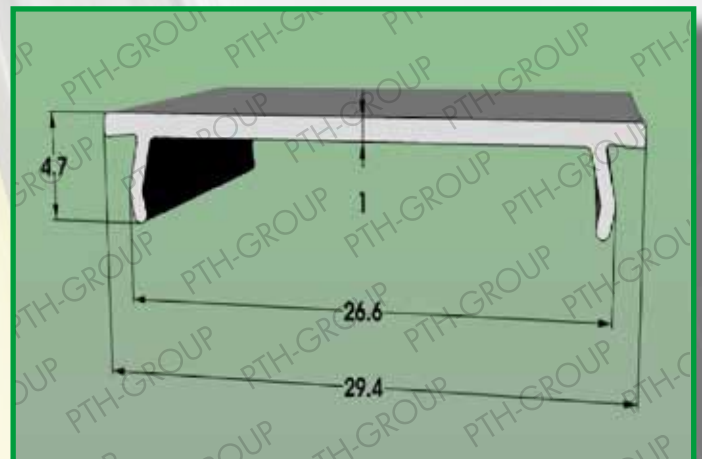
**Profile 1010.354**

**Material: PMMA CLEAR / SATIN**



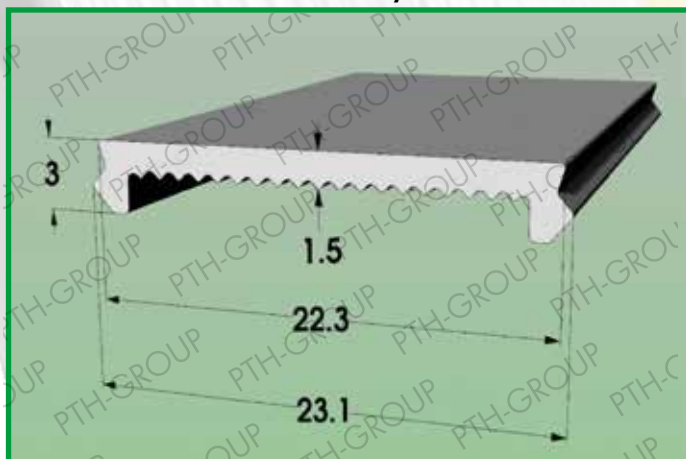
**Profile 1010.495**

**Material: POLYCARBONATE CLEAR / OPAL / SATIN SBB  
PMMA SATIN**



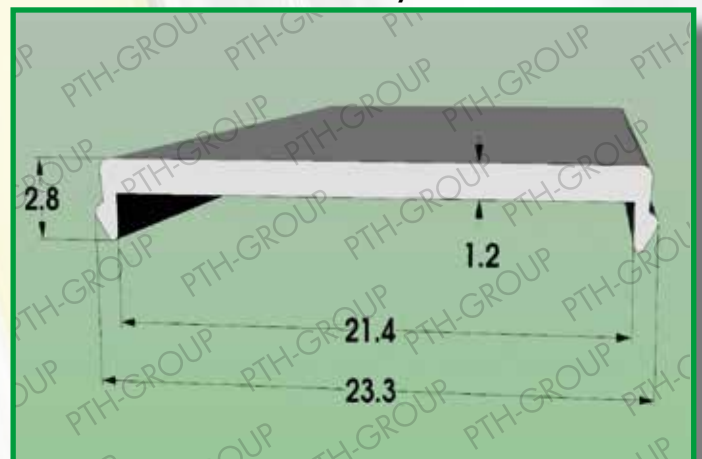
**Profile 1010.343**

**Material: POLYCARBONATE CLEAR / OPAL / SATIN SBB  
PMMA CLEAR / SATIN**



**Profile 1010.414**

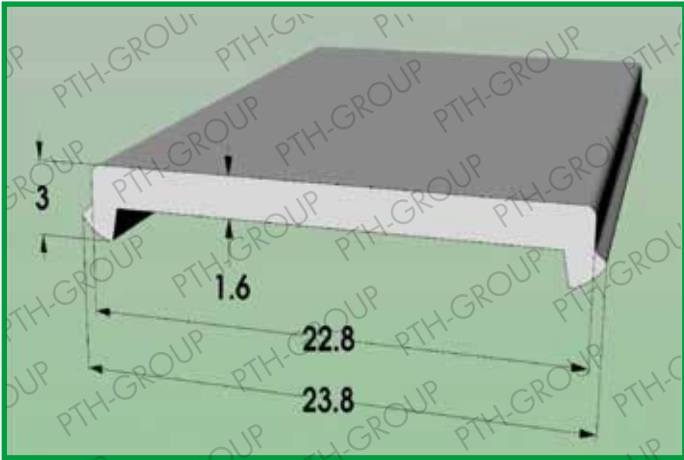
**Material: POLYCARBONATE CLEAR / OPAL  
PMMA CLEAR / SATIN**





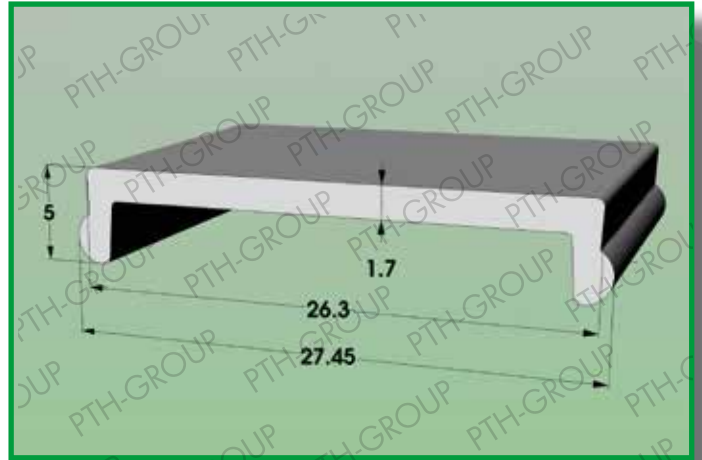
**Profile 1010.358**

**Material: POLYCARBONATE CLEAR / OPAL / SATIN SBB  
PMMA CLEAR / SATIN**



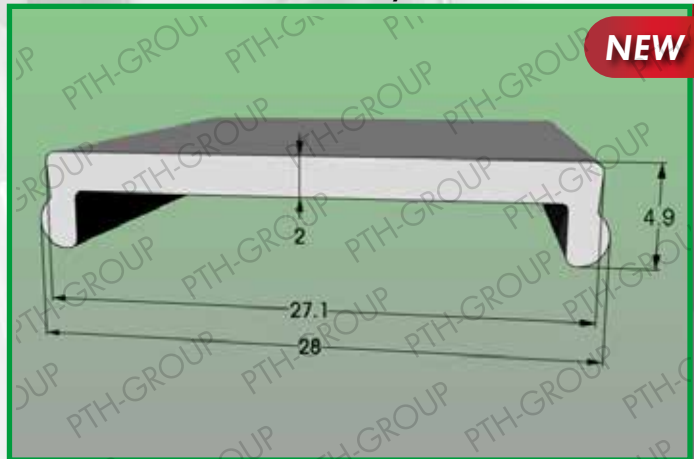
**Profile 1010.512**

**Material: POLYCARBONATE CLEAR / OPAL  
PMMA CLEAR / SATIN**



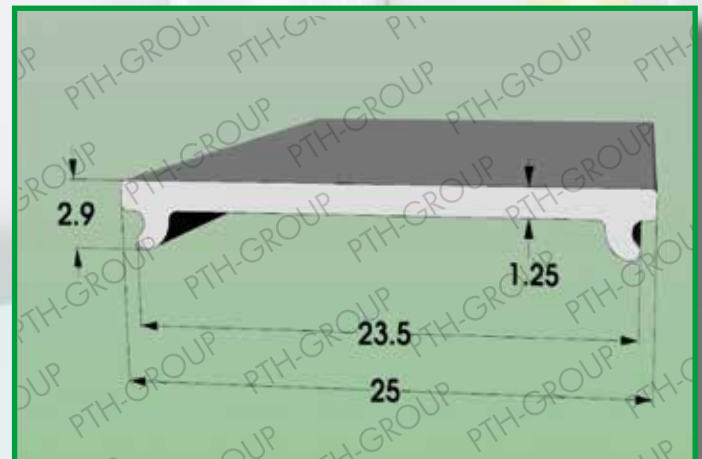
**Profile 1010.536**

**Material: POLYCARBONATE CLEAR / OPAL / SATIN SBB  
PMMA CLEAR / SATIN**



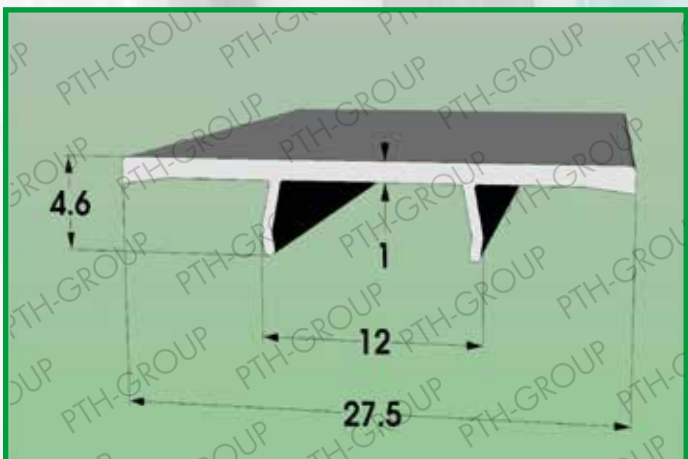
**Profile 1010.264**

**Material: POLYCARBONATE CLEAR / OPAL  
PMMA CLEAR / SATIN**



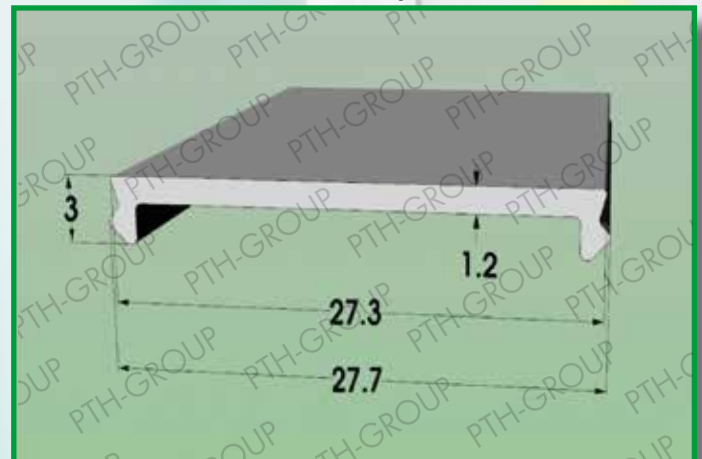
**Profile 1010.356**

**Material: POLYCARBONATE CLEAR / OPAL / SATIN SBB**



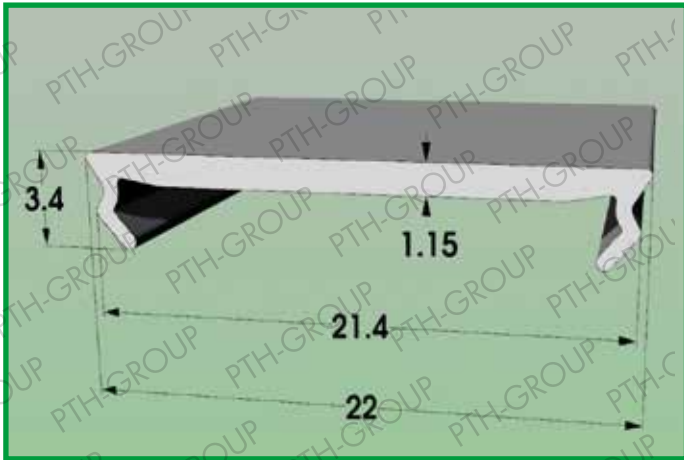
**Profile 1010.310**

**Material: POLYCARBONATE CLEAR / OPAL  
PMMA CLEAR / SATIN**



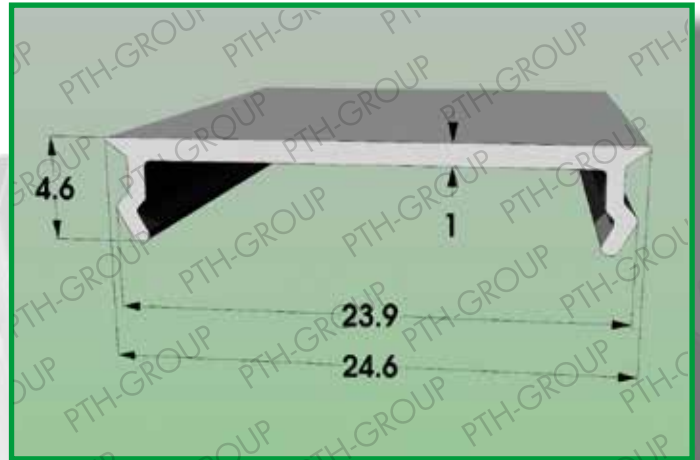
**Profile 1010.434**

**Material: POLYCARBONATE CLEAR / OPAL  
PMMA CLEAR / SATIN**



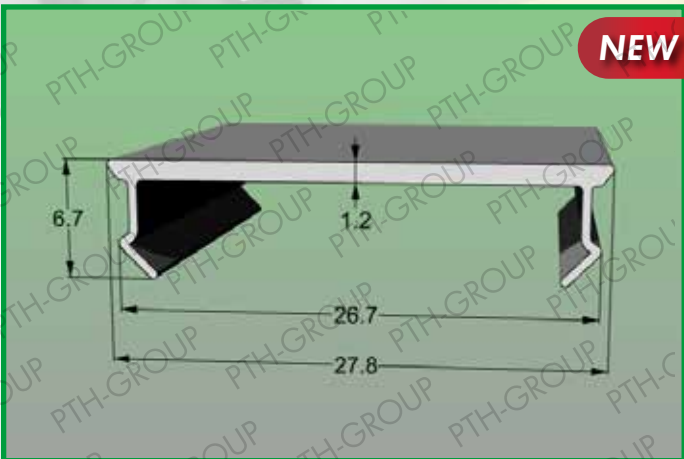
**Profile 1010.436**

**Material: POLYCARBONATE CLEAR / OPAL  
PMMA CLEAR / SATIN**



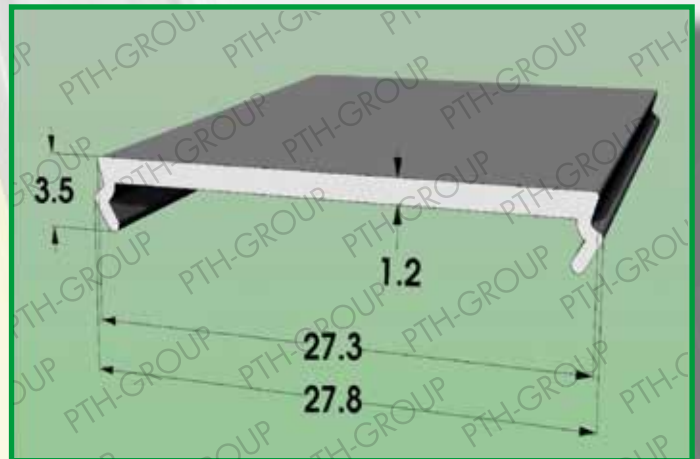
**Profile 1010.527**

**Material: POLYCARBONATE CLEAR / OPAL / SATIN SBB  
PMMA CLEAR / SATIN**



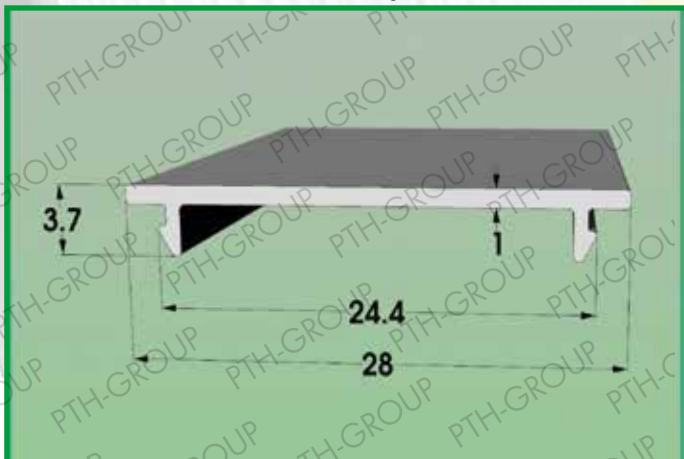
**Profile 1010.355**

**Material: POLYCARBONATE CLEAR / OPAL / SATIN SBB  
PMMA CLEAR / SATIN**



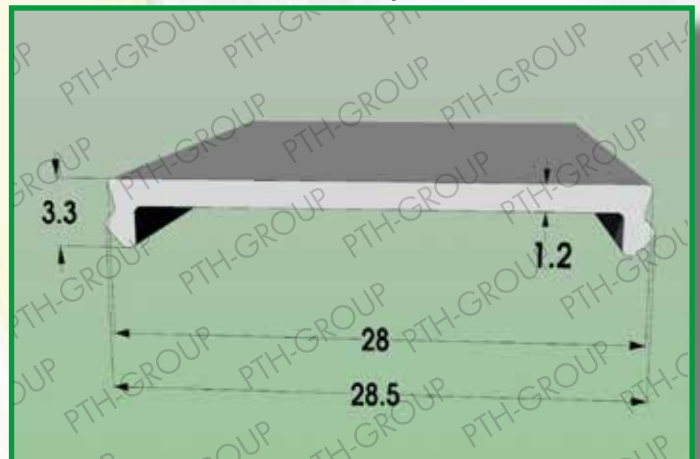
**Profile 1010.162**

**Material: POLYCARBONATE CLEAR / OPAL  
PMMA CLEAR / SATIN**

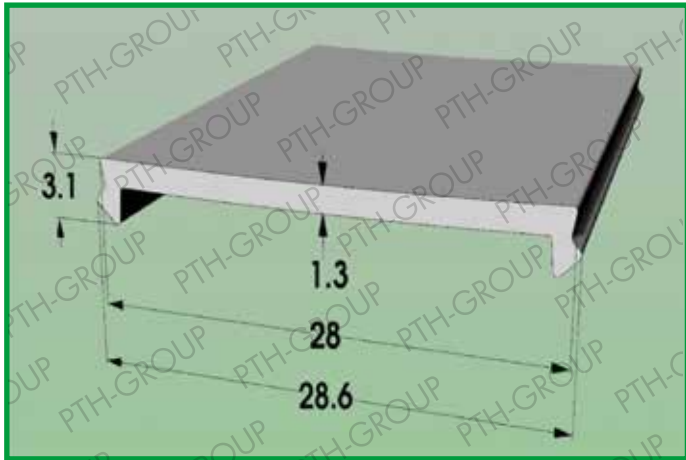


**Profile 1010.197**

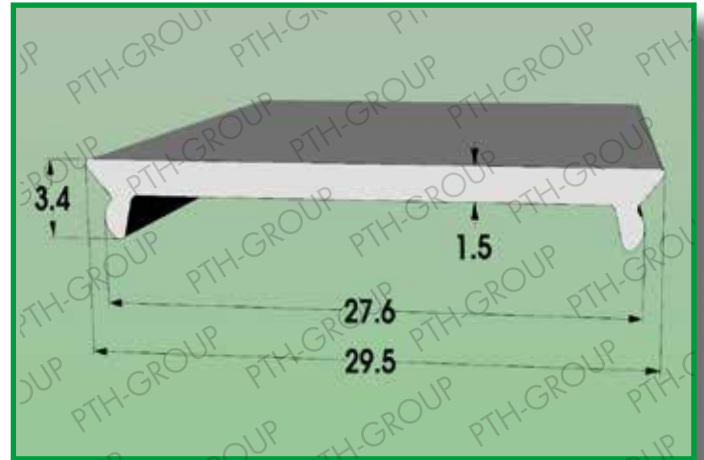
**Material: POLYCARBONATE CLEAR / OPAL / SATIN SBB  
PMMA CLEAR / SATIN**



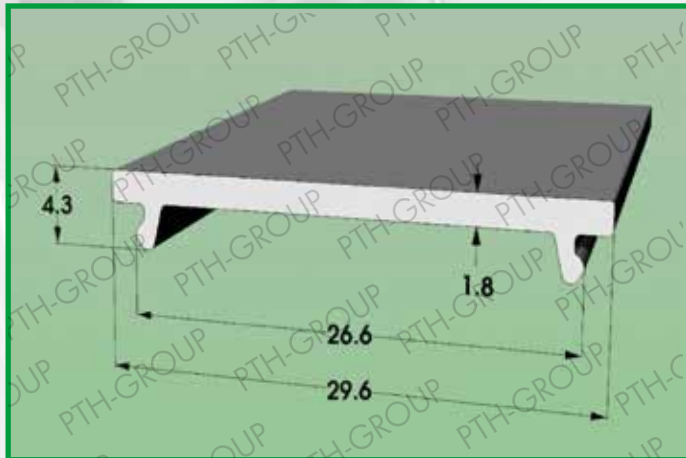
**Profile 1010.342**  
**Material: PMMA CLEAR / SATIN**



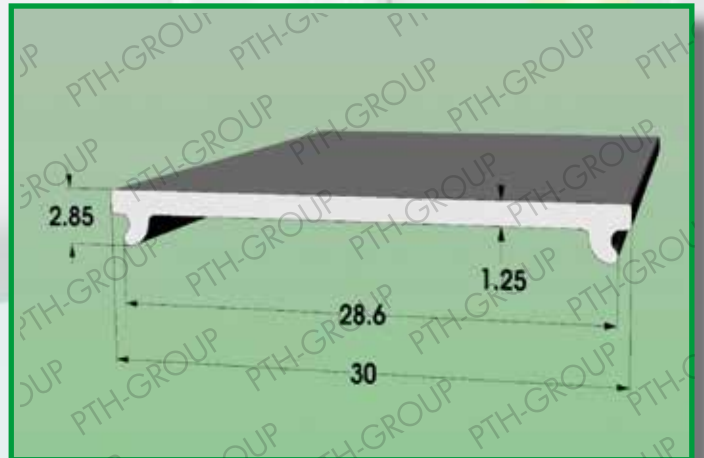
**Profile 1010.423**  
**Material: POLYCARBONATE CLEAR / OPAL**  
**PMMA CLEAR / SATIN**



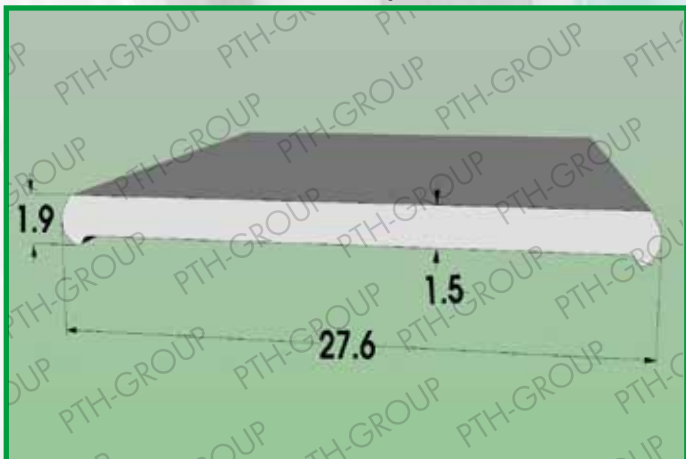
**Profile 1010.260**  
**Material: POLYCARBONATE CLEAR / OPAL / SATIN SBB**  
**PMMA CLEAR / SATIN**



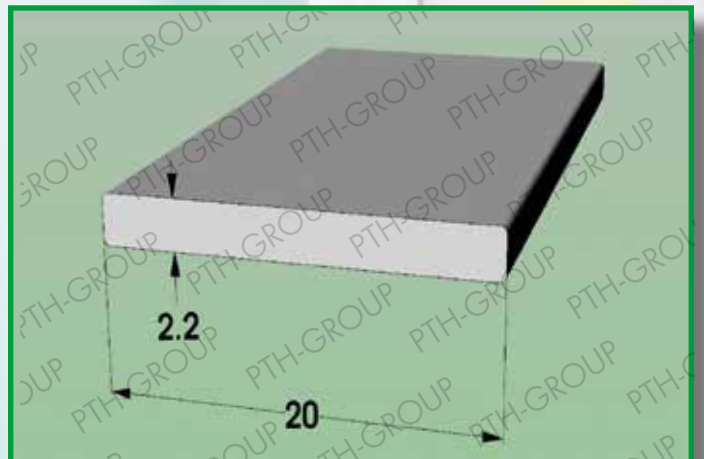
**Profile 1010.286**  
**Material: POLYCARBONATE CLEAR / OPAL / SATIN SBB**  
**PMMA CLEAR / SATIN**



**Profile 1010.424**  
**Material: POLYCARBONATE CLEAR / OPAL**  
**PMMA CLEAR / SATIN**



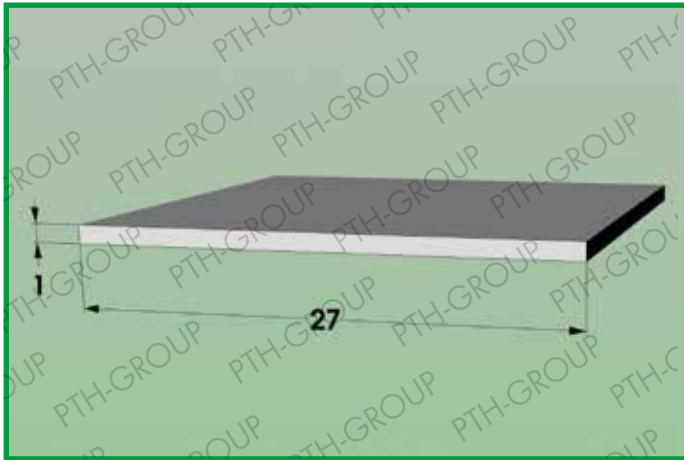
**Profile 1010.333**  
**Material: POLYCARBONATE CLEAR / OPAL**





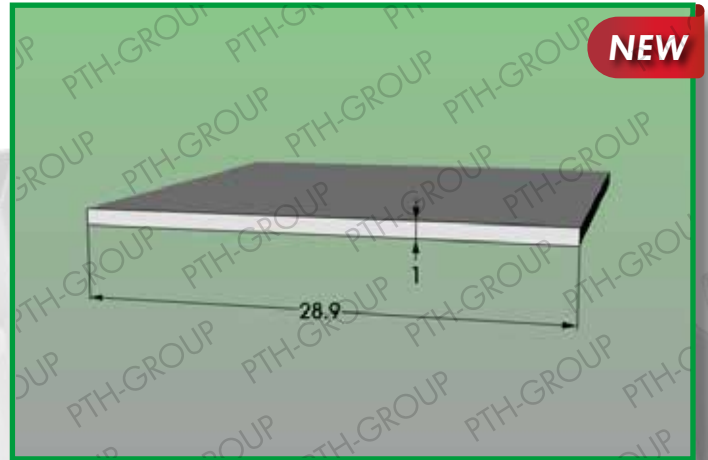
**Profile 1010.506**

**Material: POLYCARBONATE CLEAR / OPAL**



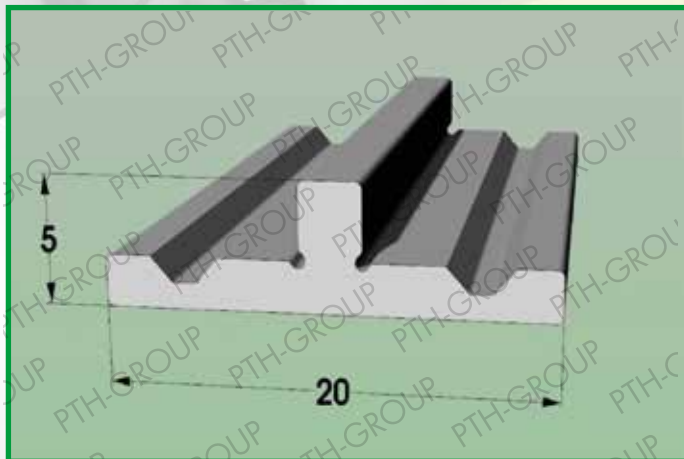
**Profile 1010.553**

**Material: POLYCARBONATE CLEAR / OPAL / SATIN SBB  
PMMA CLEAR / SATIN**



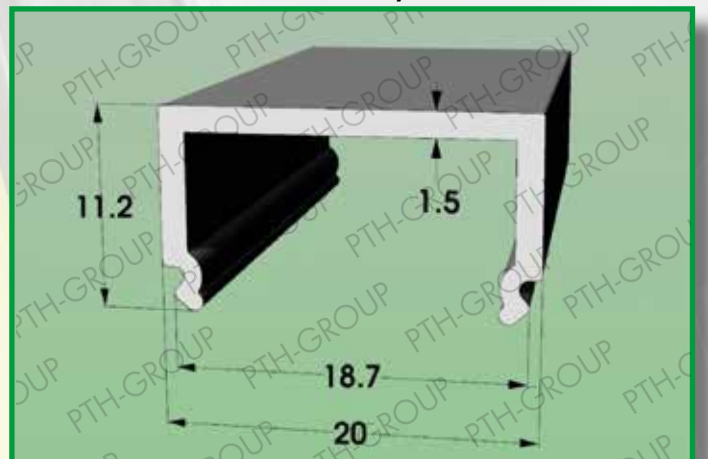
**Profile 1010.82**

**Material: POLYCARBONATE CLEAR / OPAL**



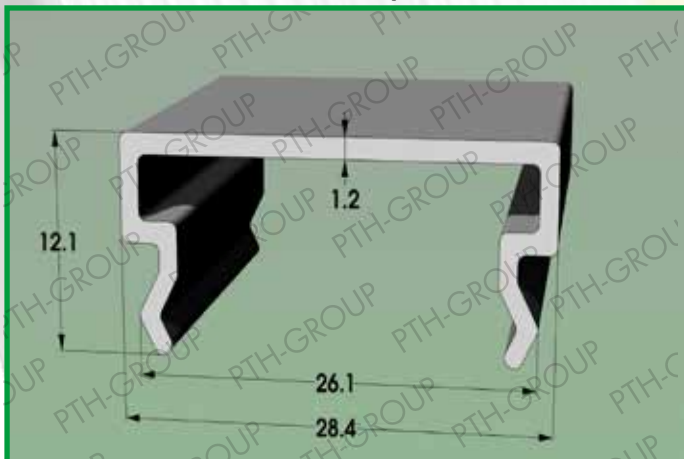
**Profile 1010.218**

**Material: POLYCARBONATE CLEAR / OPAL / SATIN SBB  
PMMA CLEAR / SATIN**



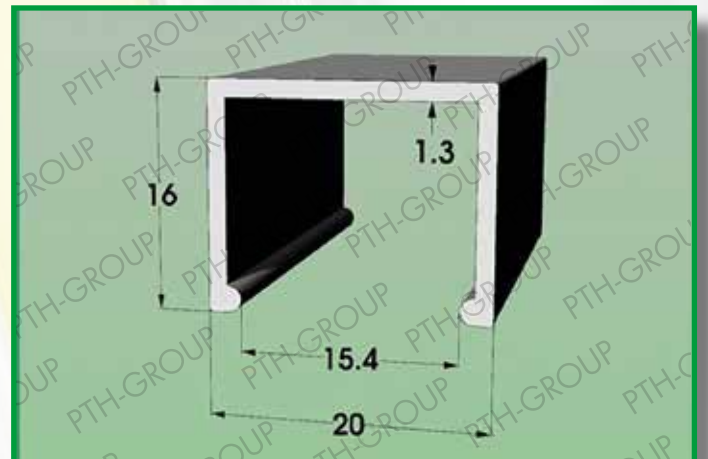
**Profile 1010.500**

**Material: POLYCARBONATE CLEAR / OPAL / SATIN SBB  
PMMA CLEAR / SATIN**



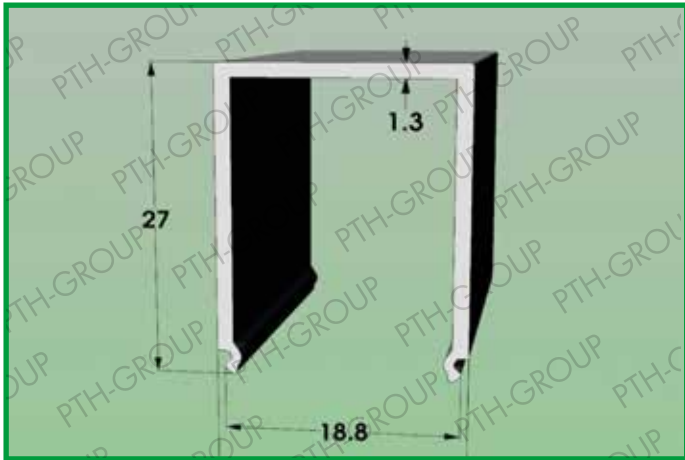
**Profile 1010.285**

**Material : POLYCARBONATE CLEAR / OPAL / SATIN SBB**



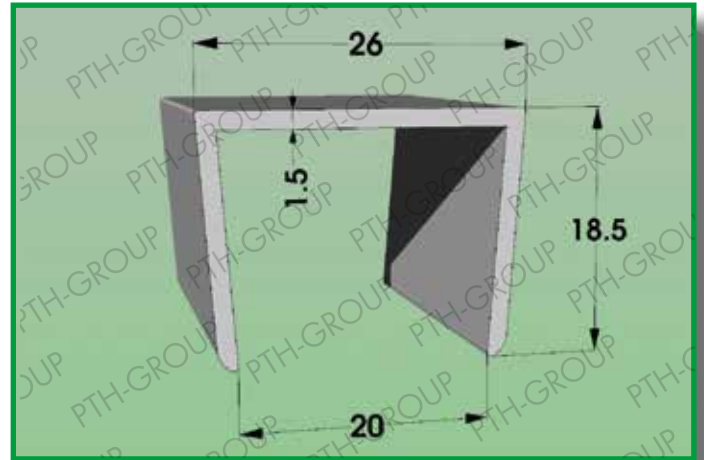
**Profile 1010.259**

**Material: POLYCARBONATE CLEAR / OPAL  
PMMA CLEAR / SATIN**



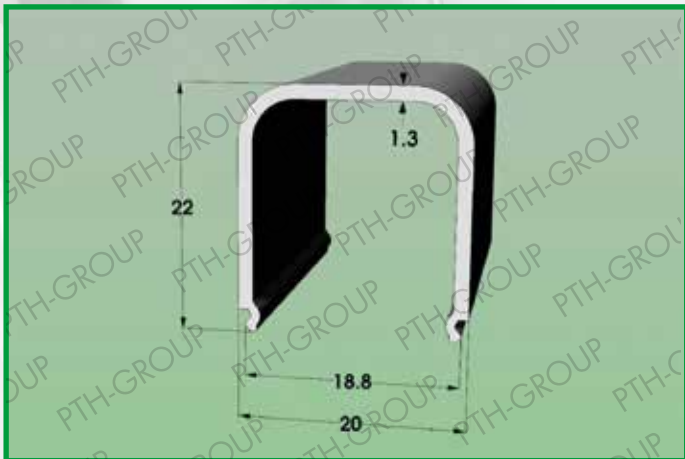
**Profile 1010.06**

**Material: POLYCARBONATE CLEAR / OPAL**



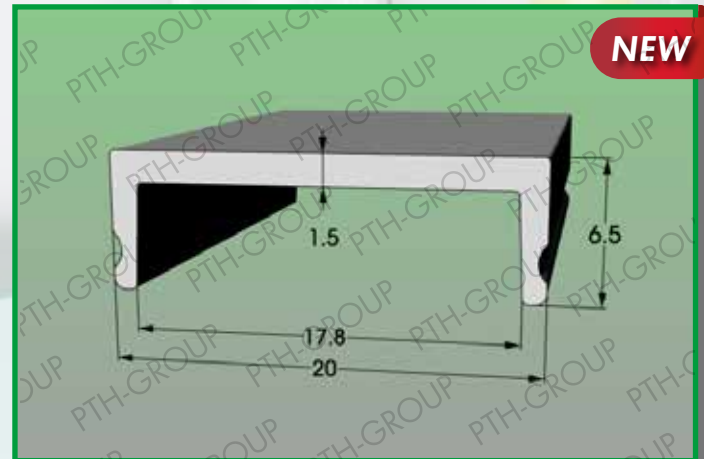
**Profile 1010.258**

**Material: POLYCARBONATE CLEAR / OPAL  
PMMA CLEAR / SATIN**



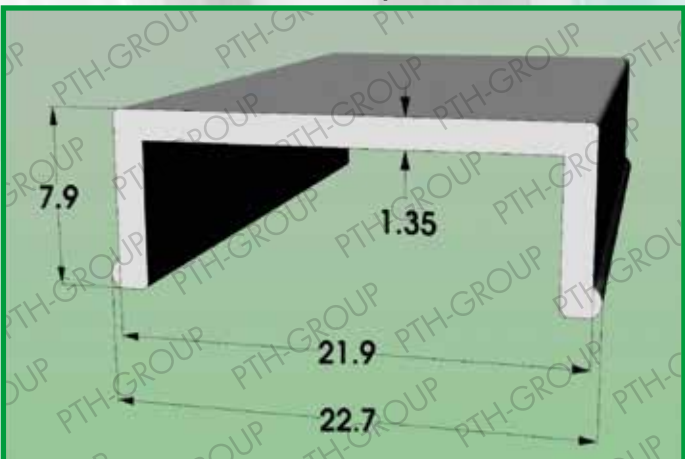
**Profile 1010.537**

**Material: POLYCARBONATE CLEAR / OPAL / SATIN SBB  
PMMA CLEAR / SATIN**



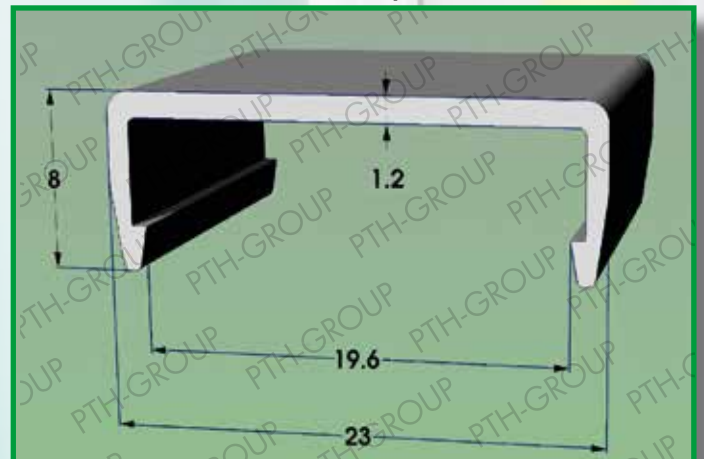
**Profile 1010.345**

**Material: POLYCARBONATE CLEAR / OPAL / SATIN SBB  
PMMA CLEAR / SATIN**



**Profile 1010.513**

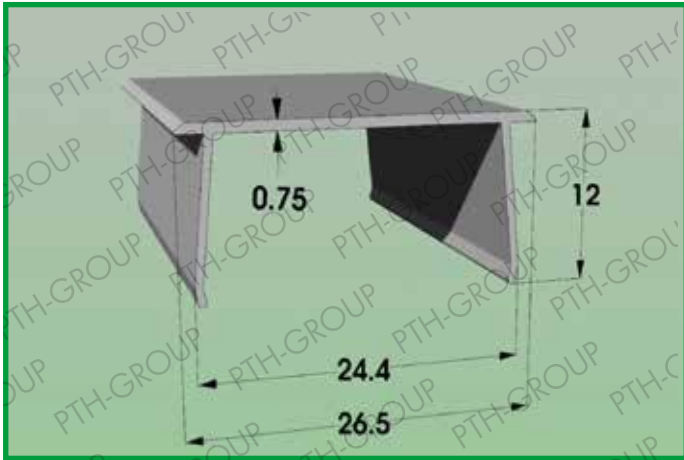
**Material: POLYCARBONATE CLEAR / OPAL / SATIN SBB  
PMMA CLEAR / SATIN**





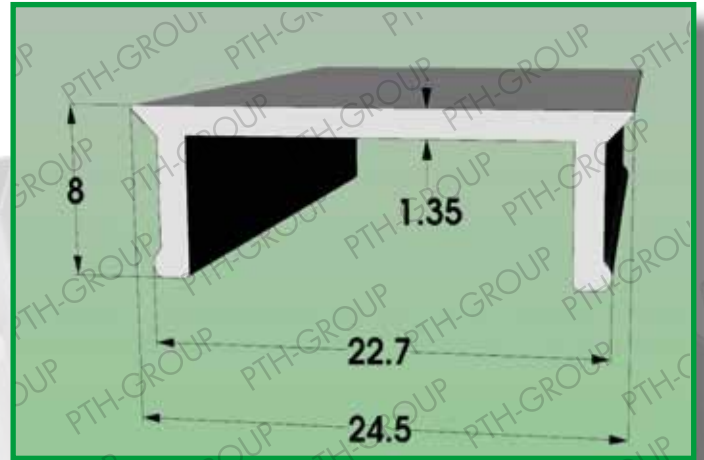
**Profile 1010.368**

**Material: POLYCARBONATE CLEAR / OPAL**



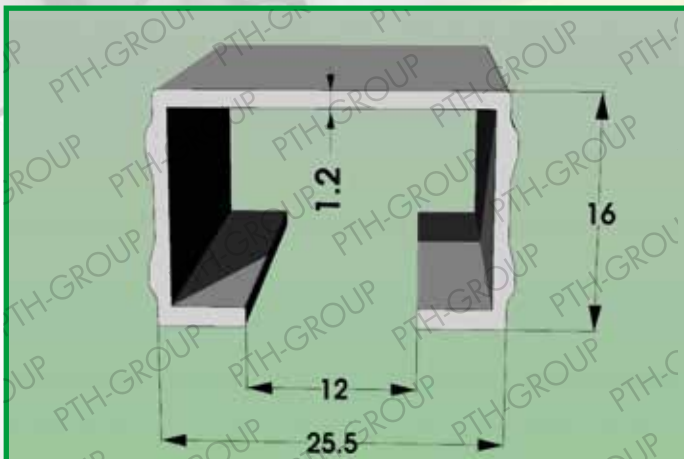
**Profile 1010.346**

**Material: POLYCARBONATE CLEAR / OPAL / SATIN SB  
PMMA CLEAR / SATIN**



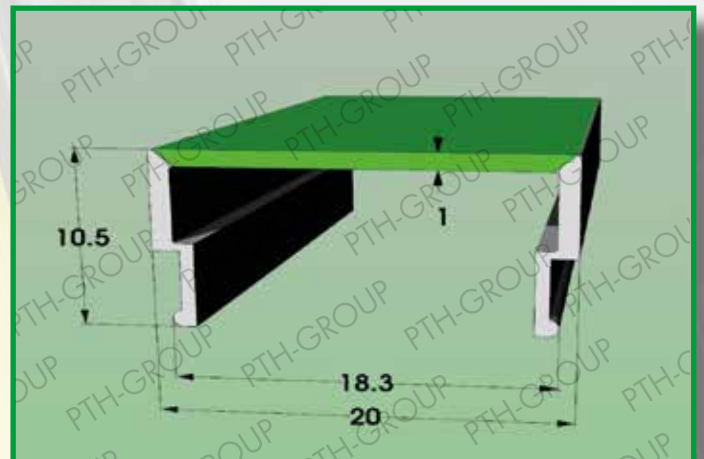
**Profile 1010.02**

**Material: POLYCARBONATE CLEAR / OPAL**



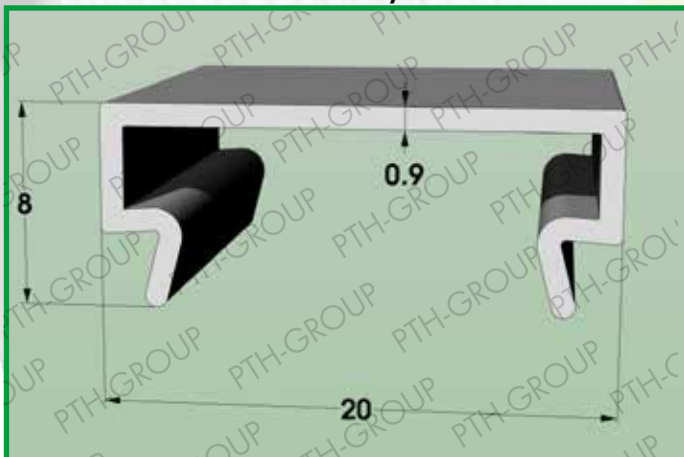
**Profile 1010.393**

**Material: PMMA CLEAR / SATIN**



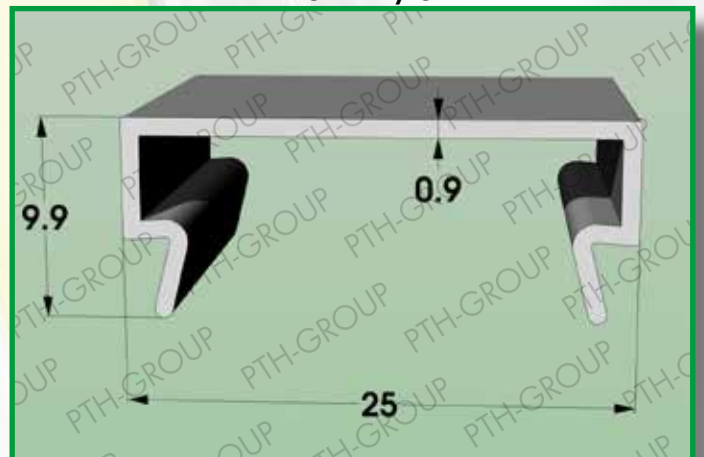
**Profile 1010.520**

**Material: POLYCARBONATE CLEAR / OPAL / SATIN SBB  
PMMA CLEAR / SATIN**



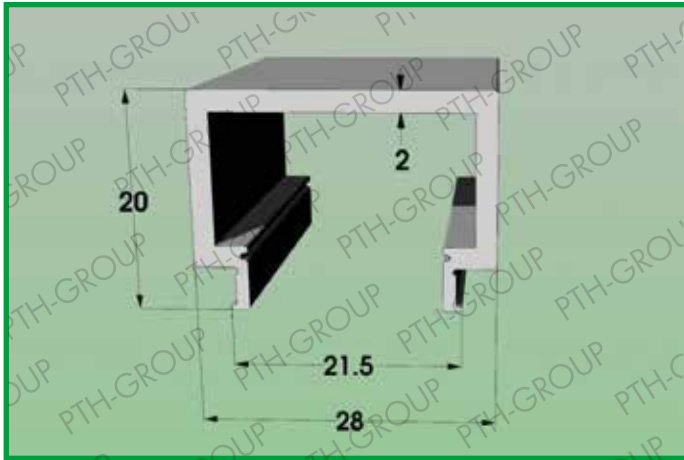
**Profile 1010.521**

**Material: POLYCARBONATE CLEAR / OPAL / SATIN SBB  
PMMA CLEAR / SATIN**

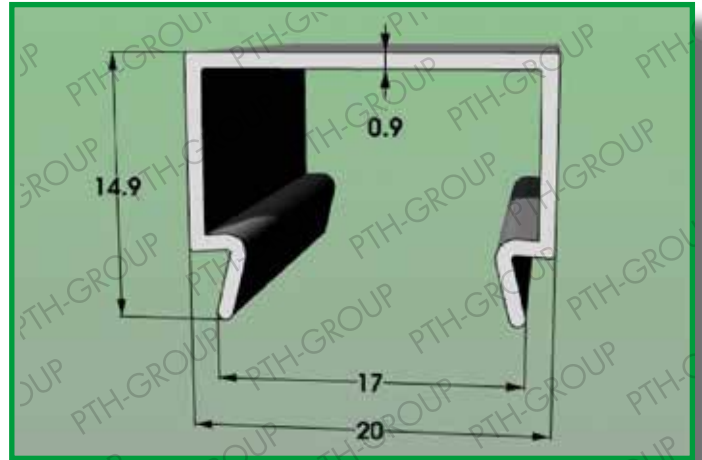




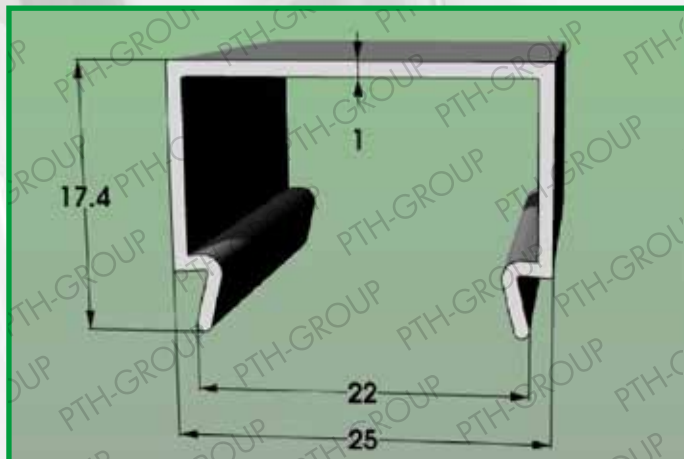
**Profile 1010.232**  
**Material: PMMA CLEAR / SATIN**



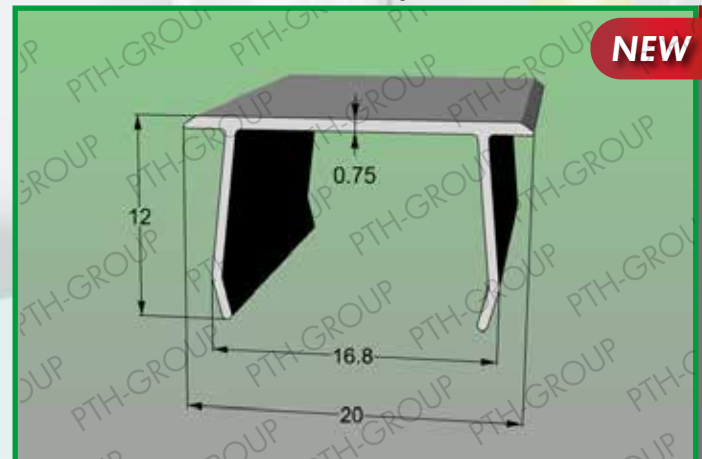
**Profile 1010.488**  
**Material: POLYCARBONATE CLEAR / OPAL / SATIN SBB**  
**PMMA SATIN**



**Profile 1010.491**  
**Material: POLYCARBONATE CLEAR / OPAL / SATIN SBB**  
**PMMA SATIN**



**Profile 1010.528**  
**Material: POLYCARBONATE CLEAR / OPAL / SATIN SBB**  
**PMMA CLEAR / SATIN**



**Profile 1010.63**  
**Material: POLYCARBONATE CLEAR / OPAL**



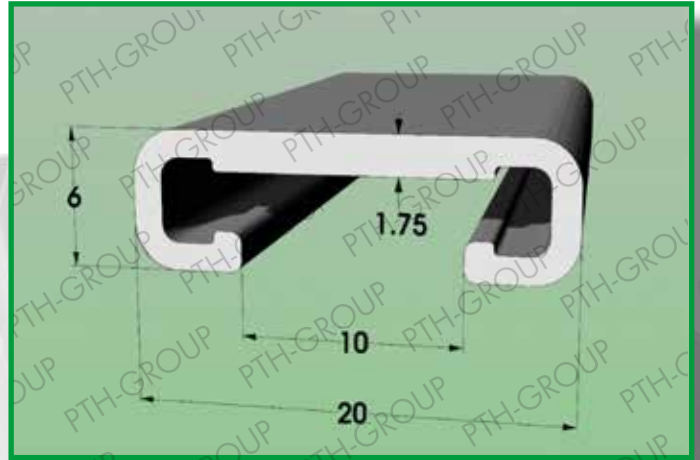
**Profile 1010.131**  
**Material: POLYCARBONATE CLEAR / OPAL**



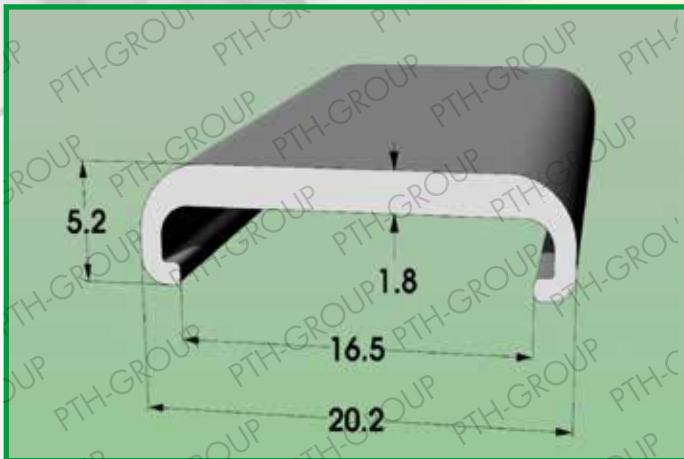
**Profile 1010.62**  
**Material: PMMA SATIN**



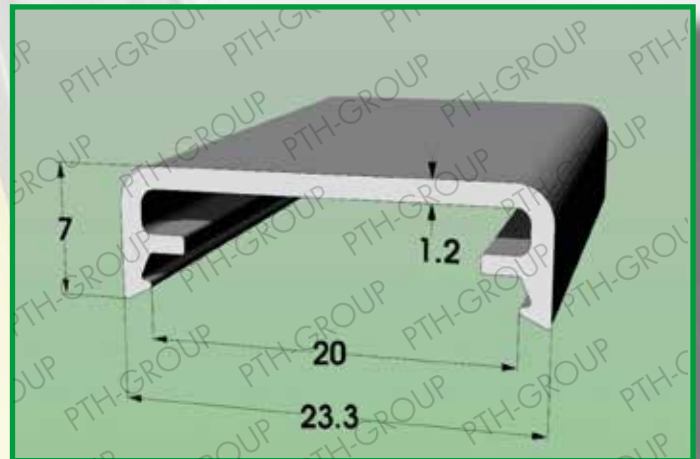
**Profile 1010.170**  
**Material: POLYCARBONATE CLEAR / OPAL**



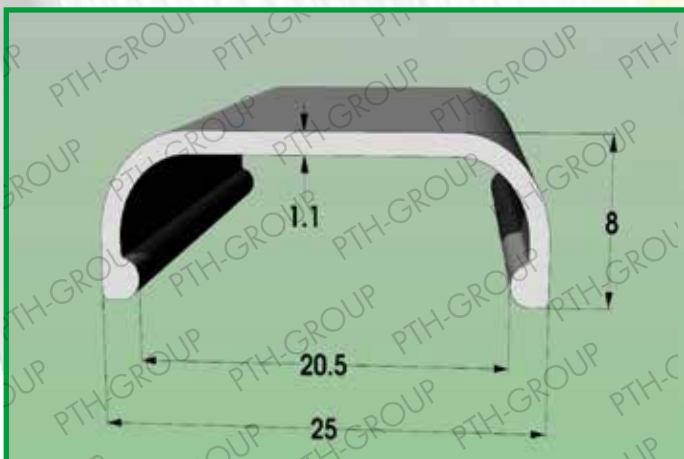
**Profile 1010.364**  
**Material: POLYCARBONATE CLEAR / OPAL / SATIN SBB**



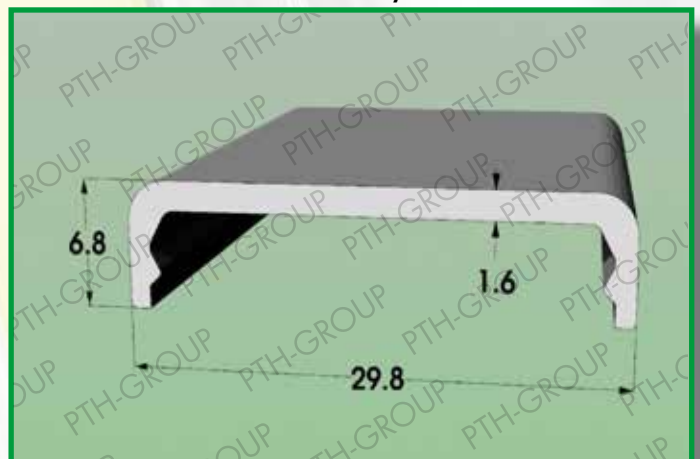
**Profile 1010.159**  
**Material: POLYCARBONATE CLEAR / OPAL**  
**PMMA CLEAR / SATIN**



**Profile 1010.24**  
**Material: POLYCARBONATE CLEAR / OPAL**



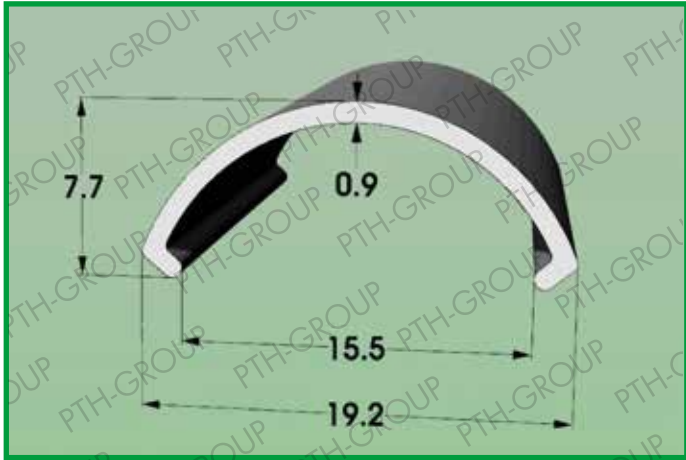
**Profile 1010.279**  
**Material: POLYCARBONATE CLEAR / OPAL**  
**PMMA CLEAR / SATIN**





**Profile 1010.282**

**Material: POLYCARBONATE CLEAR / OPAL**

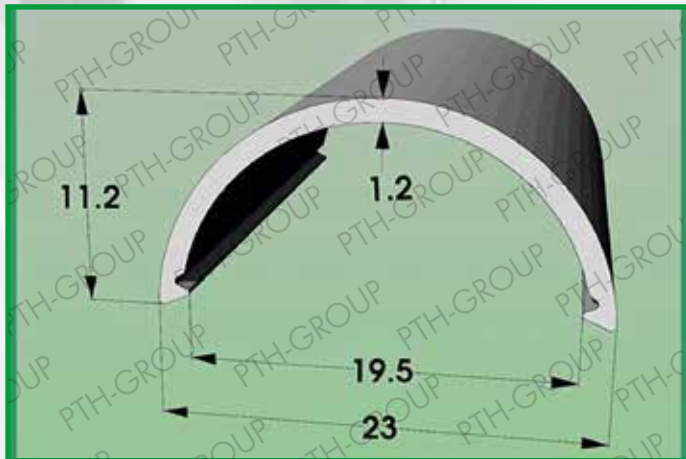


**Profile 1010.219**

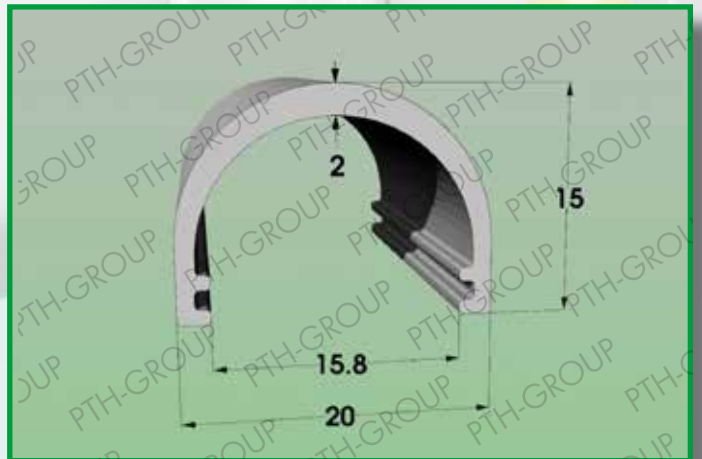
**Material: POLYCARBONATE CLEAR / OPAL / SATIN SBB  
PMMA CLEAR / SATIN**



**Profile 1010.42**  
**Material : PMMA SATIN**



**Profile 1010.363**  
**Material: POLYCARBONATE CLEAR / OPAL / SATIN SBB  
PMMA CLEAR / SATIN**



**Profile 1010.111**  
**Material: PMMA CLEAR / SATIN**



**Profile 1010.176**  
**Material: POLYCARBONATE CLEAR / OPAL  
PMMA CLEAR / SATIN**

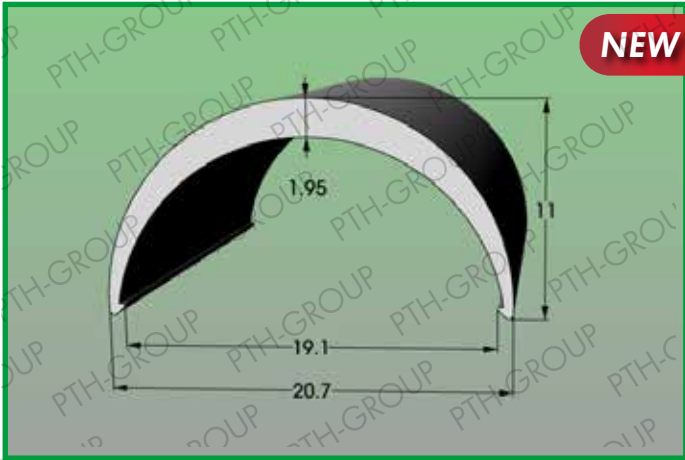




**Profile 1010.545**

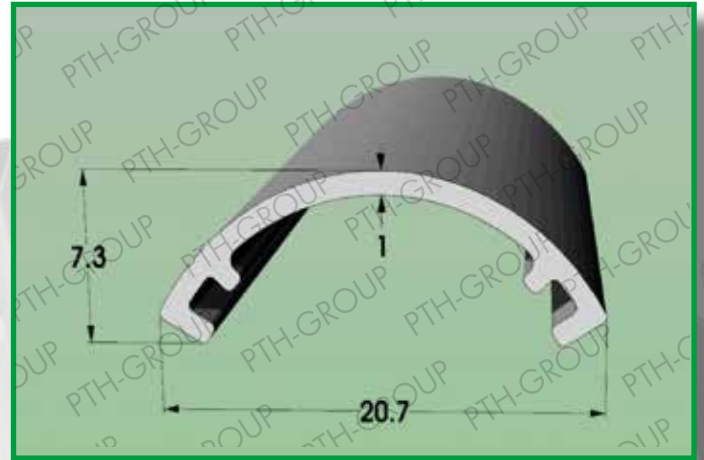
**Material: POLYCARBONATE CLEAR / OPAL/ SATIN SBB  
PMMA CLEAR / SATIN**

**NEW**



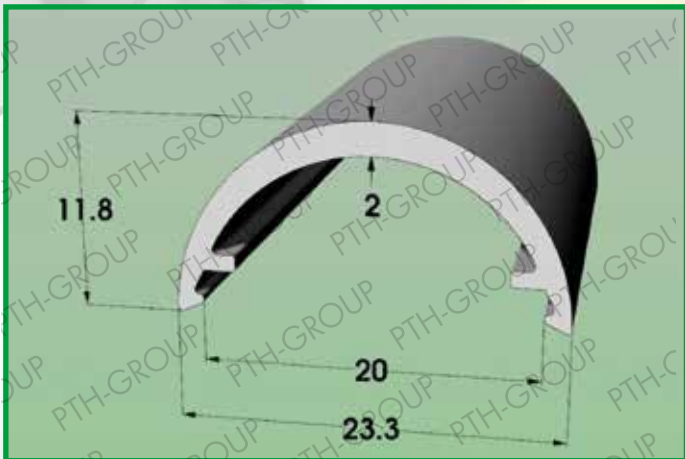
**Profile 1010.76**

**Material: POLYCARBONATE CLEAR / OPAL  
PMMA SATIN**



**Profile 1010.113**

**Material: PMMA CLEAR / SATIN**



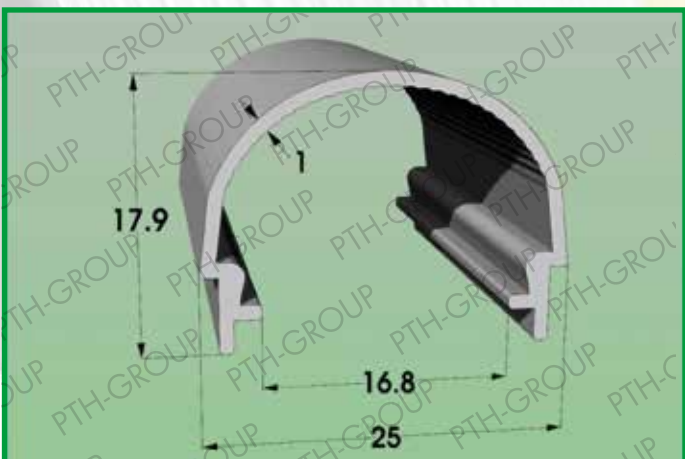
**Profile 1010.265**

**Material: PMMA CLEAR / SATIN**



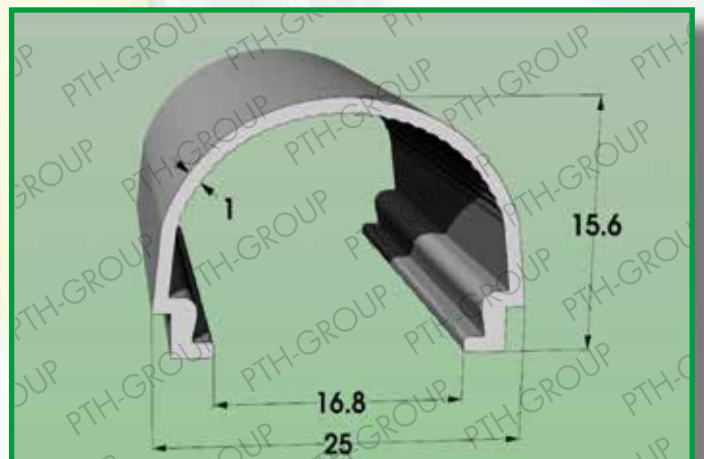
**Profile 1010.300**

**Material: POLYCARBONATE CLEAR / OPAL**

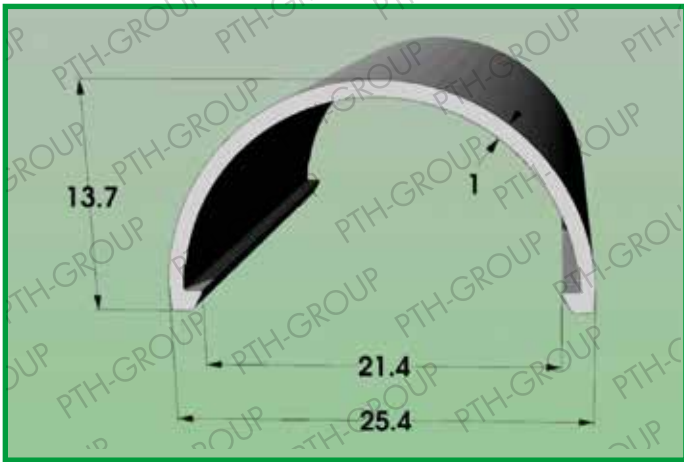


**Profile 1010.311**

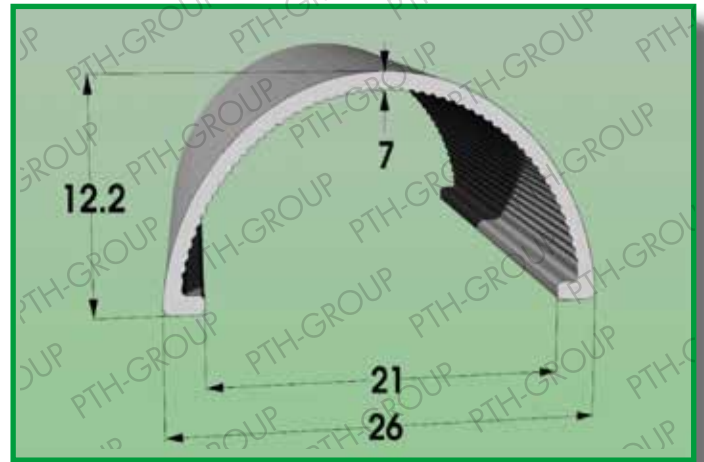
**Material: POLYCARBONATE CLEAR / OPAL**



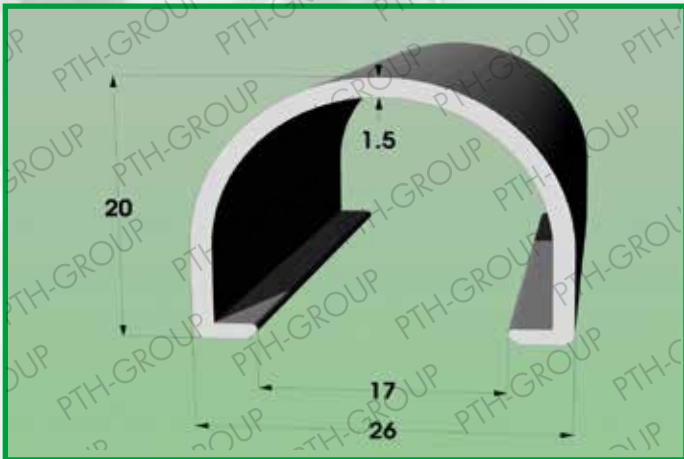
**Profile 1010.237**  
**Material: POLYCARBONATE CLEAR / OPAL**



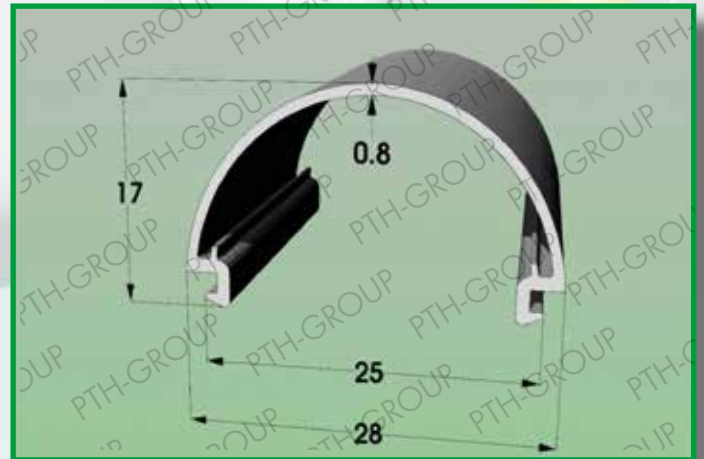
**Profile 1010.97**  
**Material: POLYCARBONATE CLEAR / OPAL**



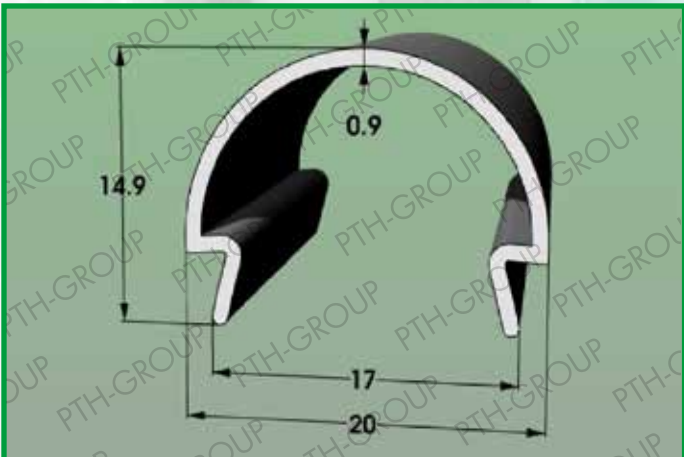
**Profile 1010.439**  
**Material: POLYCARBONATE CLEAR / OPAL**  
**PMMA CLEAR / SATIN**



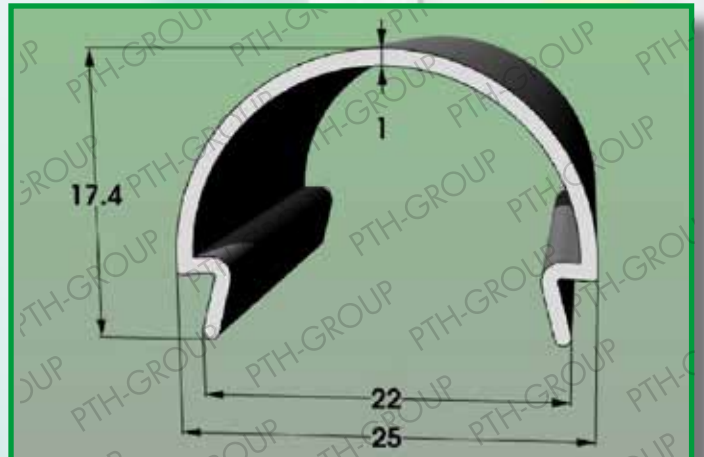
**Profile 1010.81**  
**Material: POLYCARBONATE CLEAR / OPAL**



**Profile 1010.487**  
**Material: POLYCARBONATE CLEAR / OPAL / SATIN SBB**  
**PMMA SATIN**



**Profile 1010.490**  
**Material: POLYCARBONATE CLEAR / OPAL / SATIN SBB**  
**PMMA SATIN**

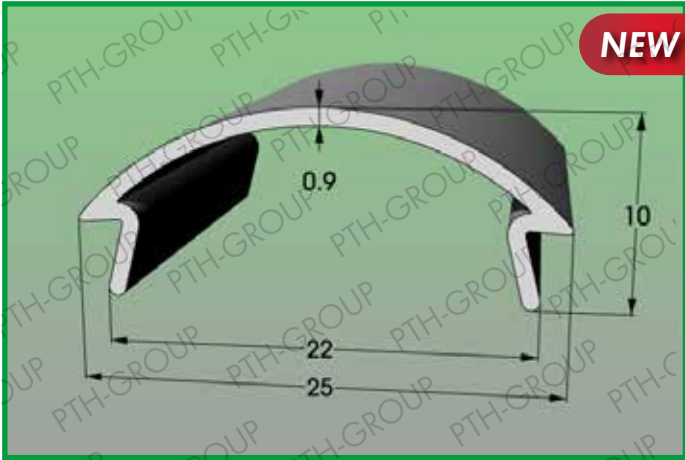




**Profile 1010.547**

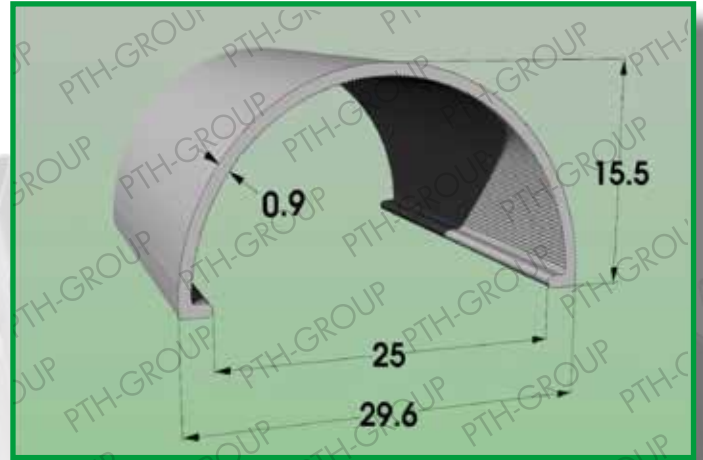
**Material: POLYCARBONATE CLEAR / OPAL / SATIN SBB  
PMMA CLEAR / SATIN**

**NEW**



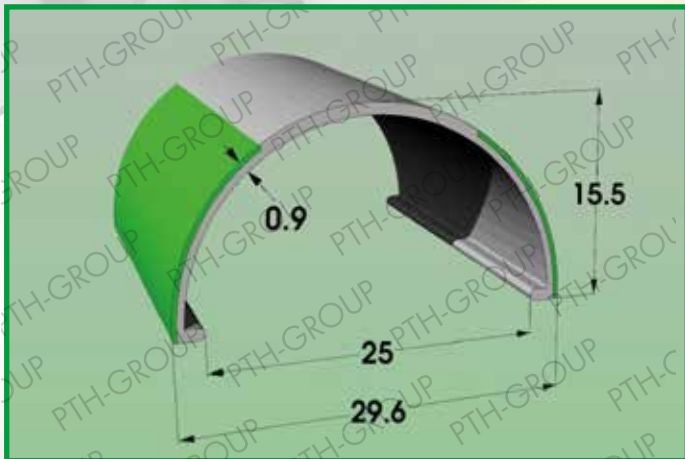
**Profile 1010.222**

**Material: POLYCARBONATE CLEAR / OPAL / SATIN SBB**



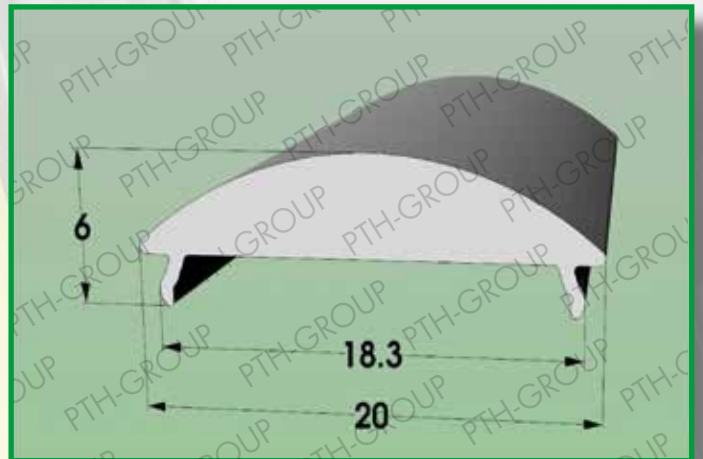
**Profile 1010.353**

**Material: POLYCARBONATE CLEAR / OPAL / SATIN**

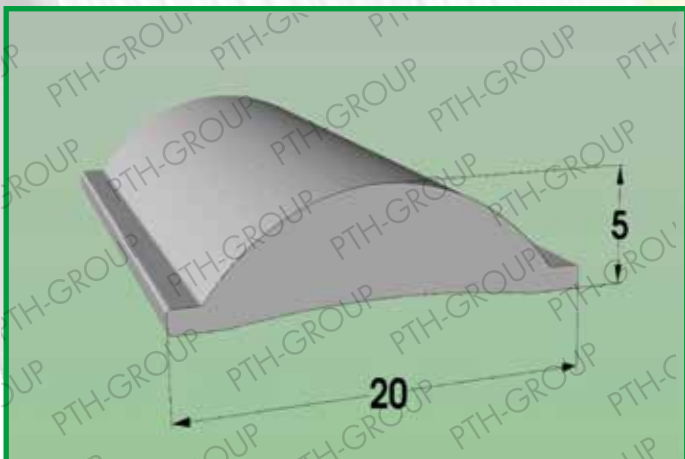


**Profile 1010.216**

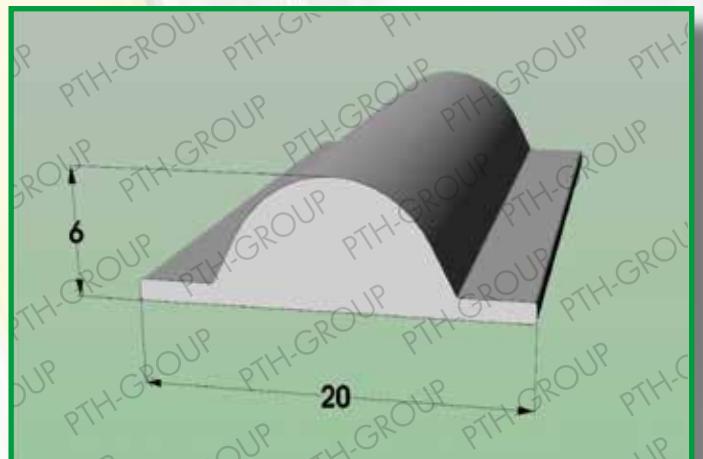
**Material: PMMA CLEAR / SATIN**



**Profile 1010.316**  
**Material: PMMA CLEAR / SATIN**

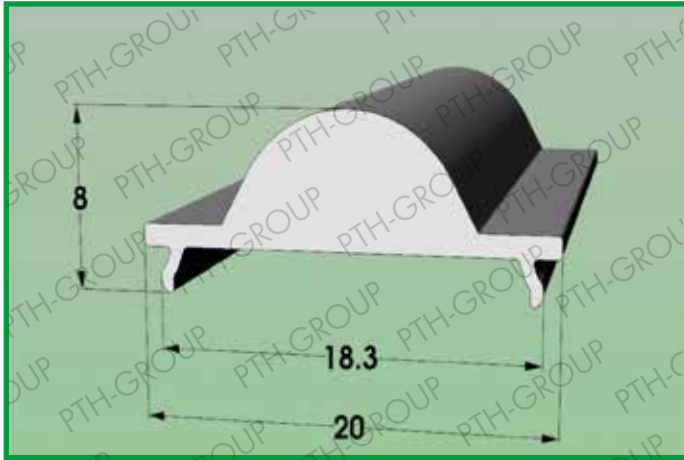


**Profile 1010.326**  
**Material: PMMA CLEAR / SATIN**

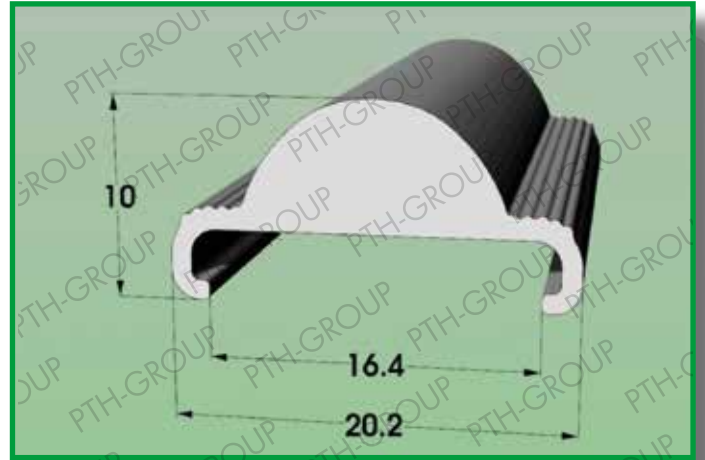




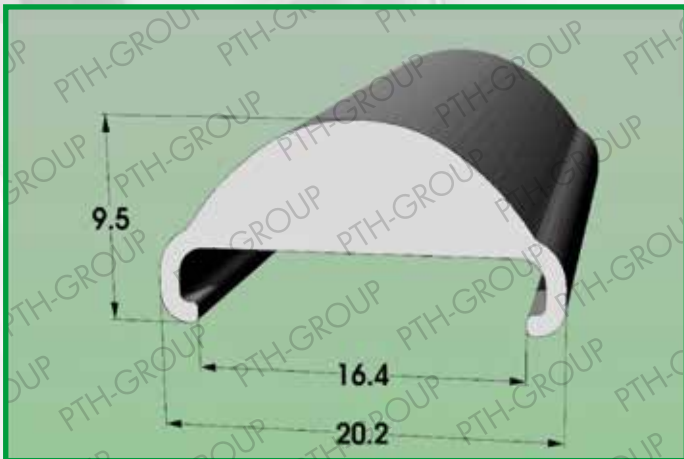
**Profile 1010.217**  
**Material: PMMA CLEAR / SATIN**



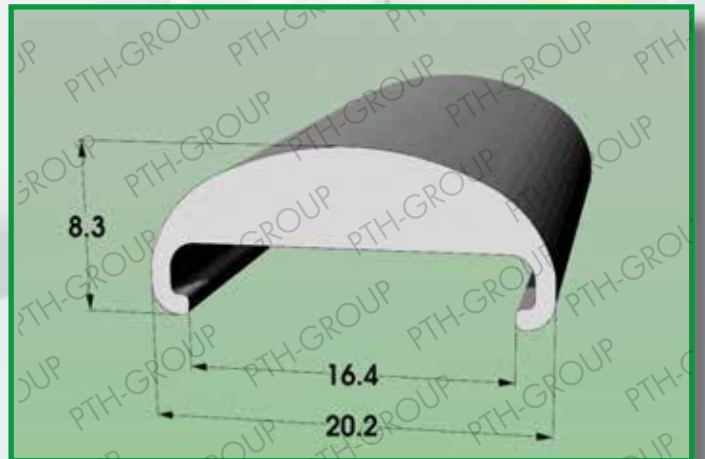
**Profile 1010.270**  
**Material: PMMA CLEAR / SATIN**



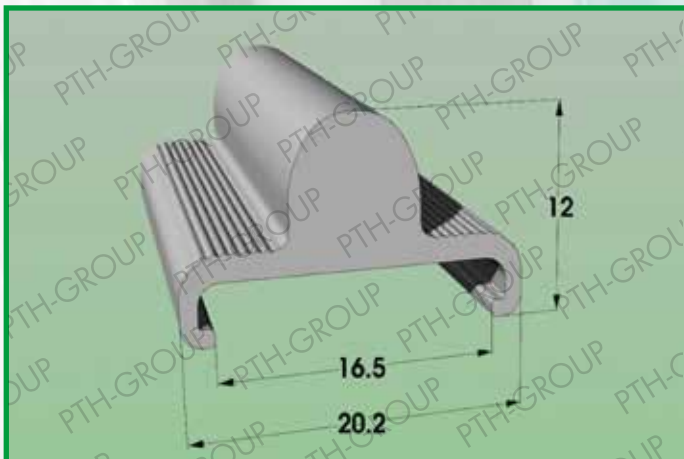
**Profile 1010.271**  
**Material: PMMA CLEAR / SATIN**



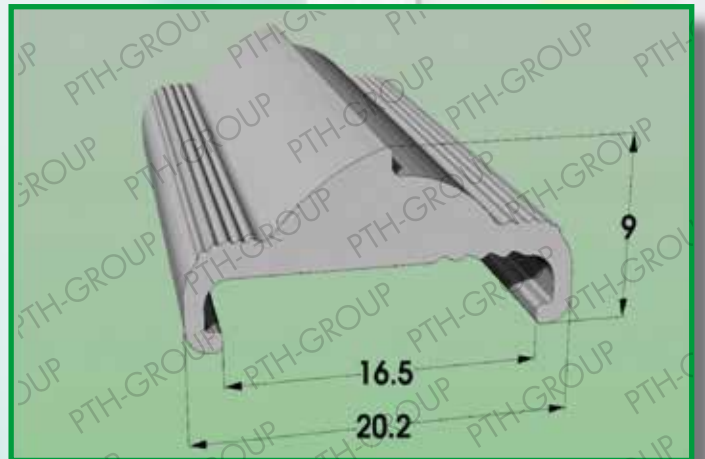
**Profile 1010.272**  
**Material: PMMA CLEAR / SATIN**



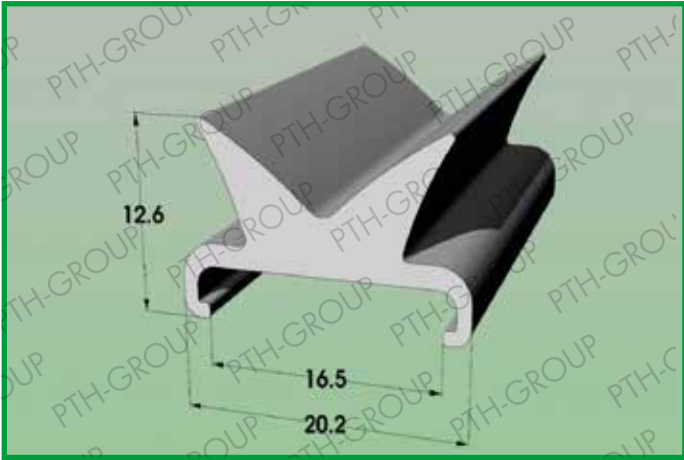
**Profile 1010.312**  
**Material: PMMA CLEAR / SATIN**



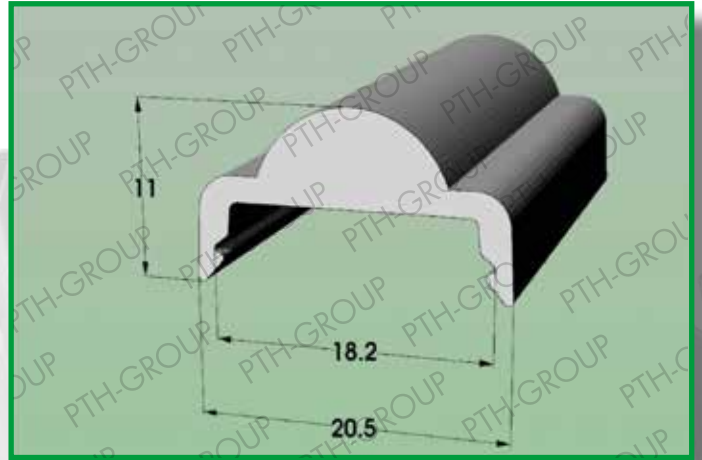
**Profile 1010.313**  
**Material: PMMA CLEAR / SATIN**



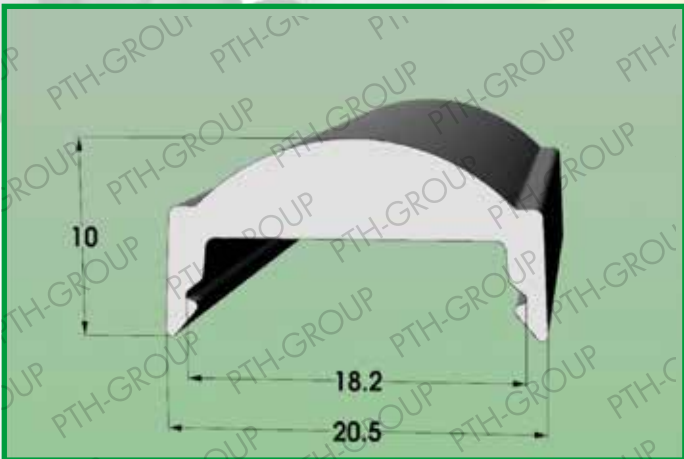
**Profile 1010.314**  
**Material: PMMA CLEAR / SATIN**



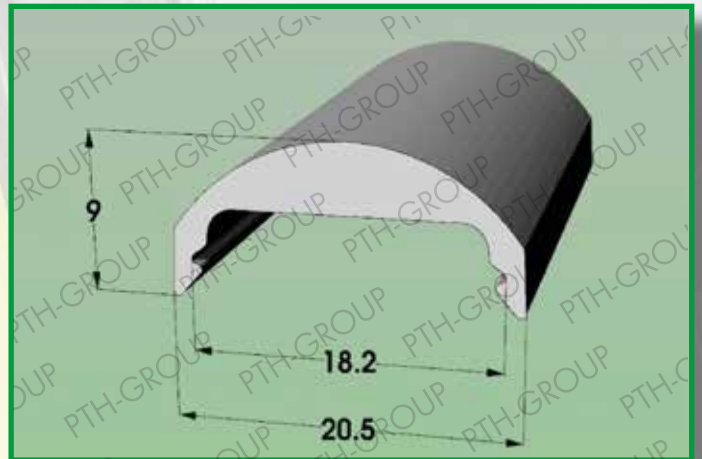
**Profile 1010.106**  
**Material: POLYCARBONATE CLEAR**  
**PMMA CLEAR / SATIN**



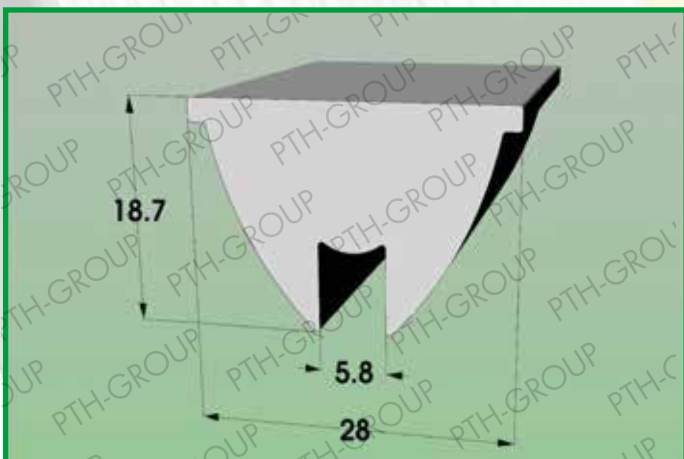
**Profile 1010.112**  
**Material: POLYCARBONATE CLEAR**  
**PMMA CLEAR / SATIN**



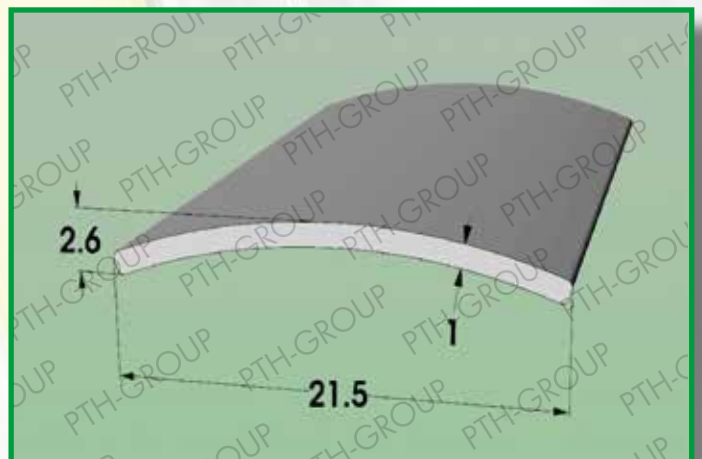
**Profile 1010.119**  
**Material: POLYCARBONATE CLEAR**  
**PMMA CLEAR / SATIN**



**Profile 1010.371**  
**Material: PMMA CLEAR / SATIN**

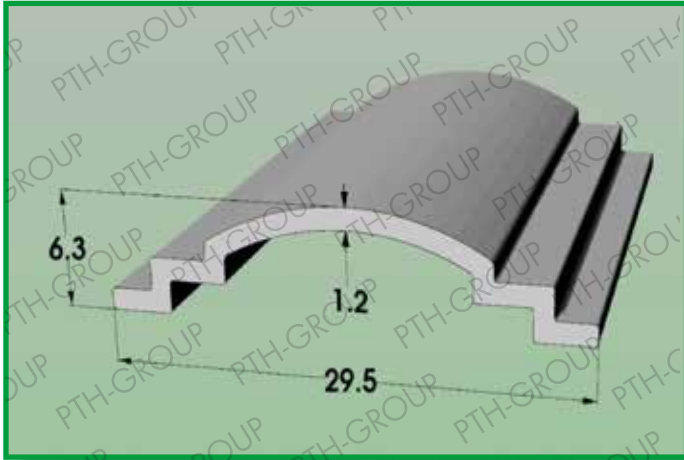


**Profile 1010.274**  
**Material: POLYCARBONATE CLEAR / OPAL**



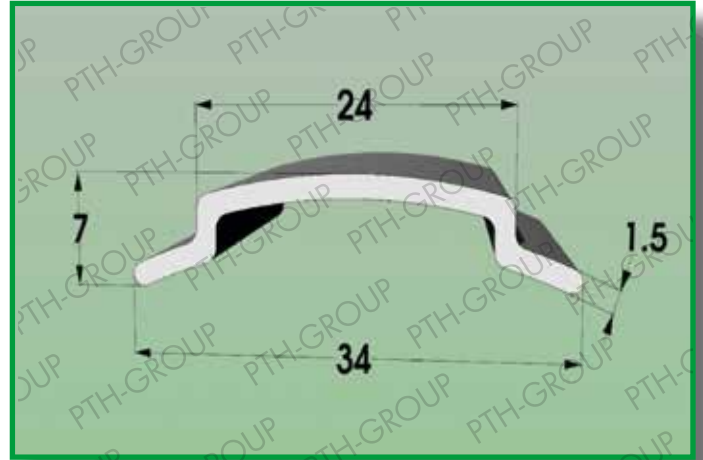
**Profile 1010.278**

**Material: POLYCARBONATE CLEAR / OPAL**



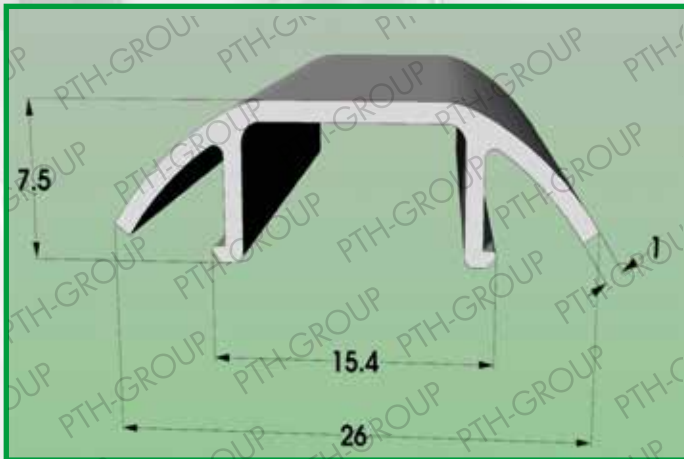
**Profile 1010.65**

**Material: POLYCARBONATE CLEAR / OPAL / SATIN SBB**



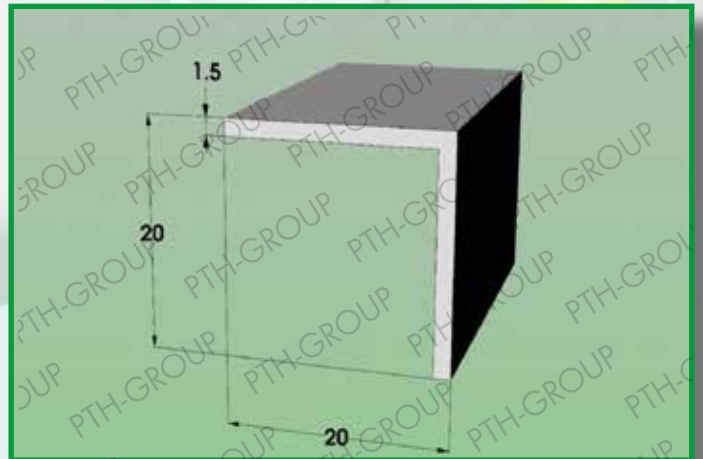
**Profile 1010.83**

**Material: POLYCARBONATE CLEAR / OPAL**



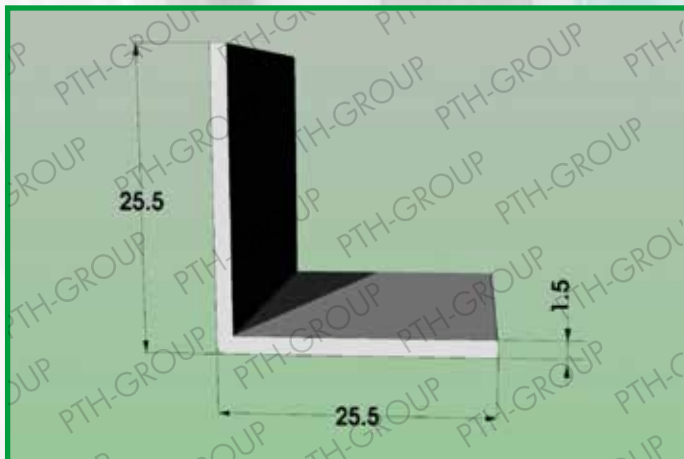
**Profile 1010.85**

**Material: POLYCARBONATE CLEAR / OPAL  
PMMA SATIN**



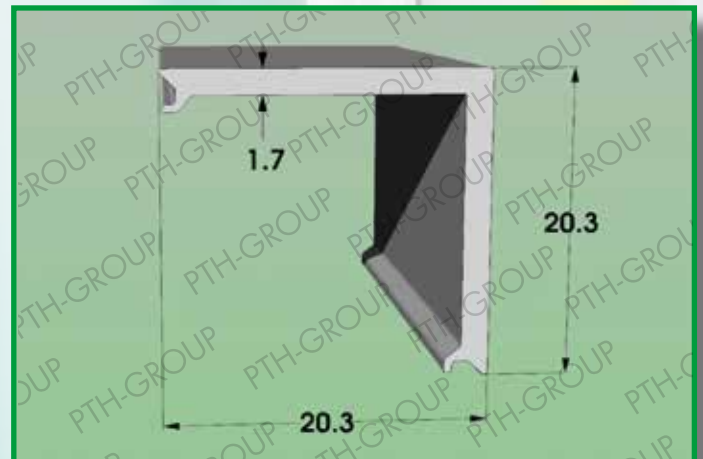
**Profile 1010.25**

**Material: POLYCARBONATE CLEAR / OPAL  
PMMA SATIN**



**Profile 1010.304**

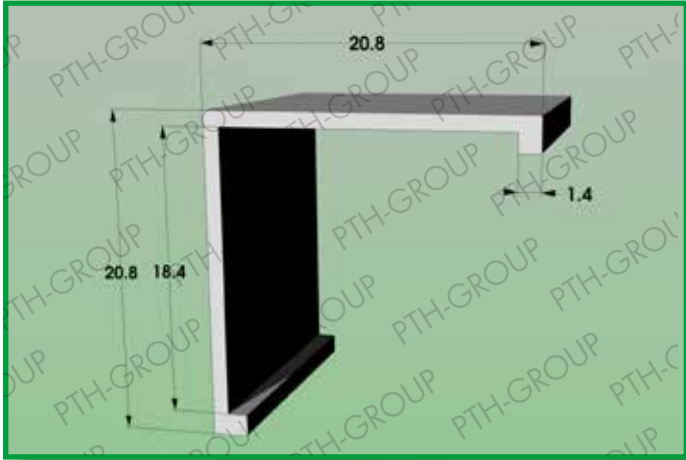
**Material: PMMA CLEAR / SATIN**





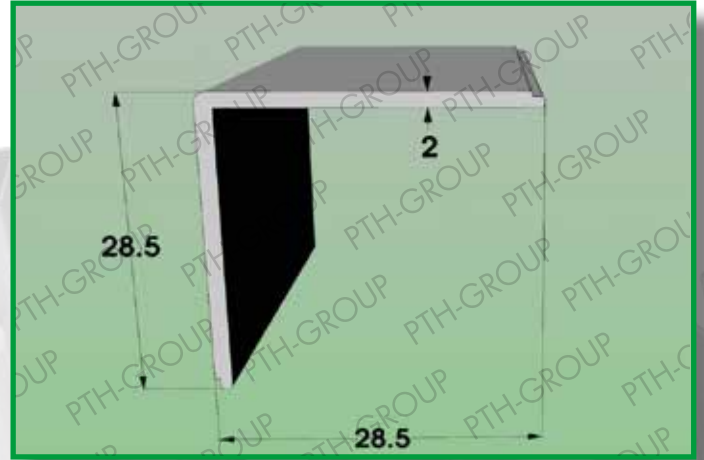
**Profile 1010.503**

**Material: POLYCARBONATE CLEAR / OPAL / SATIN SBB  
PMMA SATIN**



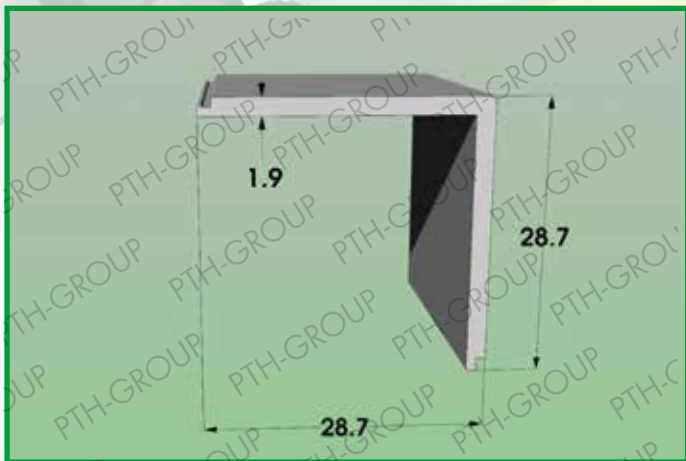
**Profile 1010.404**

**Material: POLYCARBONATE CLEAR / OPAL  
PMMA CLEAR / SATIN**



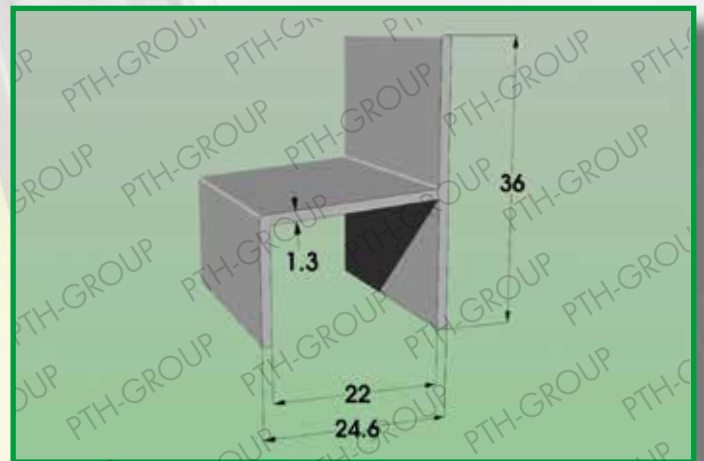
**Profile 1010.305**

**Material: PMMA CLEAR / SATIN**



**Profile 1010.339**

**Material: POLYCARBONATE CLEAR / OPAL**





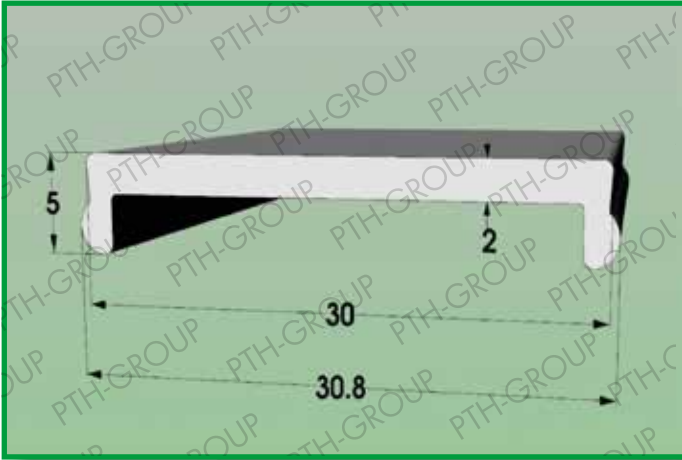






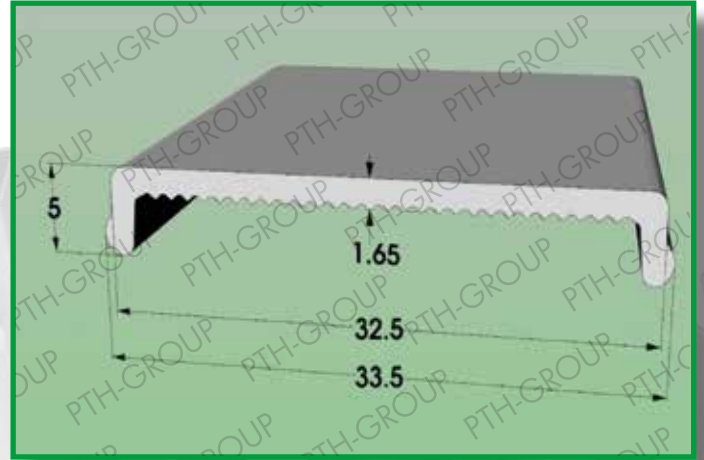
**Profile 1010.294**

**Material: POLYCARBONATE CLEAR / OPAL  
PMMA CLEAR / SATIN**



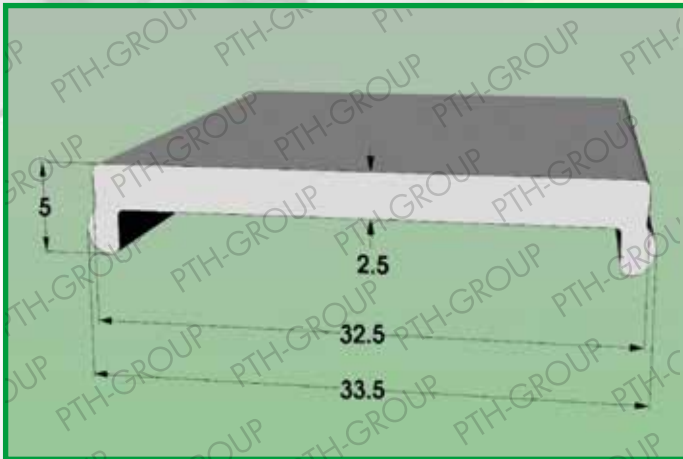
**Profile 1010.50**

**Material: POLYCARBONATE CLEAR / OPAL  
PMMA CLEAR / SATIN**



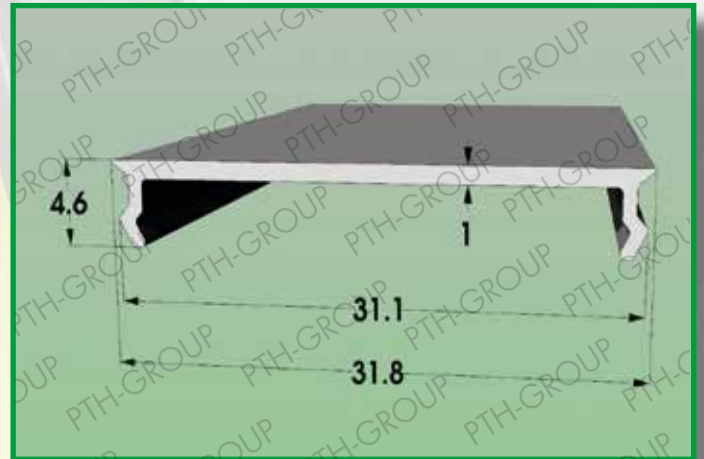
**Profile 1010.51**

**Material: POLYCARBONATE CLEAR / OPAL / SATIN  
PMMA CLEAR / SATIN**



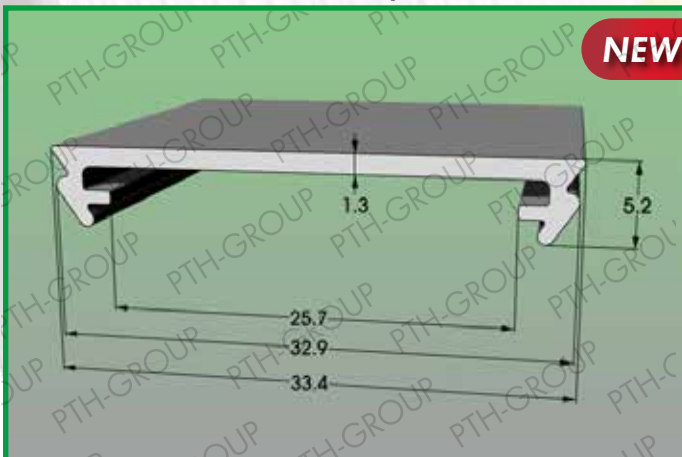
**Profile 1010.418**

**Material: POLYCARBONATE CLEAR / OPAL**



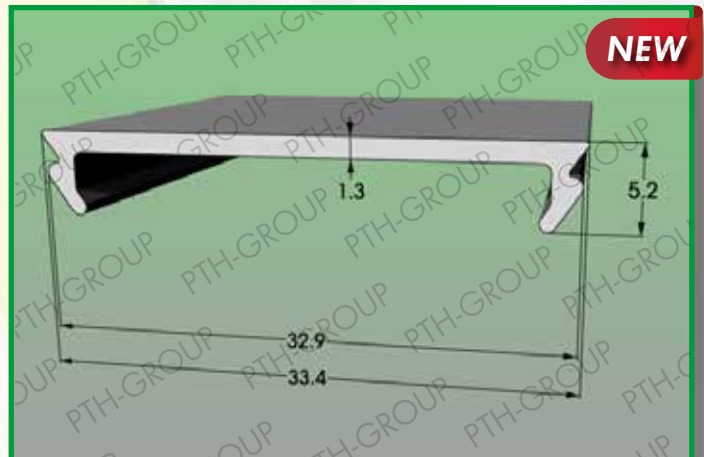
**Profile 1010.551**

**Material: POLYCARBONATE CLEAR / OPAL / SATIN SBB  
PMMA CLEAR / SATIN**



**Profile 1010.552**

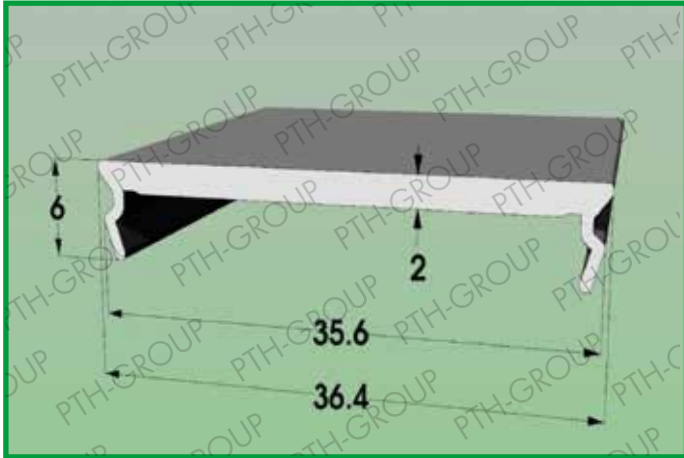
**Material: POLYCARBONATE CLEAR / OPAL / SATIN SBB  
PMMA CLEAR / SATIN**





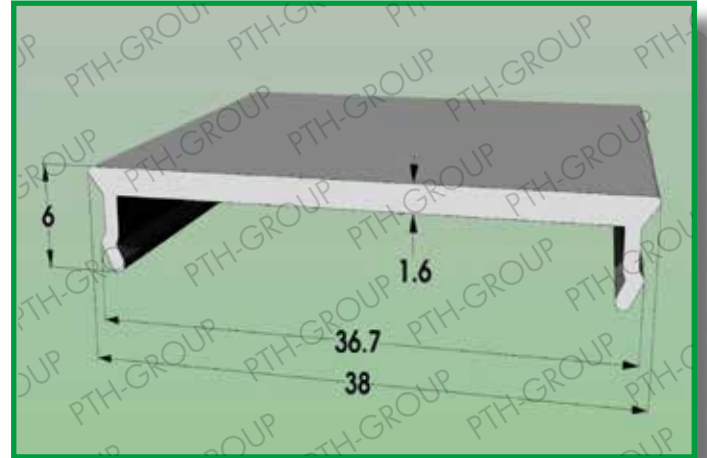
**Profile 1010.351**

**Material: POLYCARBONATE CLEAR / OPAL / SATIN SBB  
PMMA CLEAR / SATIN**



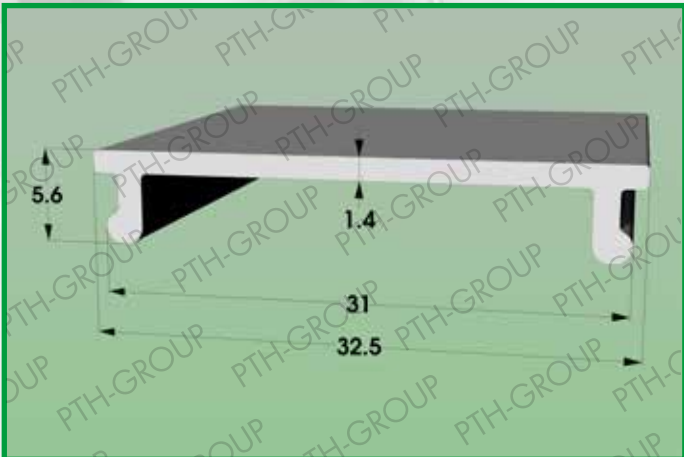
**Profile 1010.379**

**Material: POLYCARBONATE CLEAR / OPAL / SATIN SBB  
PMMA CLEAR / SATIN**



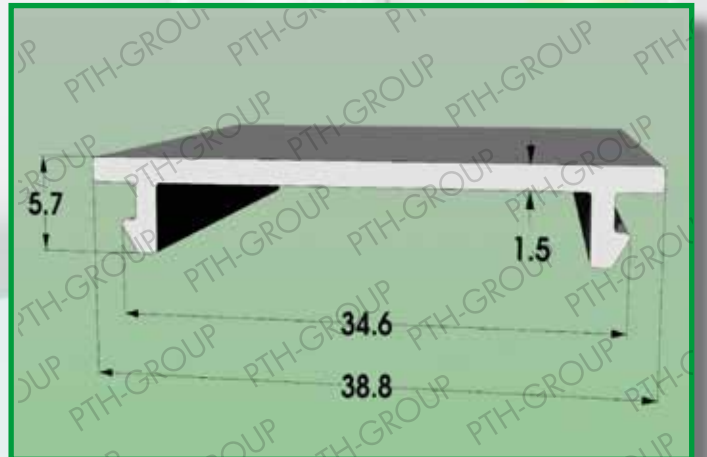
**Profile 1010.482**

**Material: POLYCARBONATE CLEAR / OPAL / SATIN SBB  
PMMA SATIN**



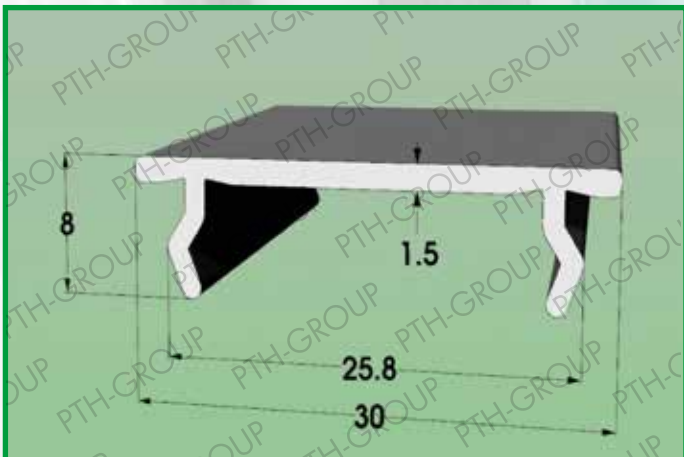
**Profile 1010.266**

**Material: PMMA CLEAR / SATIN**



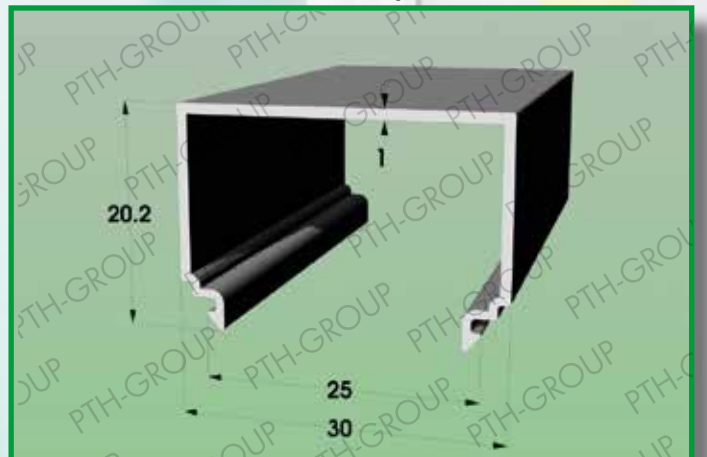
**Profile 1010.318**

**Material: POLYCARBONATE CLEAR / OPAL / SATIN SBB  
PMMA CLEAR / SATIN**



**Profile 1010.438**

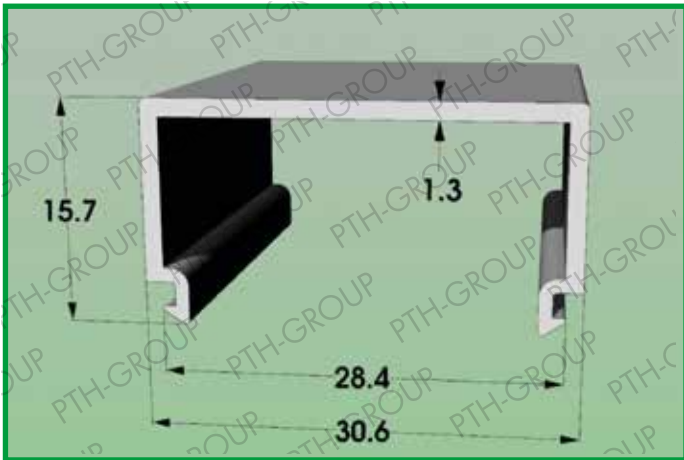
**Material: POLYCARBONATE CLEAR / OPAL  
PMMA CLEAR / SATIN**





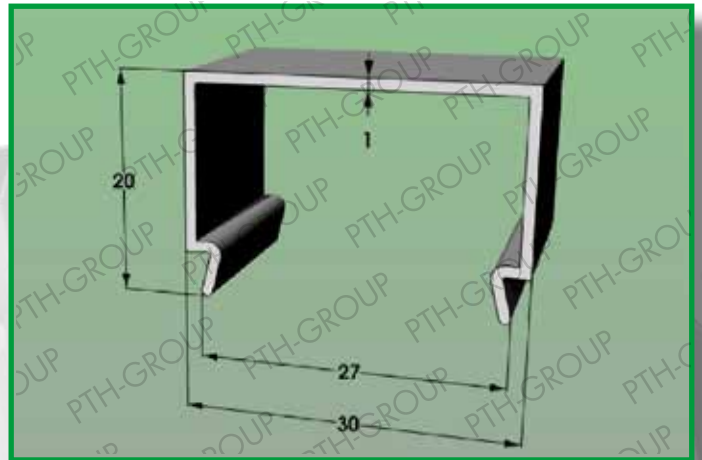
**Profile 1010.303**

**Material: POLYCARBONATE CLEAR / OPAL  
PMMA CLEAR / SATIN**



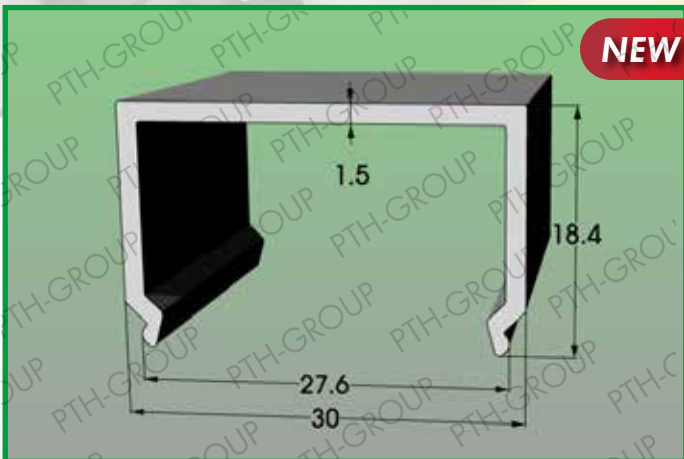
**Profile 1010.494**

**Material: POLYCARBONATE CLEAR / OPAL / SATIN SBB  
PMMA SATIN**



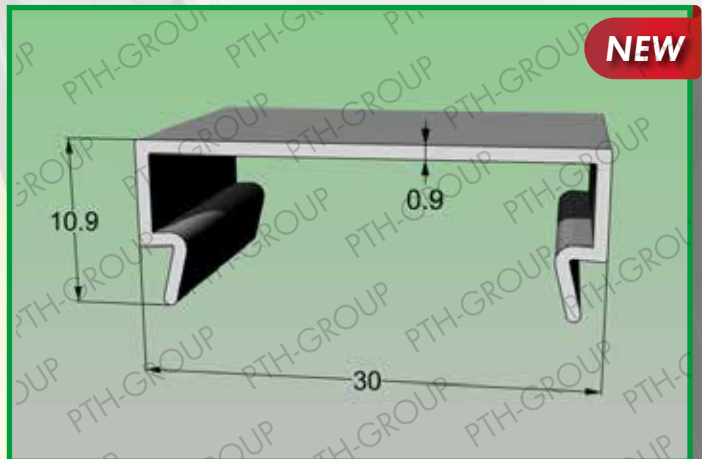
**Profile 1010.554**

**Material: POLYCARBONATE CLEAR / OPAL / SATIN SBB  
PMMA CLEAR / SATIN**



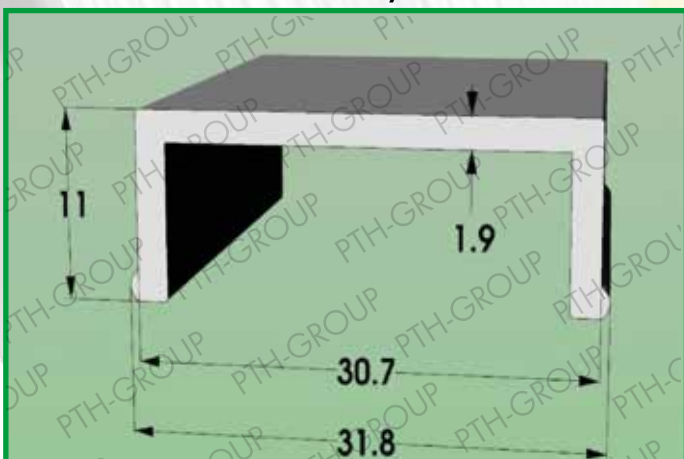
**Profile 1010.522**

**Material: POLYCARBONATE CLEAR / OPAL / SATIN SBB  
PMMA CLEAR / SATIN**



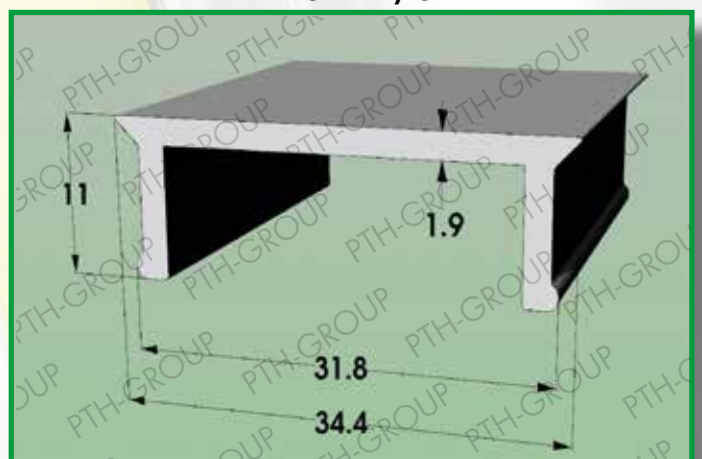
**Profile 1010.340**

**Material: POLYCARBONATE CLEAR / OPAL / SATIN SBB  
PMMA CLEAR / SATIN**

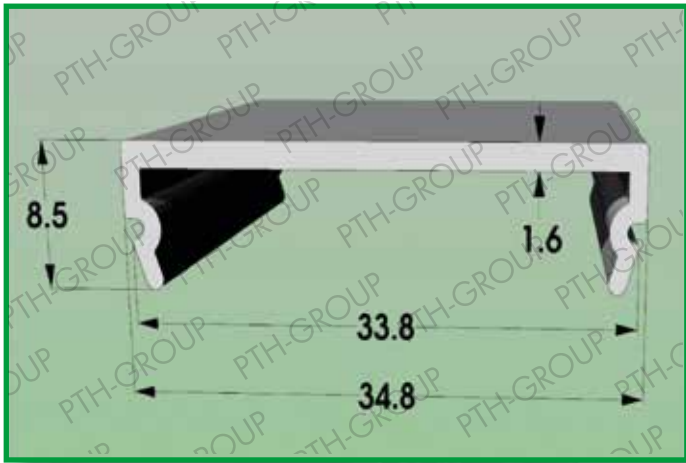


**Profile 1010.341**

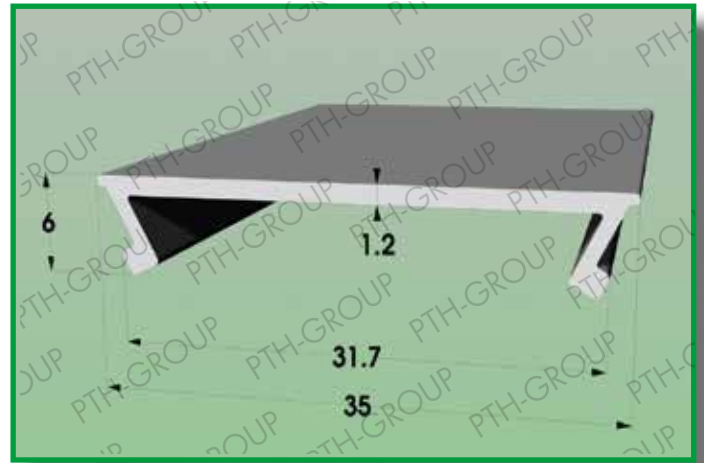
**Material: POLYCARBONATE CLEAR / OPAL / SATIN SBB  
PMMA CLEAR / SATIN**



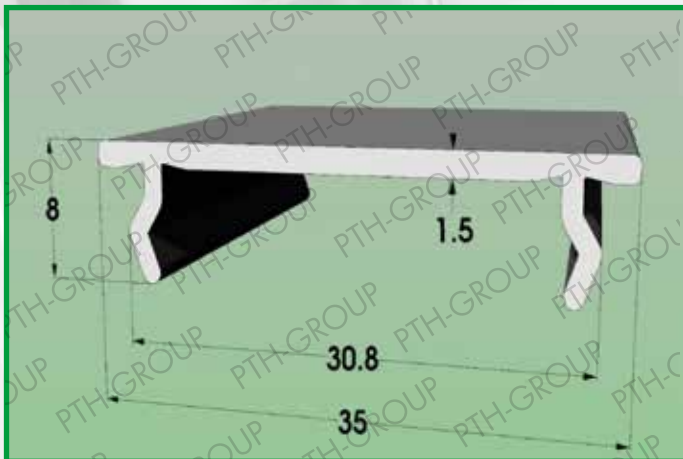
**Profile 1010.180**  
**Material: POLYCARBONATE CLEAR / OPAL**  
**PMMA CLEAR / SATIN**



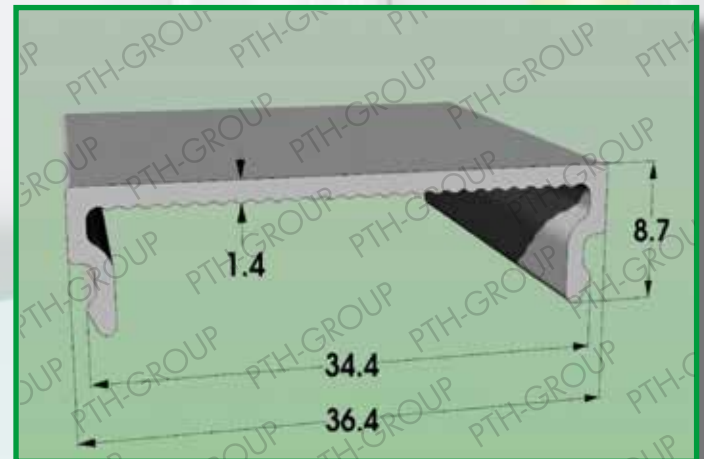
**Profile 1010.449**  
**Material: POLYCARBONATE CLEAR / OPAL**



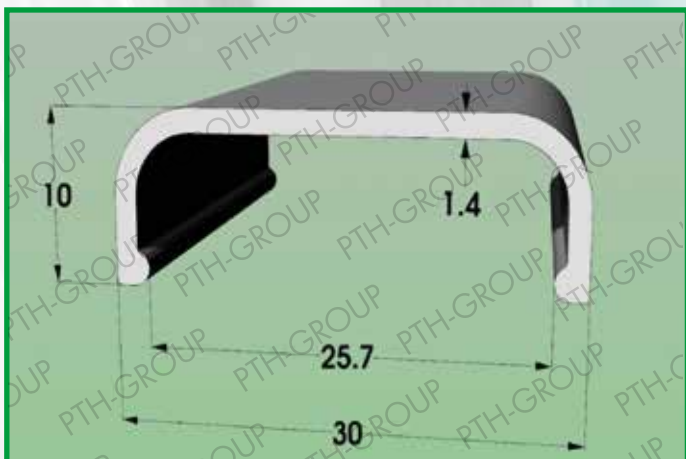
**Profile 1010.319**  
**Material: POLYCARBONATE CLEAR / OPAL / SATIN SBB**  
**PMMA CLEAR / SATIN**



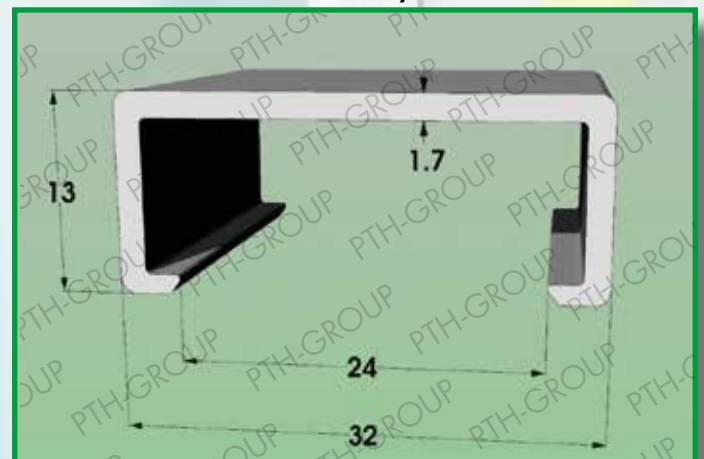
**Profile 1010.357**  
**Material: PMMA CLEAR / SATIN**



**Profile 1010.224**  
**Material: POLYCARBONATE CLEAR / OPAL**



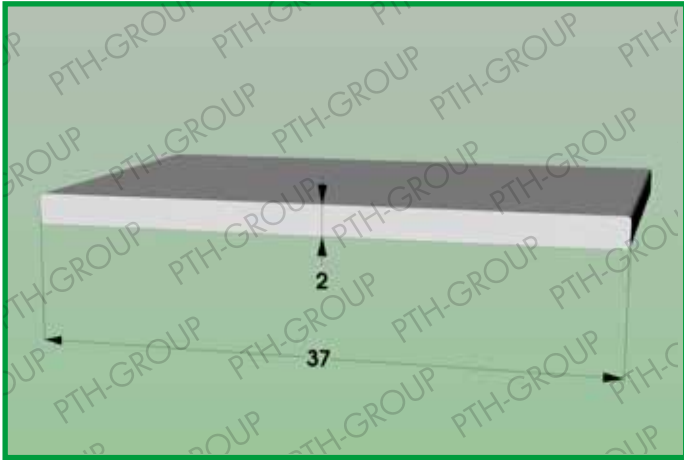
**Profile 1010.427**  
**Material: POLYCARBONATE CLEAR / OPAL**  
**PMMA CLEAR / SATIN**





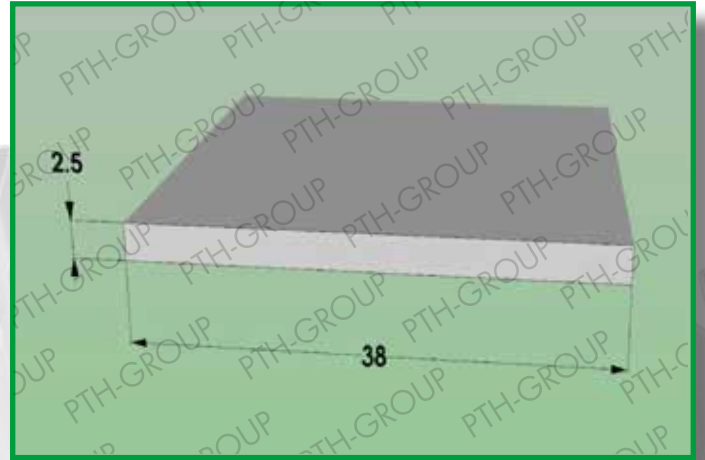
**Profile 1010.481**

**Material: POLYCARBONATE CLEAR / OPAL / SATIN SBB  
PMMA SATIN**



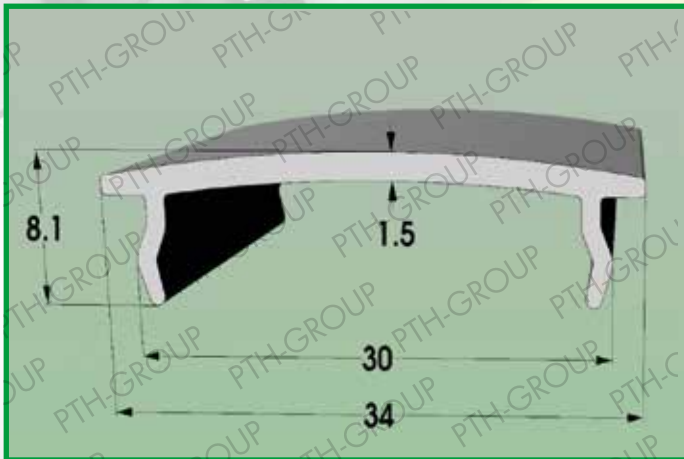
**Profile 1010.56**

**Material: PMMA SATIN**



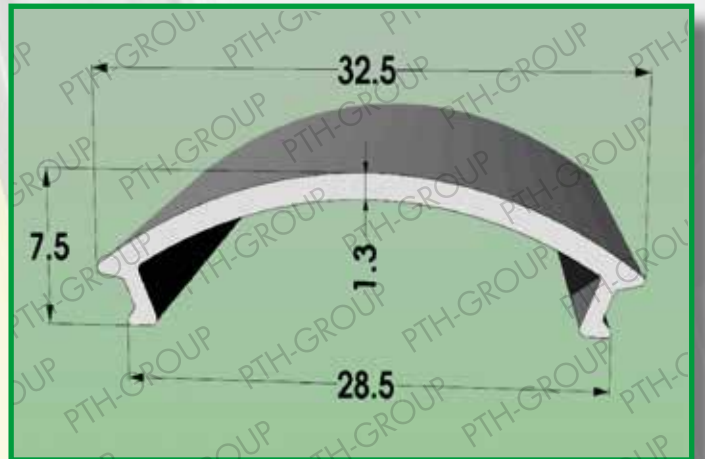
**Profile 1010.429**

**Material: POLYCARBONATE CLEAR / OPAL  
PMMA SATIN**



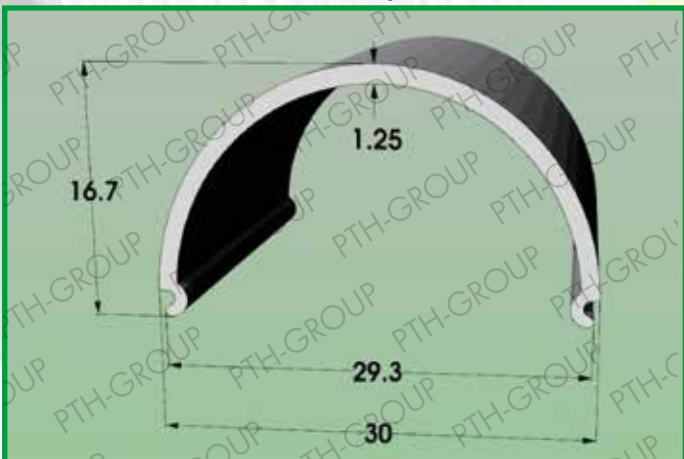
**Profile 1010.20**

**Material: POLYCARBONATE CLEAR / OPAL  
PMMA SATIN**



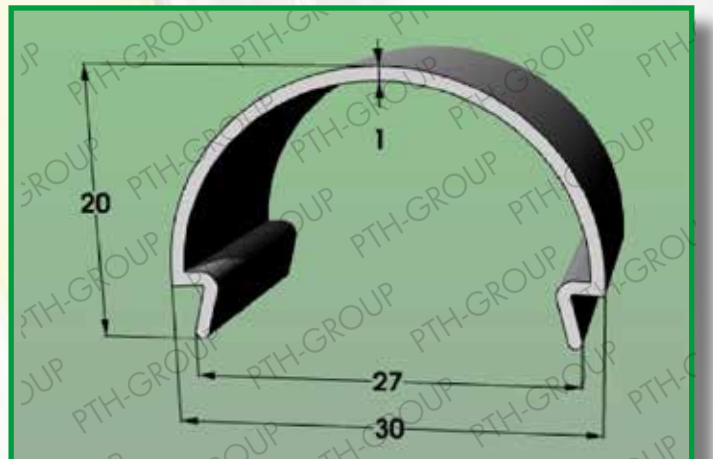
**Profile 1010.287**

**Material: POLYCARBONATE CLEAR / OPAL  
PMMA CLEAR / SATIN**



**Profile 1010.493**

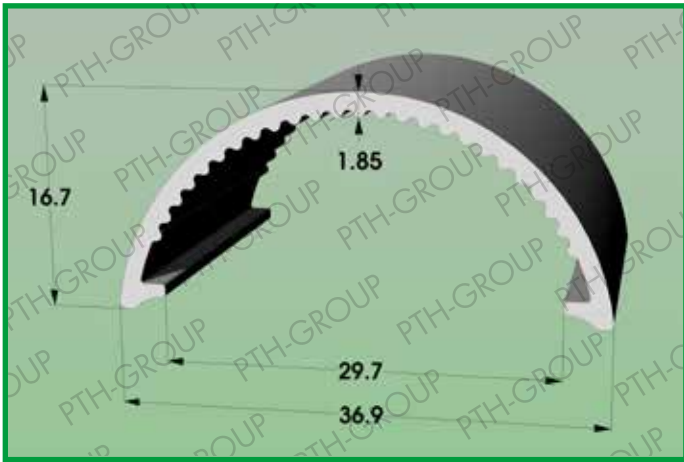
**Material: POLYCARBONATE CLEAR / OPAL / SATIN SBB  
PMMA SATIN**





**Profile 1010.485**

**Material: POLYCARBONATE CLEAR / OPAL / SATIN SBB  
PMMA SATIN**



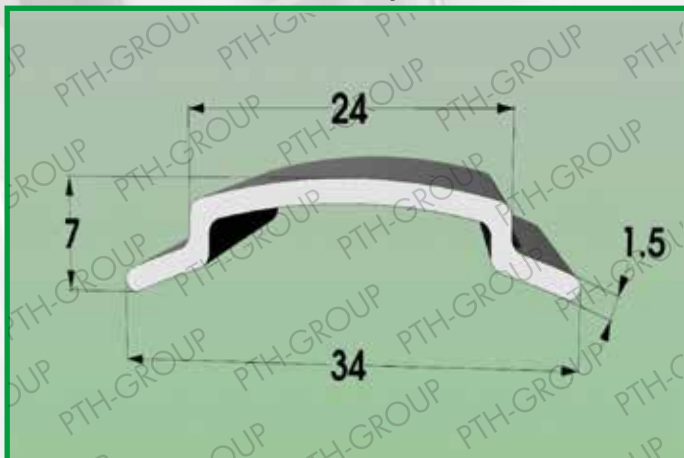
**Profile 1010.335**

**Material: POLYCARBONATE CLEAR / OPAL  
PMMA CLEAR / SATIN**



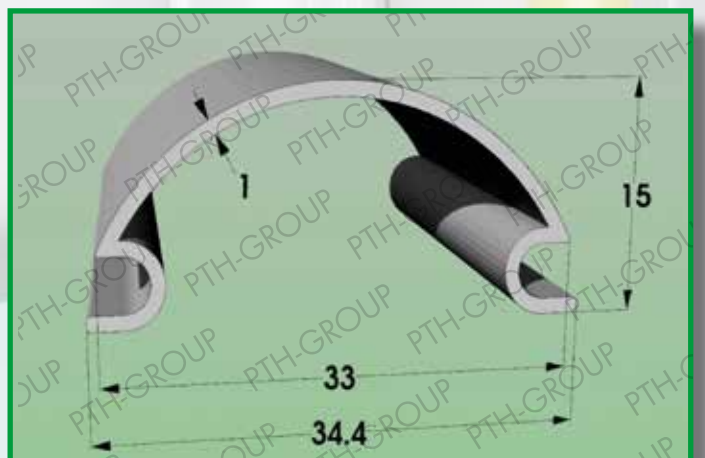
**Profile 1010.65**

**Material: POLYCARBONATE CLEAR / OPAL / SATIN SBB  
PMMA CLEAR / SATIN**



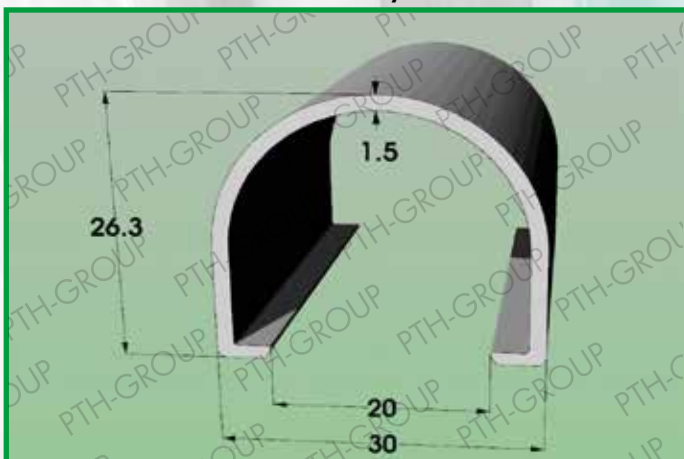
**Profile 1010.366**

**Material: POLYCARBONATE CLEAR / OPAL / SATIN SBB**



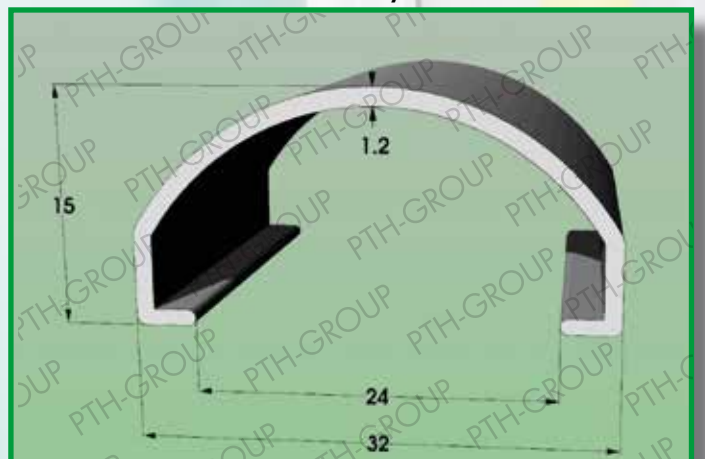
**Profile 1010.390**

**Material: POLYCARBONATE CLEAR / OPAL  
PMMA CLEAR / SATIN**

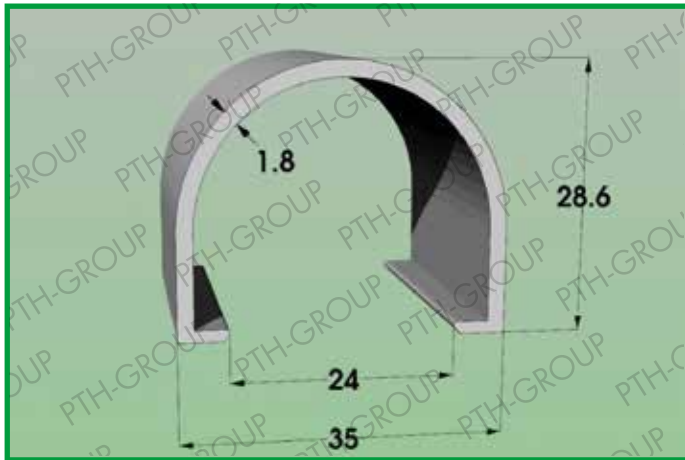


**Profile 1010.433**

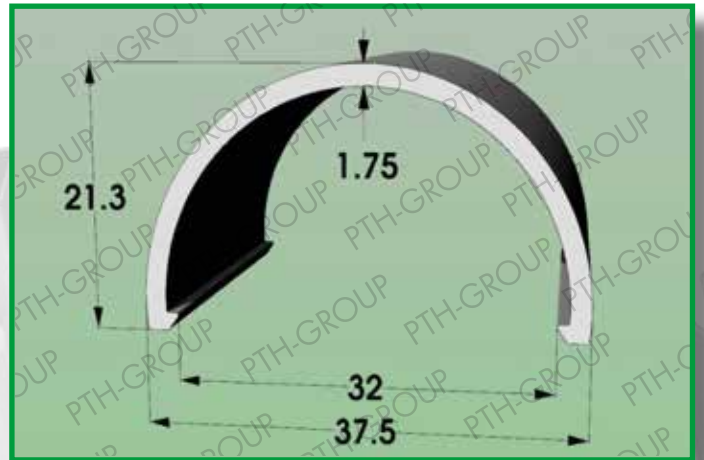
**Material: POLYCARBONATE CLEAR / OPAL  
PMMA CLEAR / SATIN**



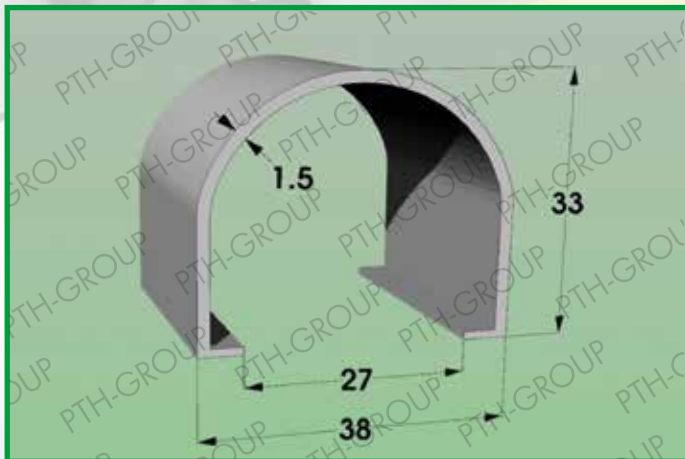
**Profile 1010.338**  
**Material: POLYCARBONATE CLEAR / OPAL**  
**PMMA CLEAR / SATIN**



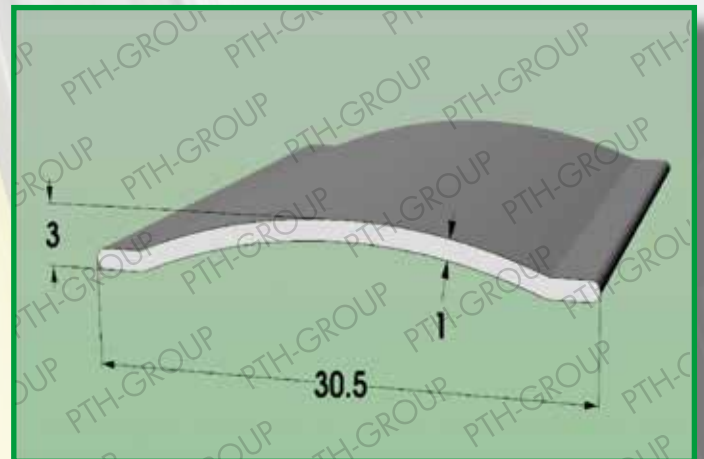
**Profile 1010.376**  
**Material: POLYCARBONATE CLEAR / OPAL / SATIN SBB**  
**PMMA CLEAR / SATIN**



**Profile 1010.350**  
**Material: POLYCARBONATE CLEAR / OPAL**  
**PMMA CLEAR / SATIN**



**Profile 1010.236**  
**Material: POLYCARBONATE CLEAR / OPAL / SATIN SBB**



**Profile 1010.234**  
**Material: POLYCARBONATE CLEAR / OPAL**



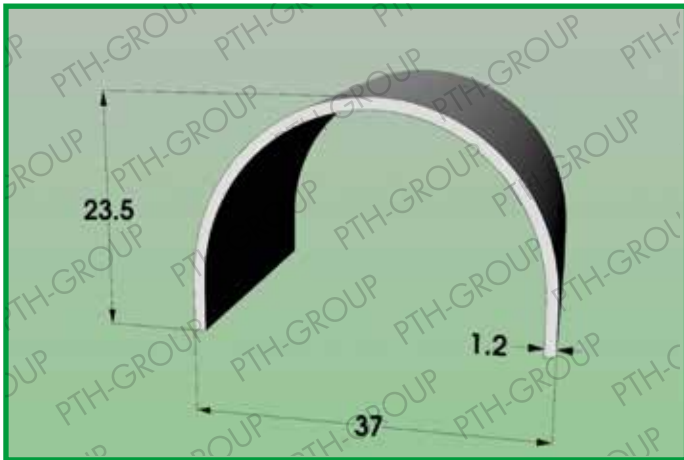
**Profile 1010.347**  
**Material: POLYCARBONATE CLEAR / OPAL**  
**PMMA CLEAR / SATIN**





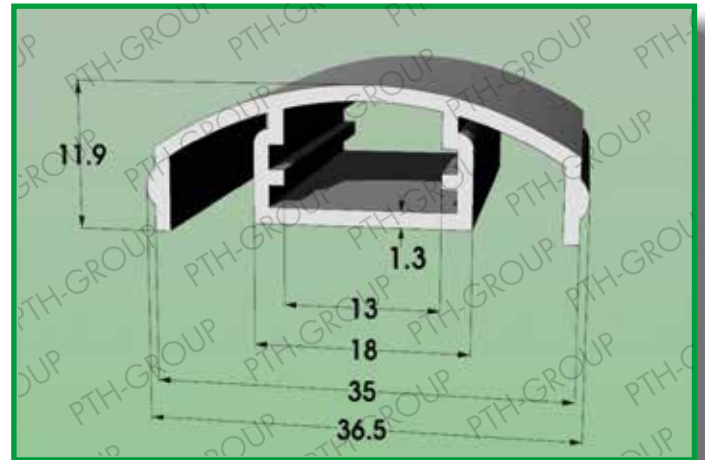
**Profile 1010.115**

**Material: POLYCARBONATE CLEAR / OPAL**



**Profile 1010.126**

**Material: POLYCARBONATE CLEAR / OPAL**



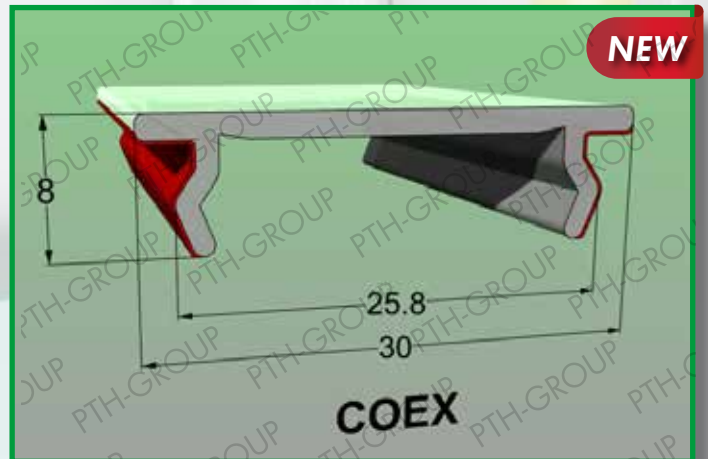
**Profile 1010.125**

**Material: POLYCARBONATE COEXTRUDED**



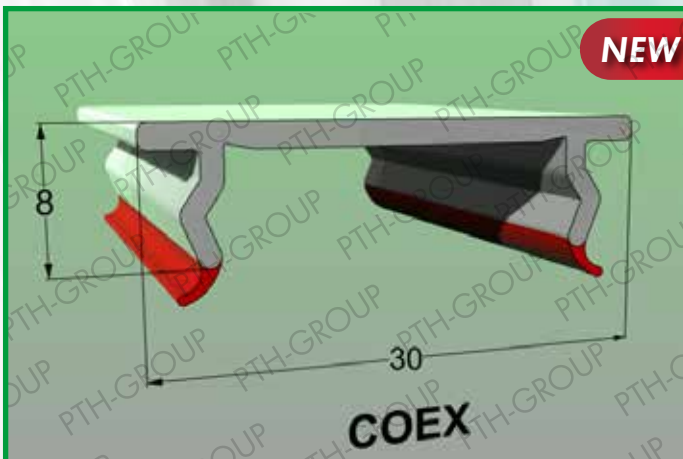
**Profile 1010.318 model A**

**Material: POLYCARBONATE + SOFT LAYER**



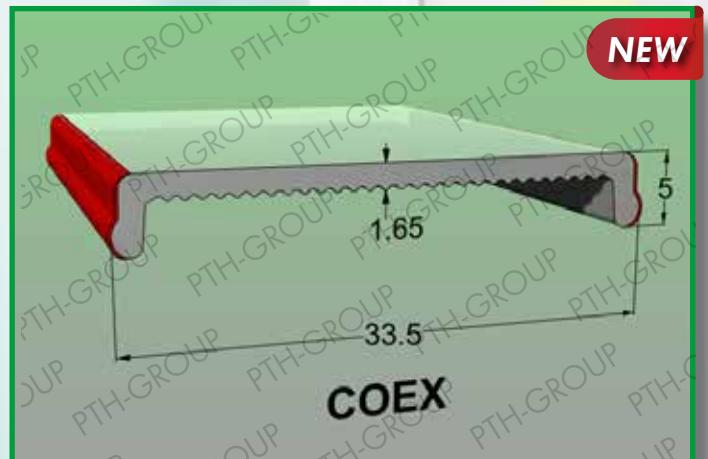
**Profile 1010.318 model B**

**Material: POLYCARBONATE + SOFT LAYER**

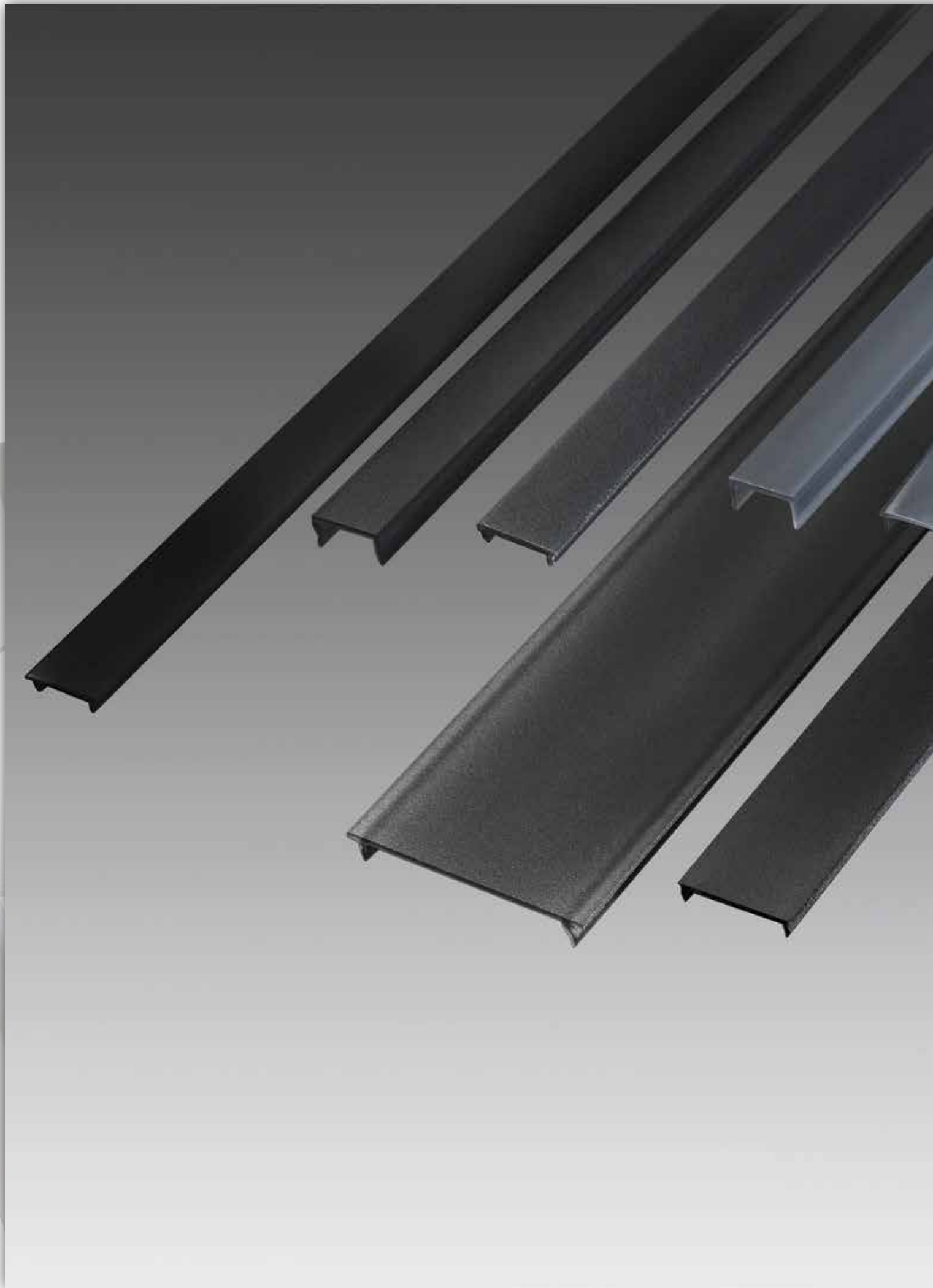


**Profile 1010.50 model A**

**Material: POLYCARBONATE + SOFT LAYER**

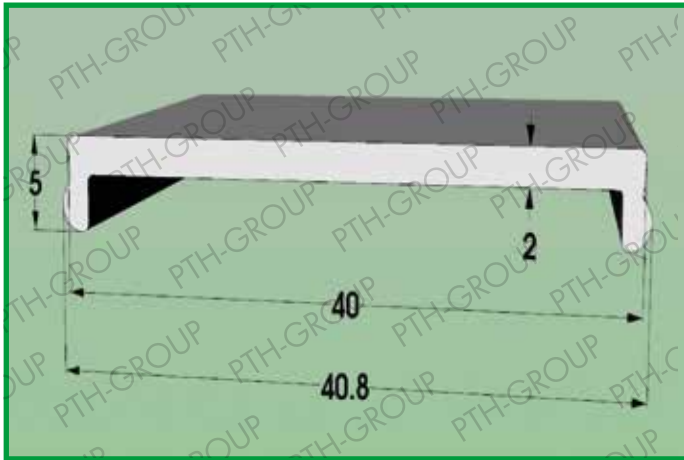




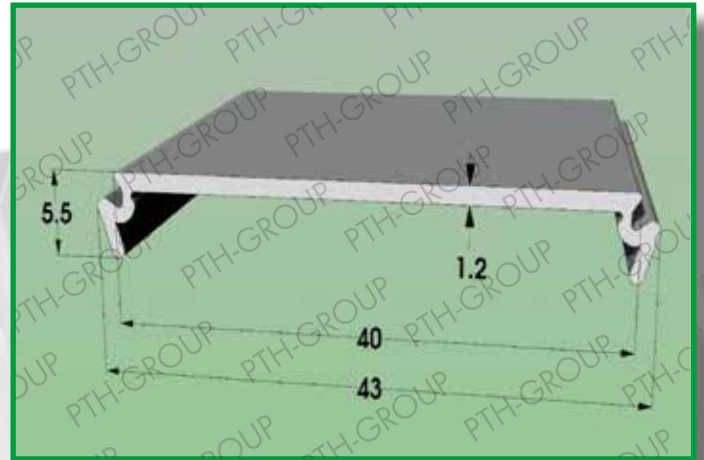




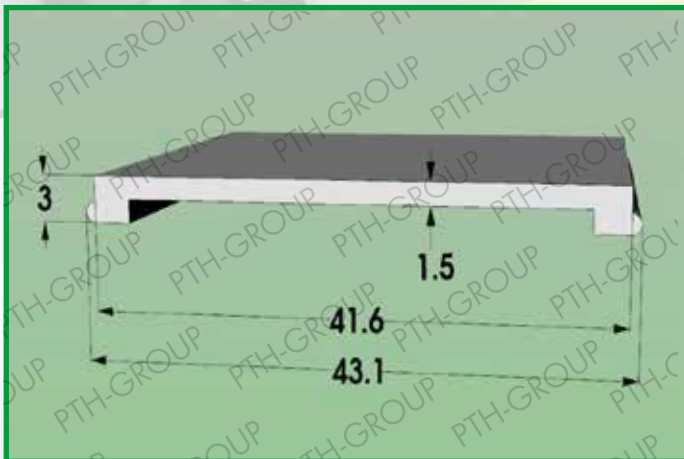
**Profile 1010.295**  
**Material: POLYCARBONATE CLEAR / OPAL**  
**PMMA CLEAR / SATIN**



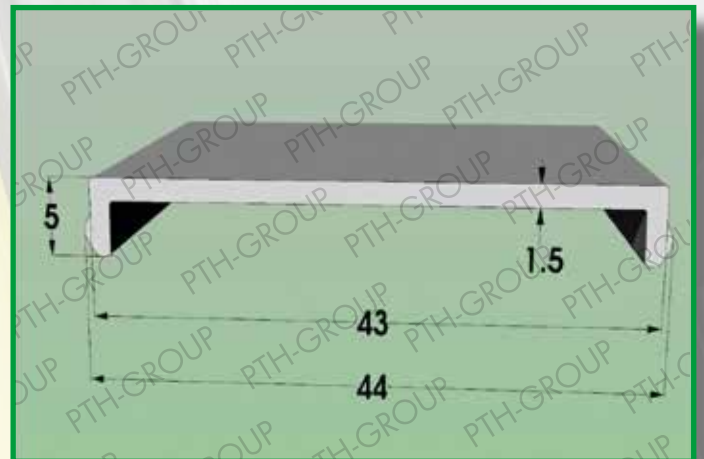
**Profile 1010.41**  
**Material: PMMA SATIN**



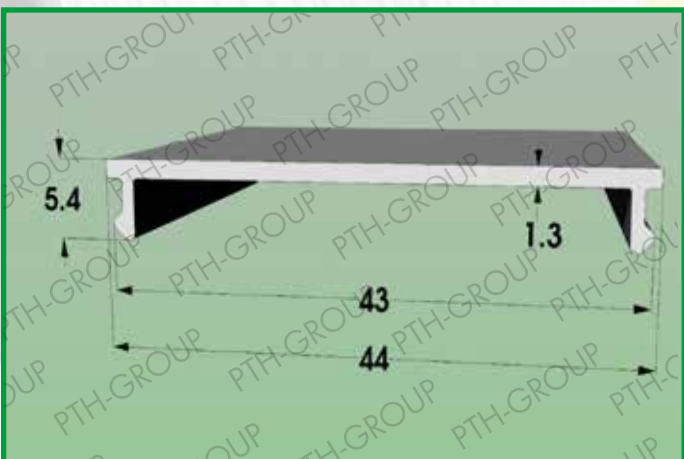
**Profile 1010.362**  
**Material: PMMA CLEAR / SATIN**



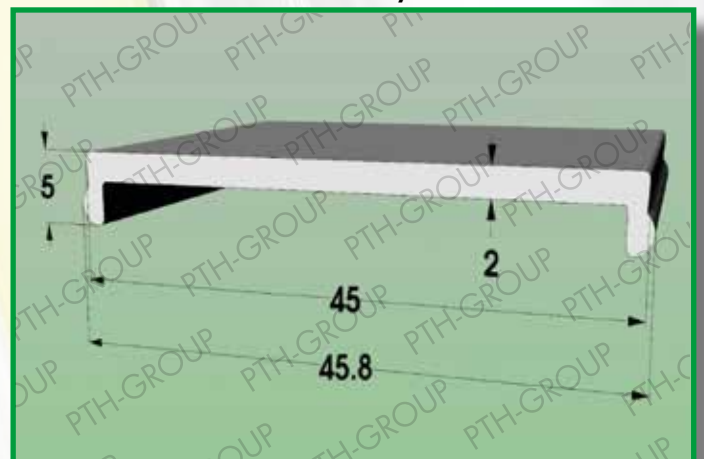
**Profile 1010.269**  
**Material: PMMA CLEAR / SATIN**



**Profile 1010.268**  
**Material: PMMA SATIN**



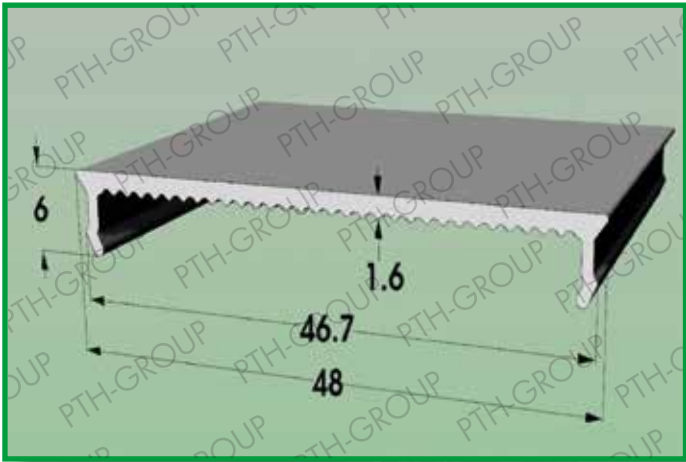
**Profile 1010.296**  
**Material: POLYCARBONATE CLEAR / OPAL**  
**PMMA CLEAR / SATIN**





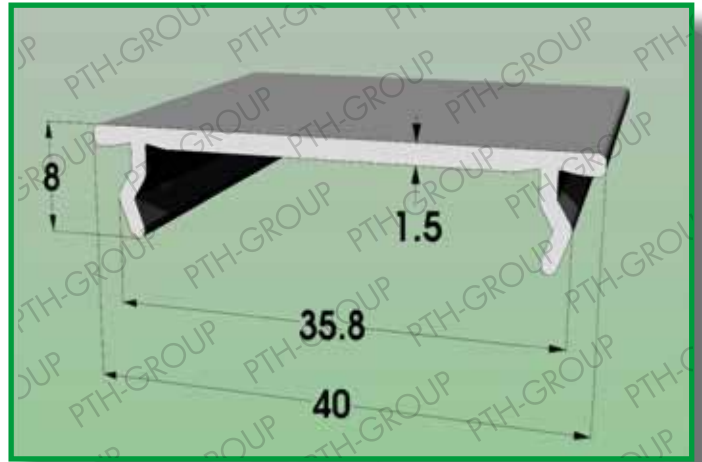
**Profile 1010.380**

**Material: POLYCARBONATE CLEAR / OPAL / SATIN SBB**



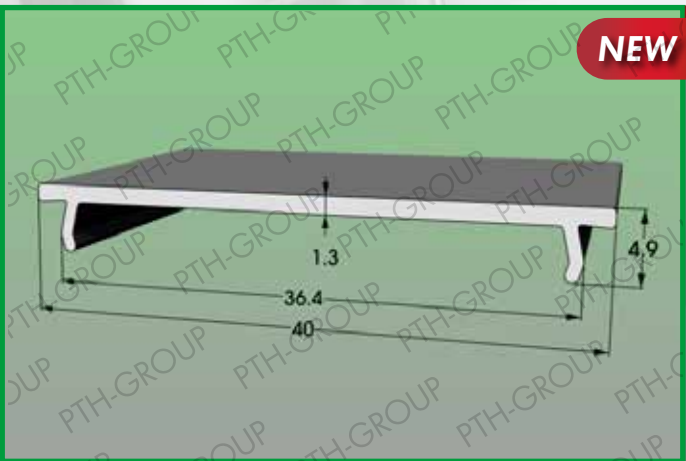
**Profile 1010.320**

**Material: POLYCARBONATE CLEAR / OPAL / SATIN SBB  
PMMA CLEAR / SATIN**



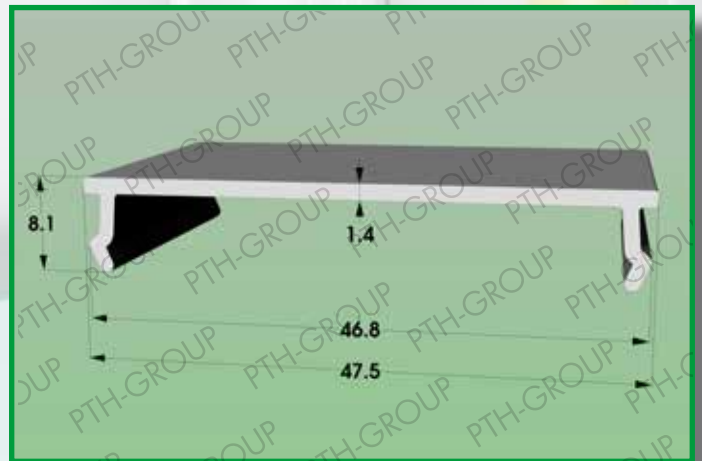
**Profile 1010.541**

**Material: POLYCARBONATE CLEAR / OPAL / SATIN SBB  
PMMA CLEAR / SATIN**



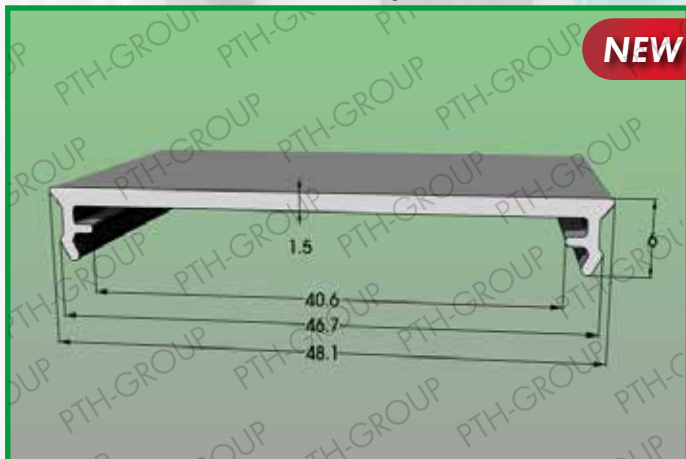
**Profile 1010.483**

**Material: POLYCARBONATE CLEAR / OPAL / SATIN SBB  
PMMA CLEAR / SATIN**



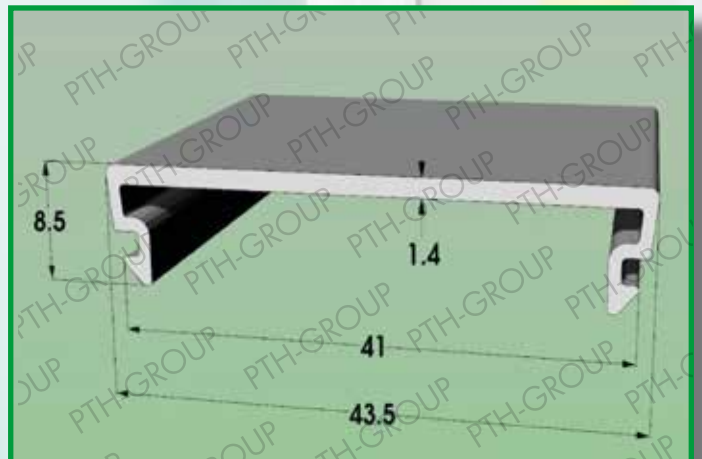
**Profile 1010.538**

**Material: POLYCARBONATE CLEAR / OPAL / SATIN SBB  
PMMA CLEAR / SATIN**



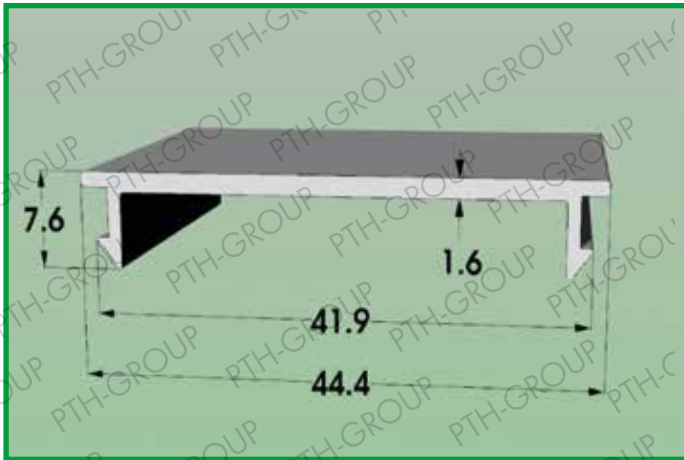
**Profile 1010.32**

**Material: POLYCARBONATE CLEAR / OPAL / SATIN SBB  
PMMA SATIN**



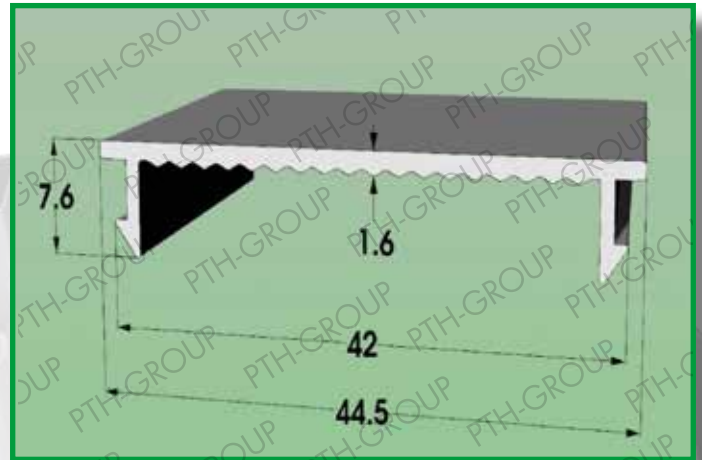
**Profile 1010.307**

**Material: POLYCARBONATE CLEAR / OPAL**



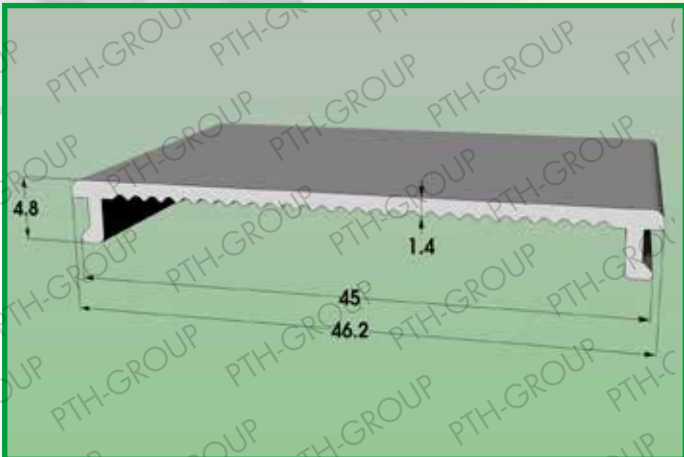
**Profile 1010.79**

**Material: POLYCARBONATE CLEAR / OPAL**



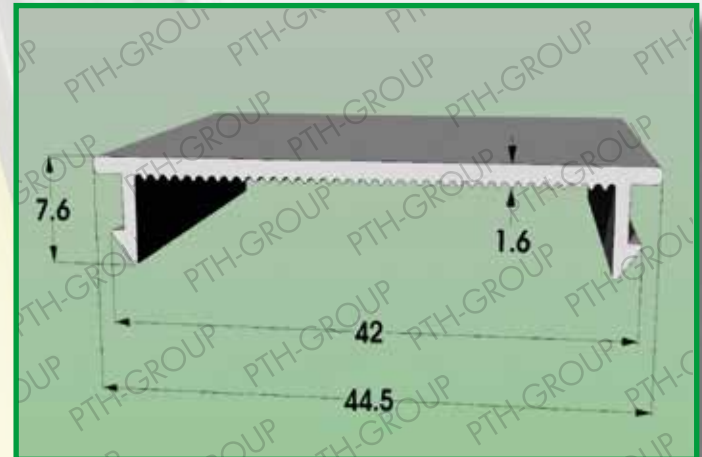
**Profile 1010.459**

**Material: POLYCARBONATE CLEAR / OPAL / SATIN SBB  
PMMA CLEAR / SATIN**



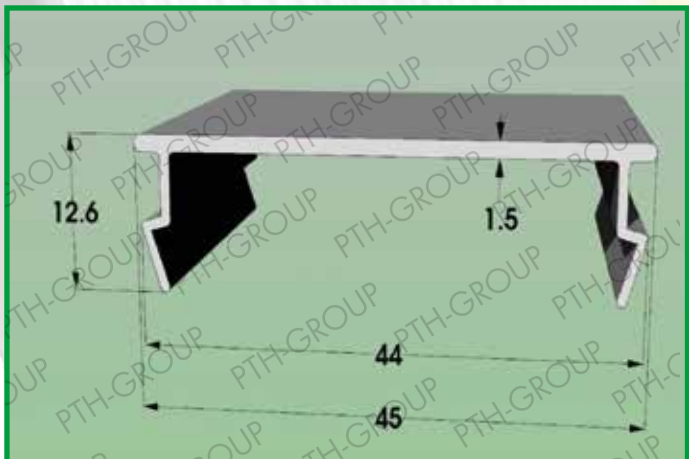
**Profile 1010.220**

**Material: POLYCARBONATE CLEAR / OPAL / SATIN SBB**



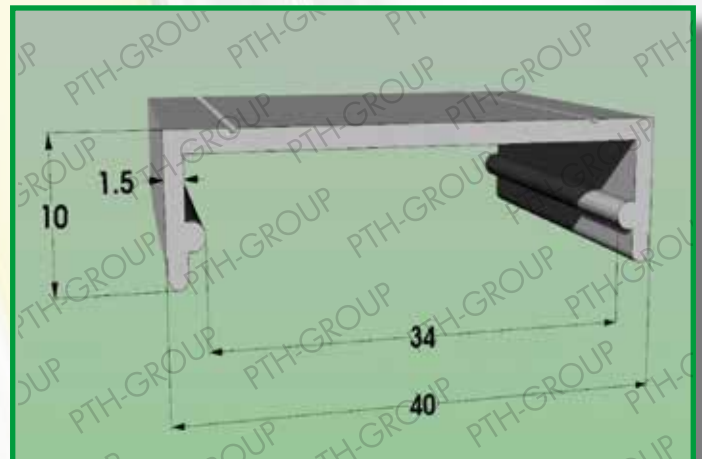
**Profile 1010.40**

**Material: POLYCARBONATE CLEAR / OPAL / SATIN SBB  
PMMA SATIN**



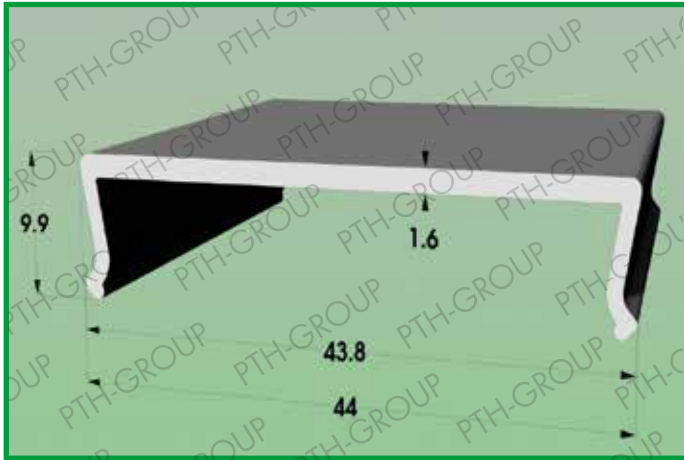
**Profile 1010.86**

**Material: POLYCARBONATE CLEAR / OPAL / SATIN SBB  
PMMA SATIN**



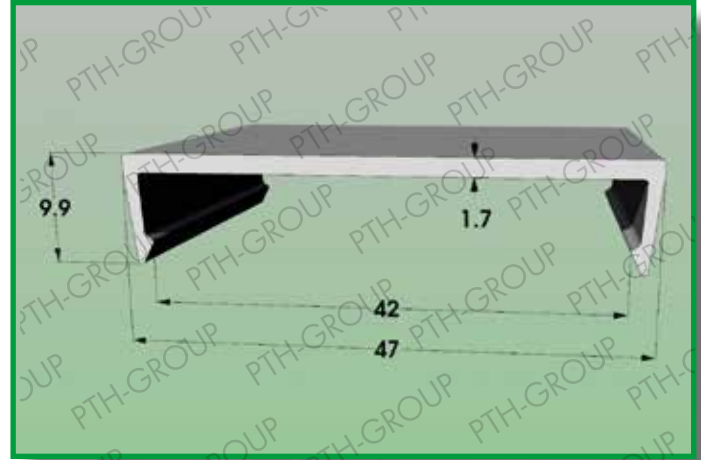
**Profile 1010.440**

**Material: POLYCARBONATE CLEAR / OPAL  
PMMA CLEAR / SATIN**



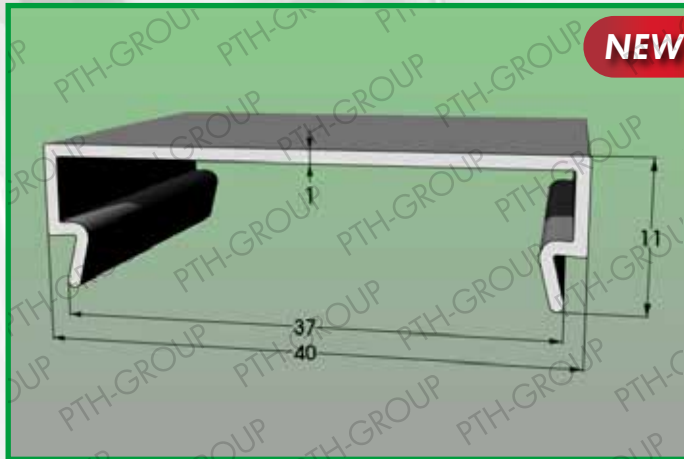
**Profile 1010.412**

**Material: POLYCARBONATE CLEAR / OPAL  
PMMA CLEAR / SATIN**



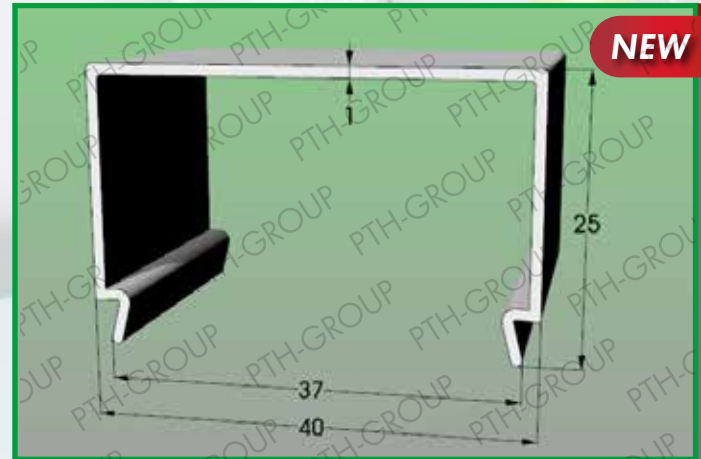
**Profile 1010.542**

**Material: POLYCARBONATE CLEAR / OPAL / SATIN SBB  
PMMA CLEAR / SATIN**



**Profile 1010.544**

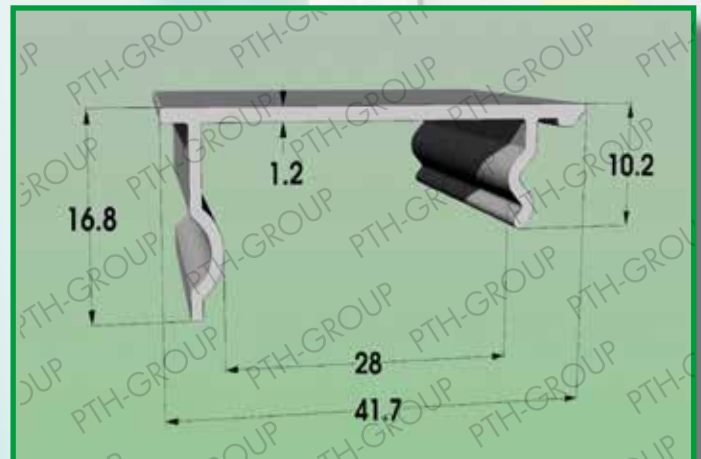
**Material: POLYCARBONATE CLEAR / OPAL / SATIN SBB  
PMMA CLEAR / SATIN**



**Profile 1010.179**  
**Material: PMMA SATIN**



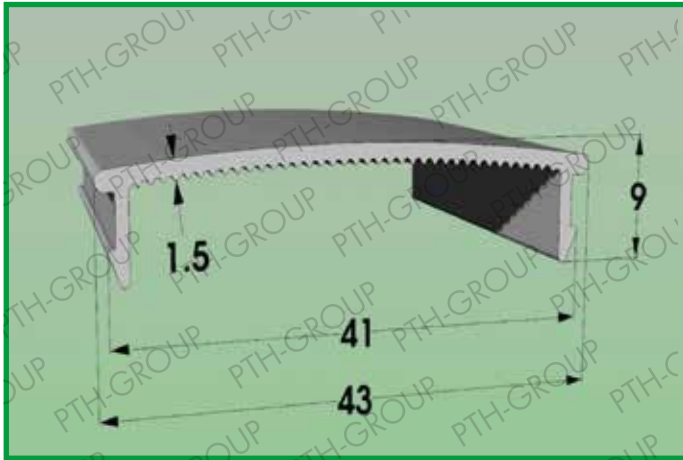
**Profile 1010.128**  
**Material: POLYCARBONATE CLEAR / OPAL**





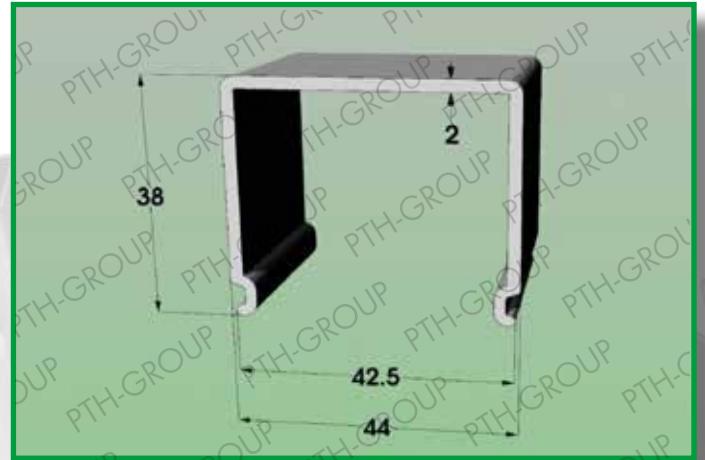
**Profile 1010.317**

**Material: POLYCARBONATE CLEAR / OPAL  
PMMA SATIN**



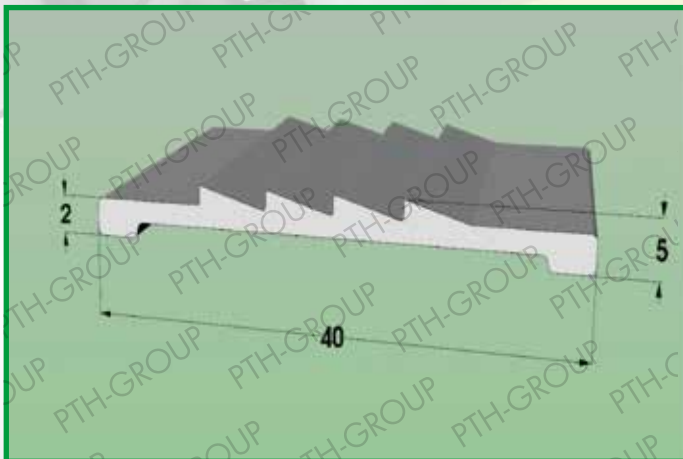
**Profile 1010.241**

**Material: PMMA CLEAR / SATIN**



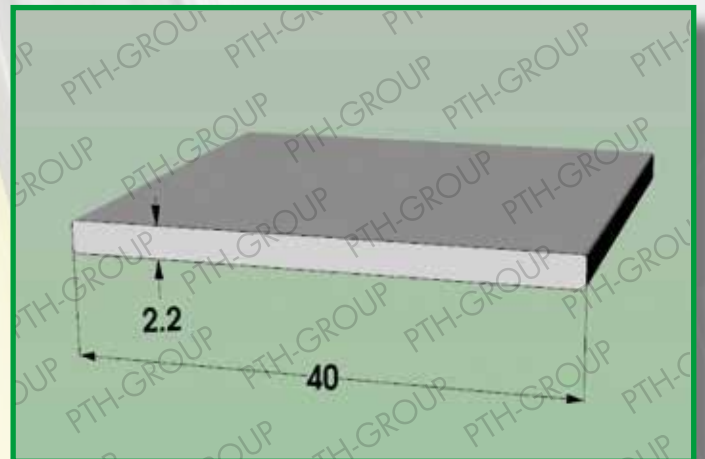
**Profile 1010.07**

**Material: POLYCARBONATE CLEAR / OPAL**



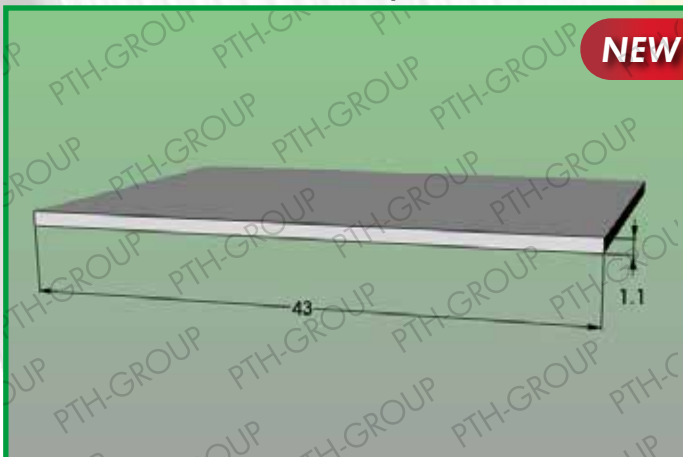
**Profile 1010.332**

**Material: PMMA CLEAR / SATIN**



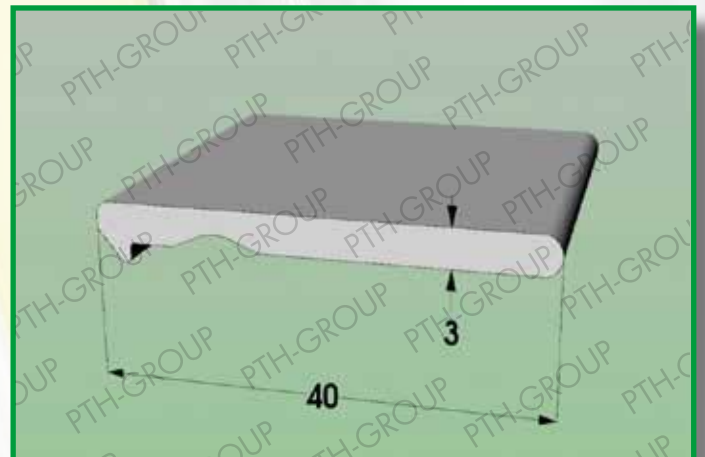
**Profile 1010.539**

**Material: POLYCARBONATE CLEAR / OPAL / SATIN SBB  
PMMA CLEAR / SATIN**



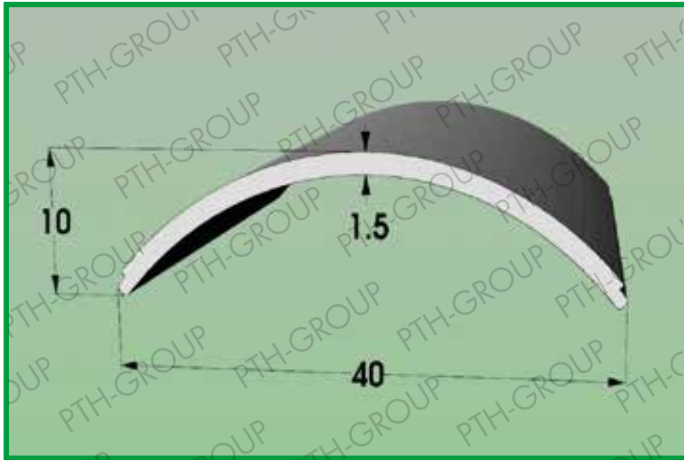
**Profile 1010.107**

**Material: POLYCARBONATE CLEAR / OPAL**



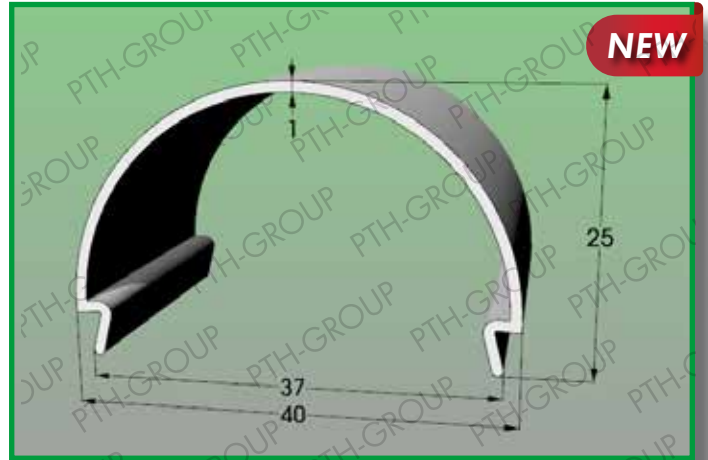
**Profile 1010.405**

**Material: POLYCARBONATE CLEAR / OPAL**



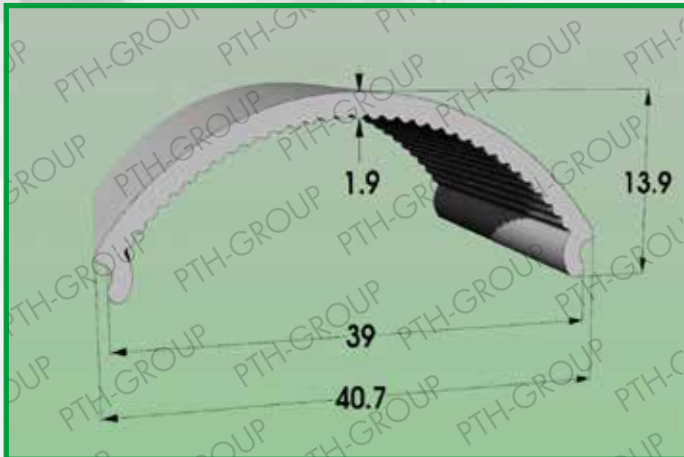
**Profile 1010.543**

**Material: POLYCARBONATE CLEAR / OPAL / SATIN SBB  
PMMA CLEAR / SATIN**



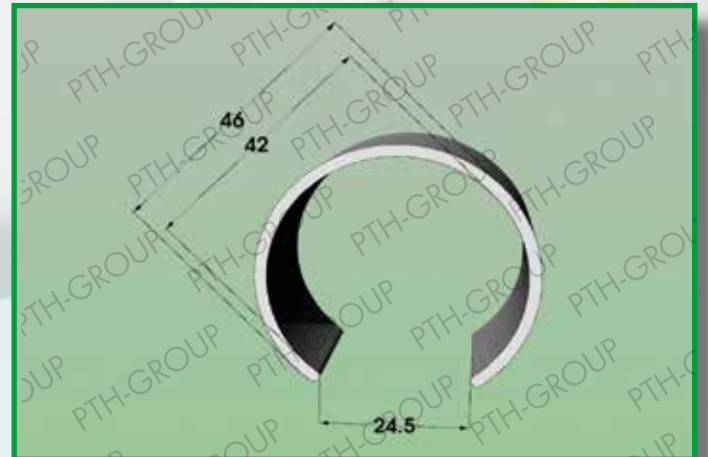
**Profile 1010.247**

**Material: POLYCARBONATE CLEAR / OPAL  
PMMA CLEAR / SATIN**



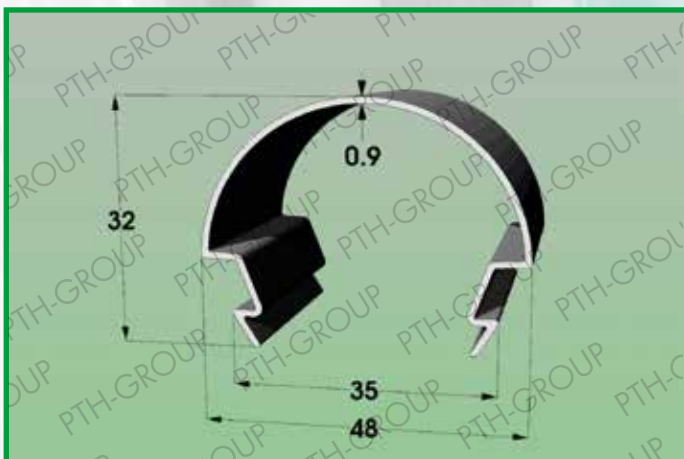
**Profile 1010.69**

**Material: POLYCARBONATE CLEAR / OPAL**



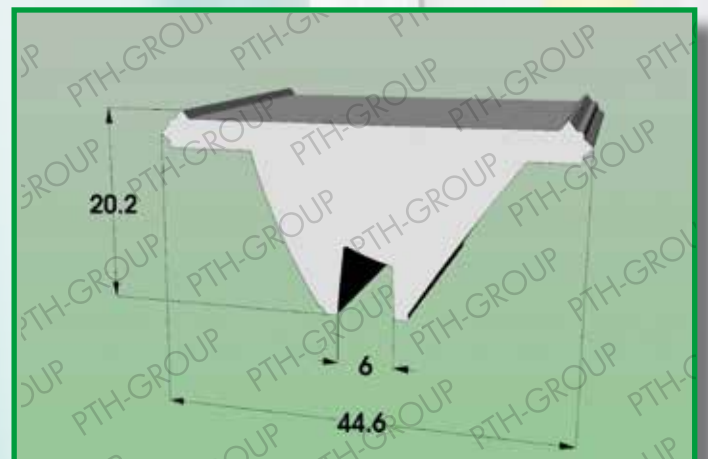
**Profile 1010.26**

**Material: POLYCARBONATE CLEAR / OPAL**

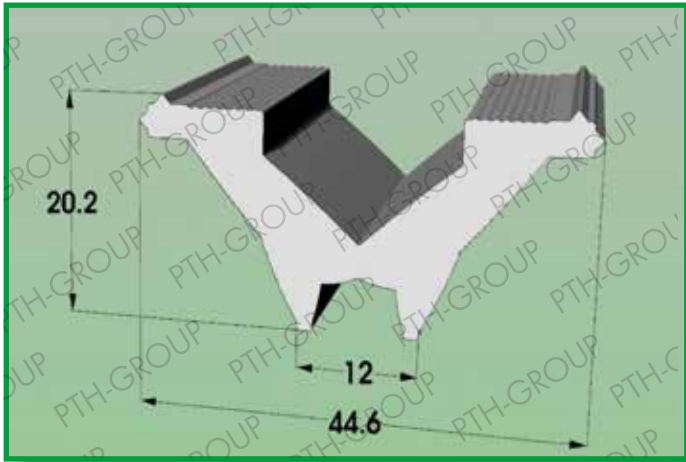


**Profile 1010.181**

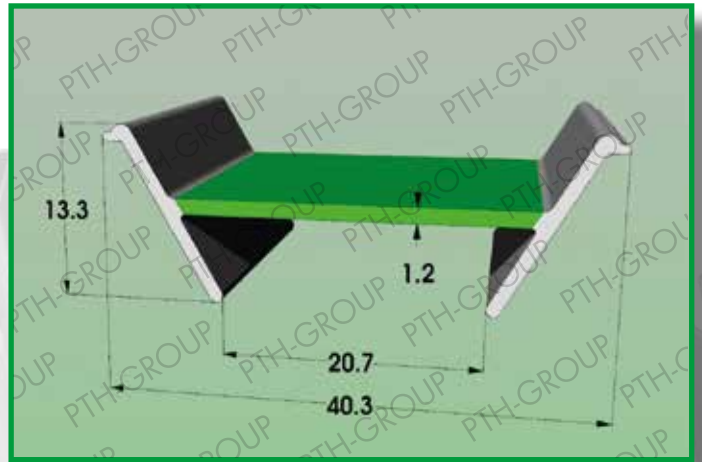
**Material: PMMA SATIN**



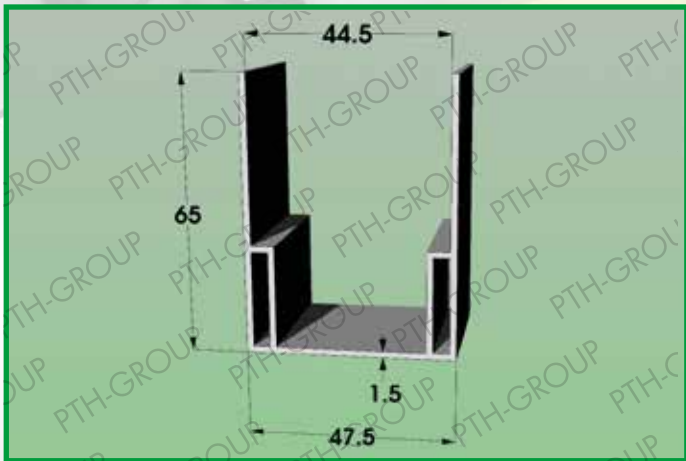
**Profile 1010.182**  
**Material: PMMA SATIN**



**Profile 1010.430**  
**Material: POLYCARBONATE CLEAR / OPAL**



**Profile 1010.134**  
**Material: POLYCARBONATE CLEAR / OPAL**

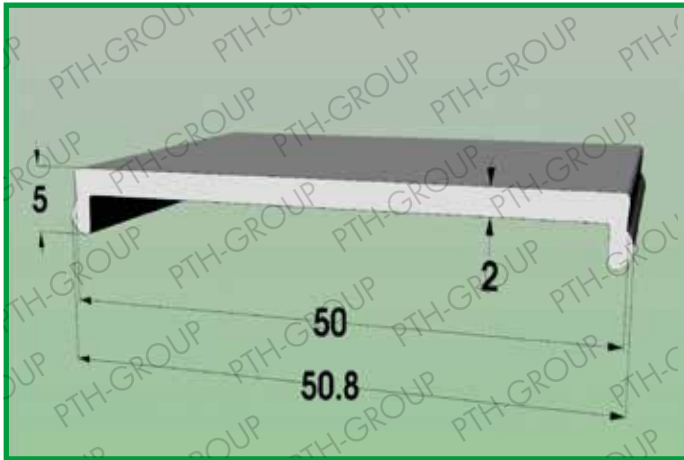






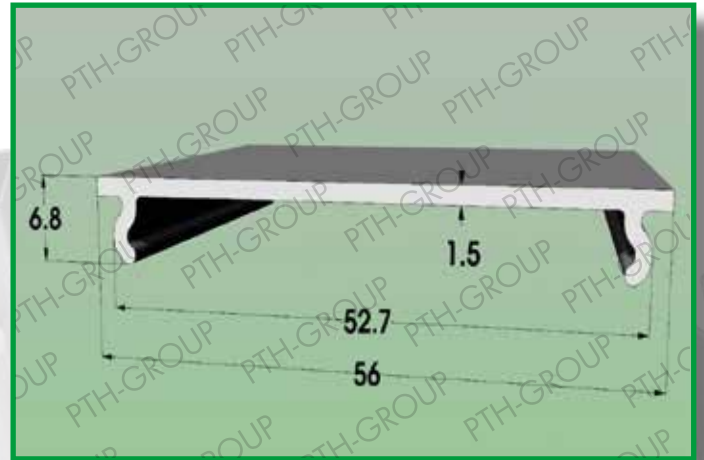
**Profile 1010.297**

**Material: POLYCARBONATE CLEAR / OPAL  
PMMA CLEAR / SATIN**



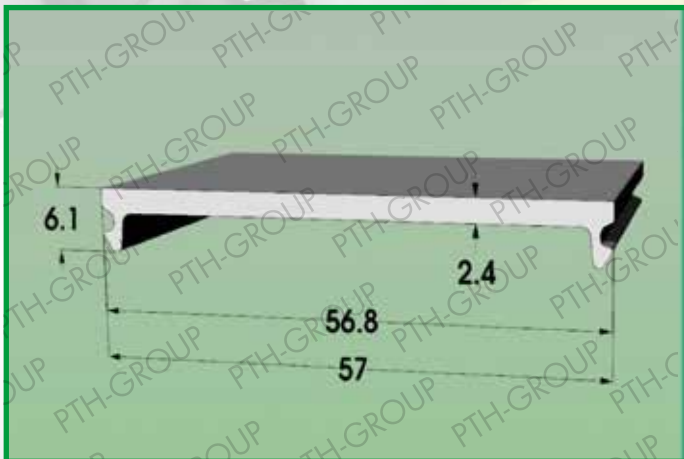
**Profile 1010.419**

**Material: POLYCARBONATE CLEAR / OPAL  
PMMA CLEAR / SATIN**



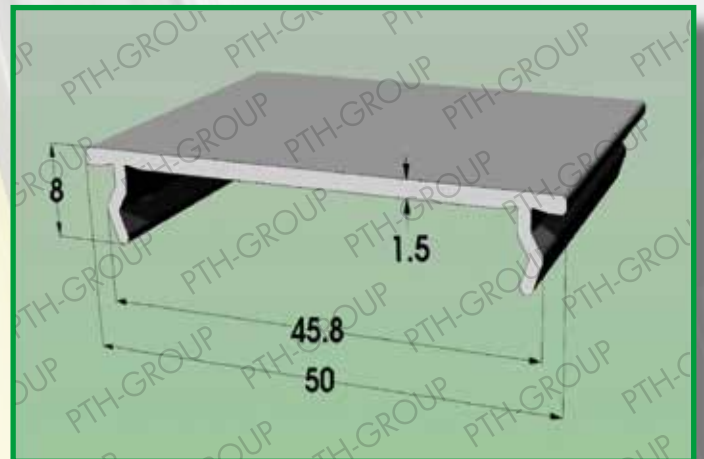
**Profile 1010.147**

**Material: POLYCARBONATE CLEAR / OPAL / SATIN SBB  
PMMA CLEAR / SATIN**



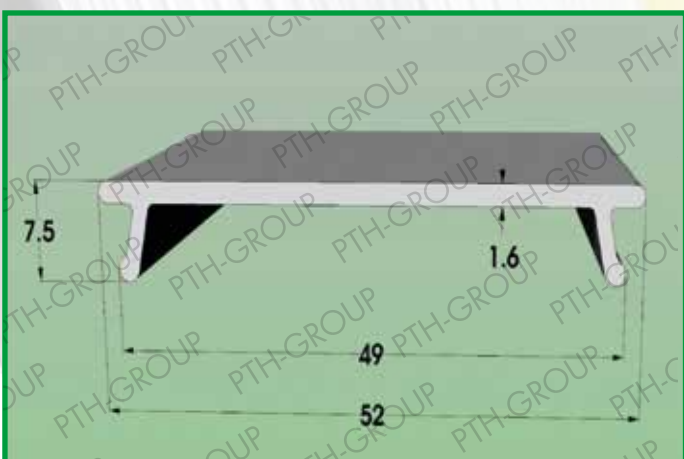
**Profile 1010.321**

**Material: POLYCARBONATE CLEAR / OPAL / SATIN SBB**



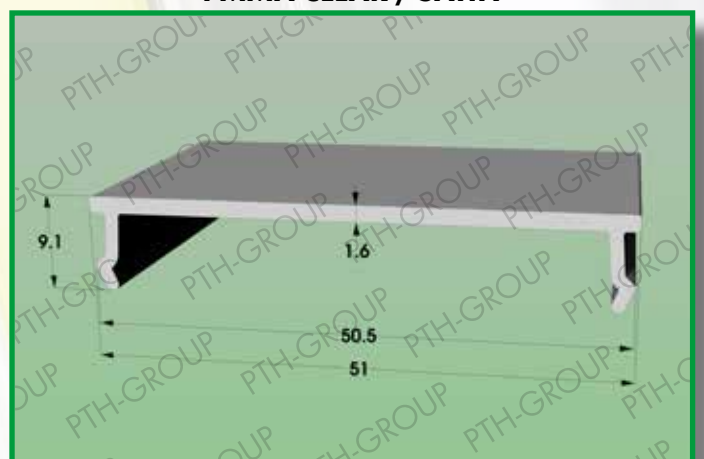
**Profile 1010.242**

**Material: POLYCARBONATE CLEAR / OPAL / SATIN SBB**



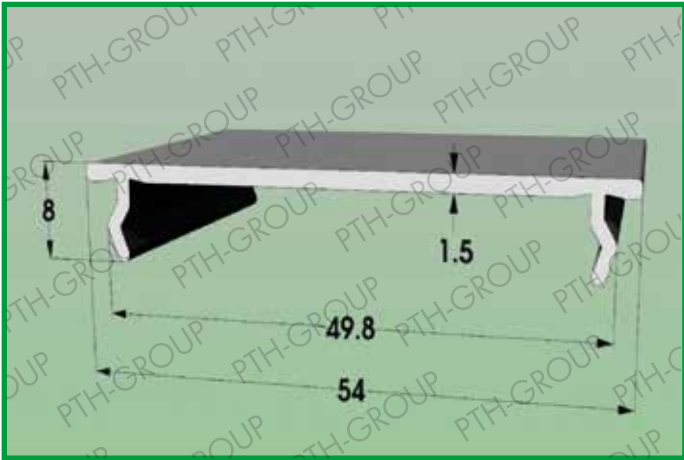
**Profile 1010.484**

**Material: POLYCARBONATE CLEAR / OPAL / SATIN SBB  
PMMA CLEAR / SATIN**



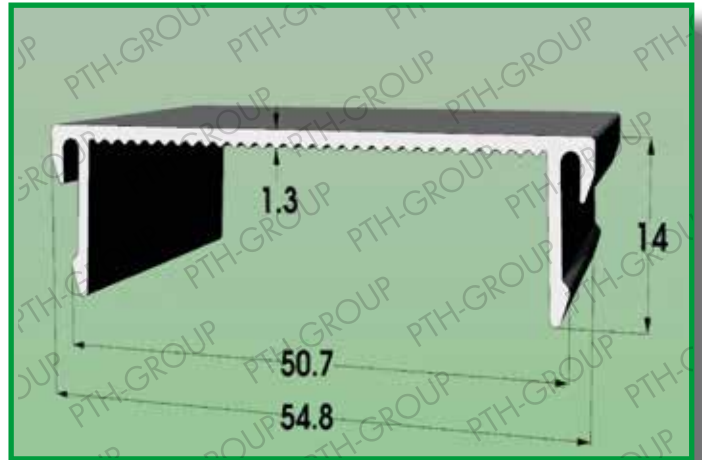
**Profile 1010.174**

**Material: POLYCARBONATE CLEAR / OPAL  
PMMA CLEAR / SATIN**



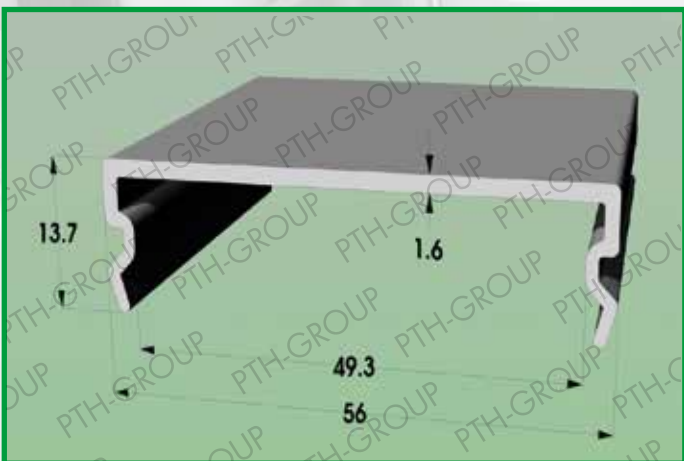
**Profile 1010.323**

**Material: PMMA CLEAR / SATIN**



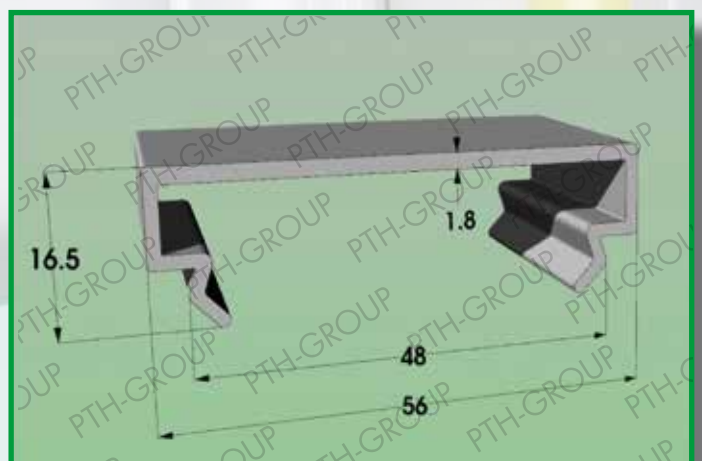
**Profile 1010.445**

**Material: POLYCARBONATE CLEAR / OPAL**



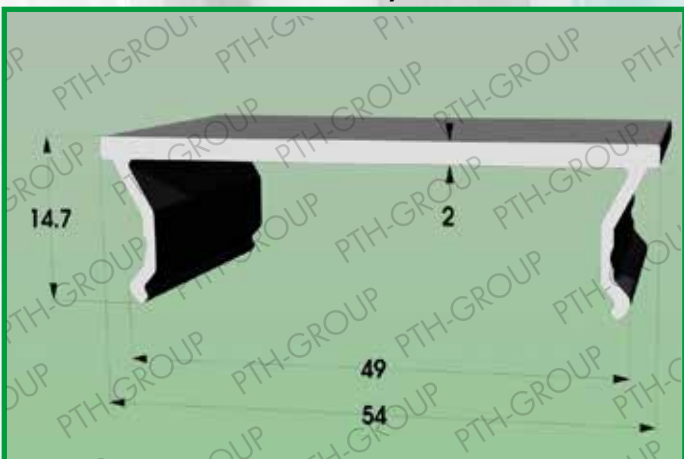
**Profile 1010.102**

**Material: POLYCARBONATE CLEAR / OPAL**



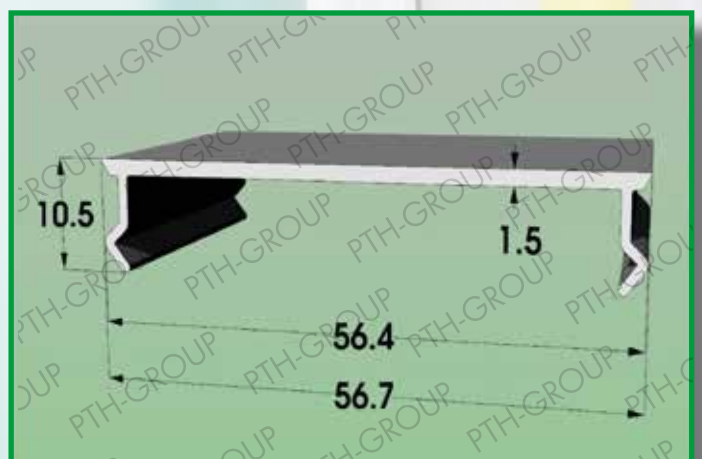
**Profile 1010.448**

**Material: POLYCARBONATE CLEAR / OPAL  
PMMA CLEAR / SATIN**



**Profile 1010.301**

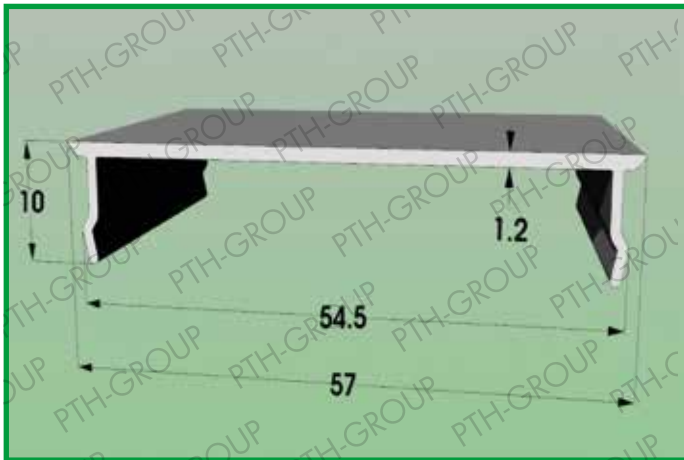
**Material: PMMA CLEAR / SATIN**





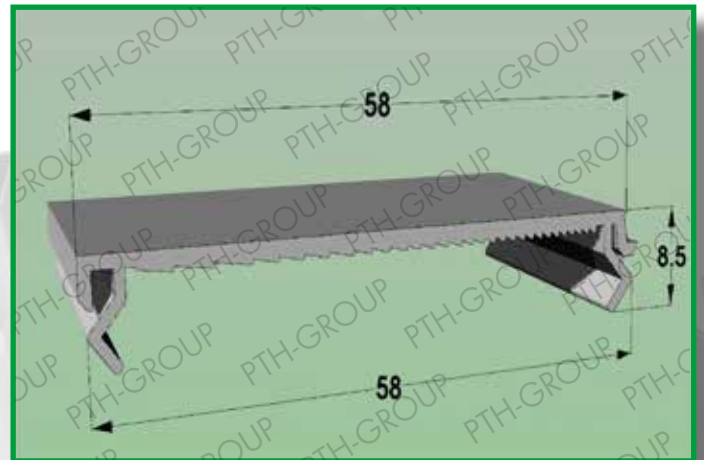
**Profile 1010.185**

**Material: POLYCARBONATE CLEAR / OPAL  
PMMA CLEAR / SATIN**



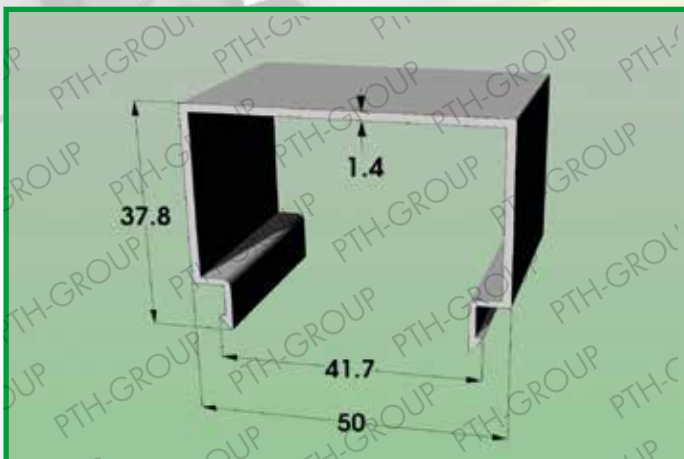
**Profile 1010.08**

**Material: POLYCARBONATE CLEAR / OPAL**



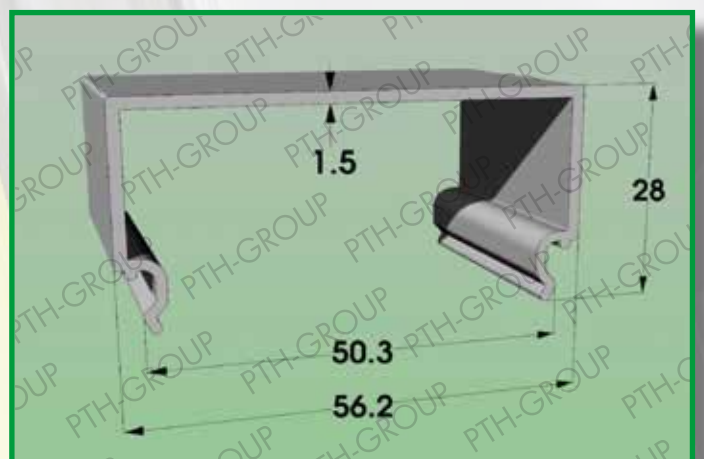
**Profile 1010.359**

**Material: POLYCARBONATE CLEAR / OPAL / SATIN SBB**

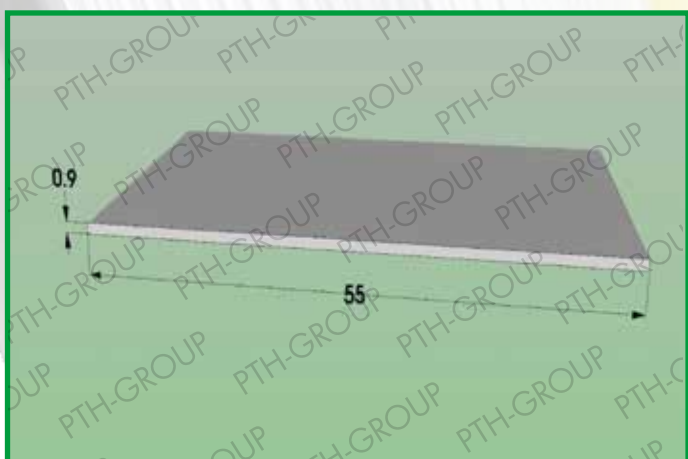


**Profile 1010.375**

**Material: PMMA CLEAR / SATIN**



**Profile 1010.66**  
**Material: PMMA SATIN**

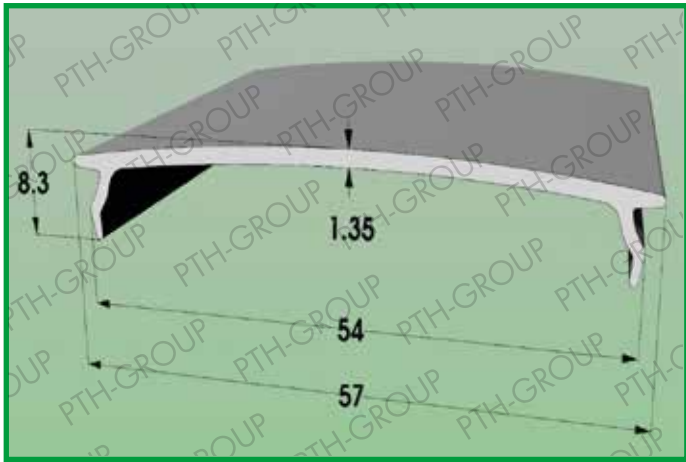


**Profile 1010.360**  
**Material: POLYCARBONATE CLEAR / OPAL  
PMMA CLEAR / SATIN**



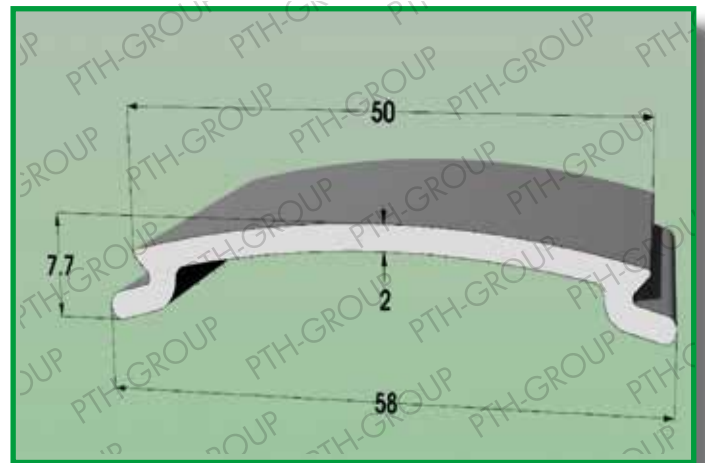
**Profile 1010.386**

**Material: POLYCARBONATE CLEAR / OPAL  
PMMA CLEAR / SATIN**



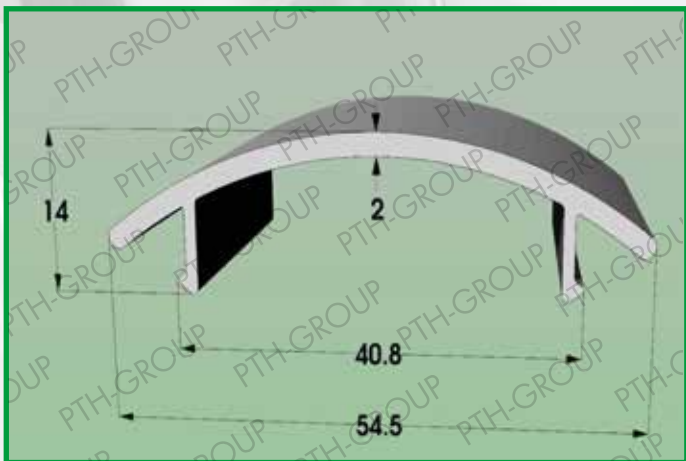
**Profile 1010.03**

**Material: POLYCARBONATE CLEAR / OPAL  
PMMA SATIN**



**Profile 1010.253**

**Material: PMMA CLEAR / SATIN**



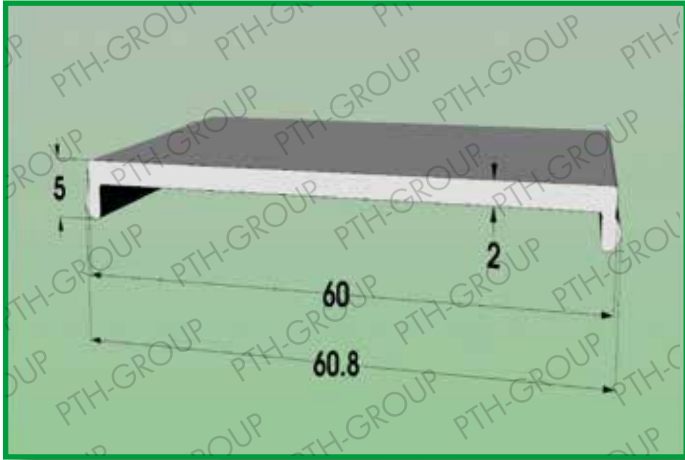
**Profile 1010.04**

**Material: POLYCARBONATE CLEAR / OPAL  
PMMA SATIN**



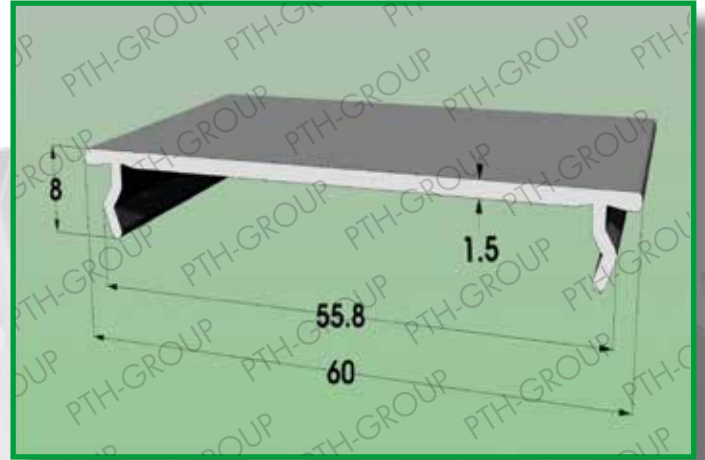
**Profile 1010.298**

**Material: POLYCARBONATE CLEAR / OPAL  
PMMA SATIN**



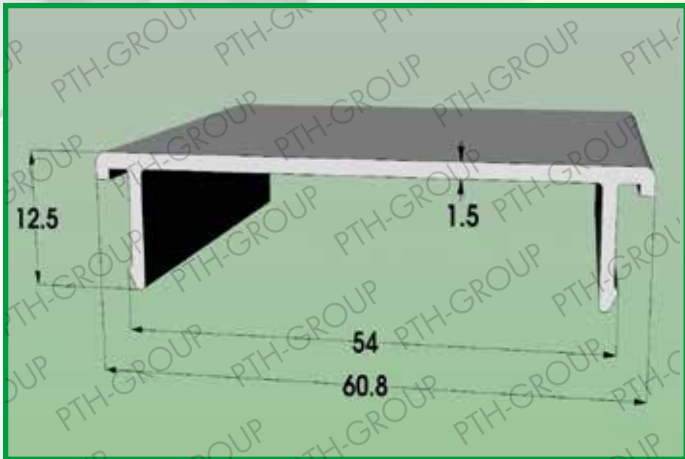
**Profile 1010.322**

**Material: POLYCARBONATE CLEAR / OPAL / SATIN SBB  
PMMA SATIN**



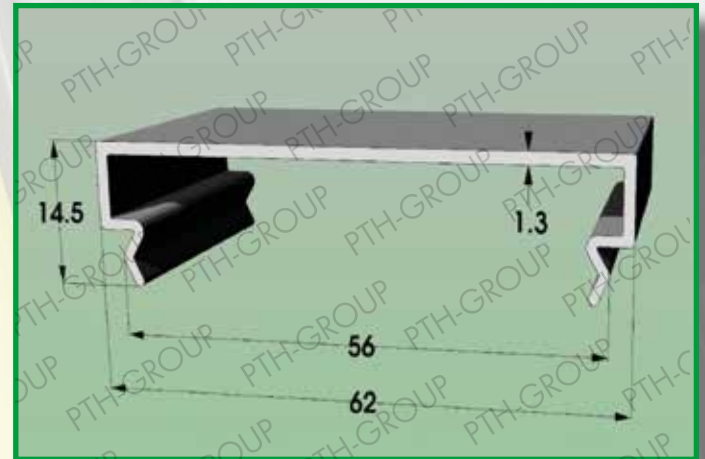
**Profile 1010.407**

**Material: POLYCARBONATE CLEAR / OPAL  
PMMA CLEAR / SATIN**



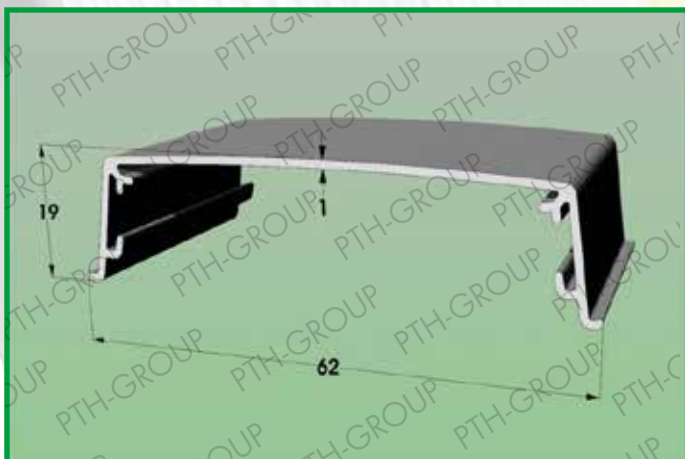
**Profile 1010.196**

**Material: POLYCARBONATE CLEAR / OPAL / SATIN SBB  
PMMA CLEAR / SATIN**



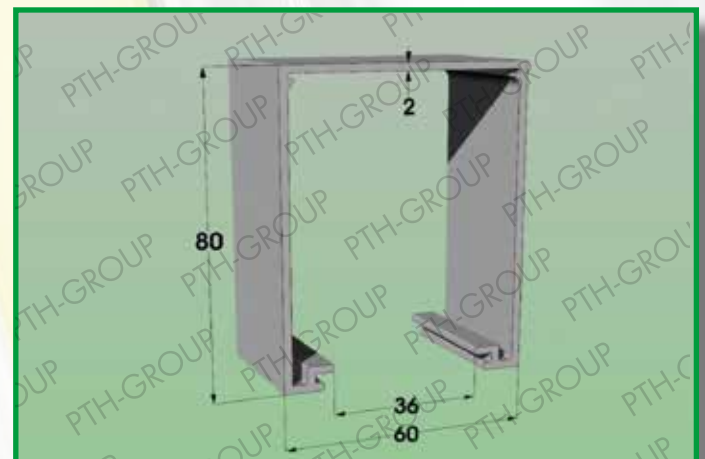
**Profile 1010.30**

**Material: POLYCARBONATE CLEAR / OPAL**



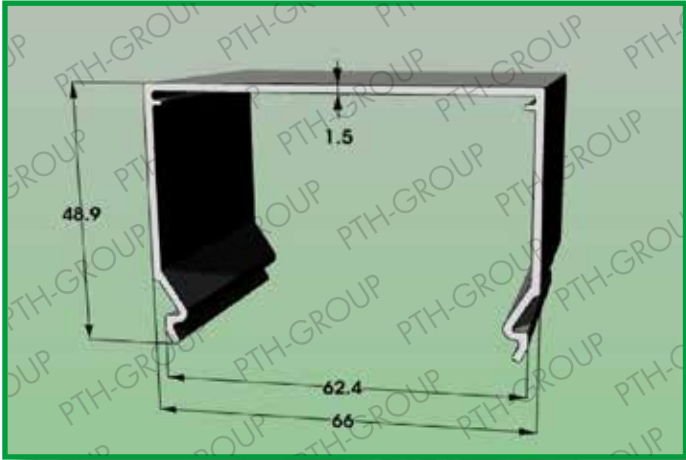
**Profile 1010.87**

**Material: PMMA SATIN**

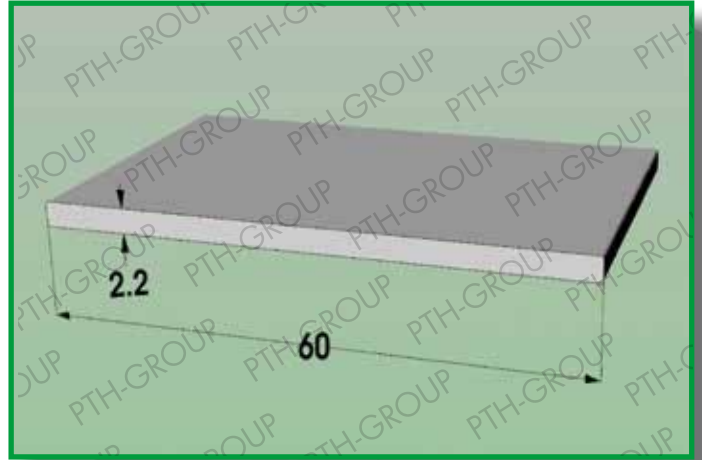




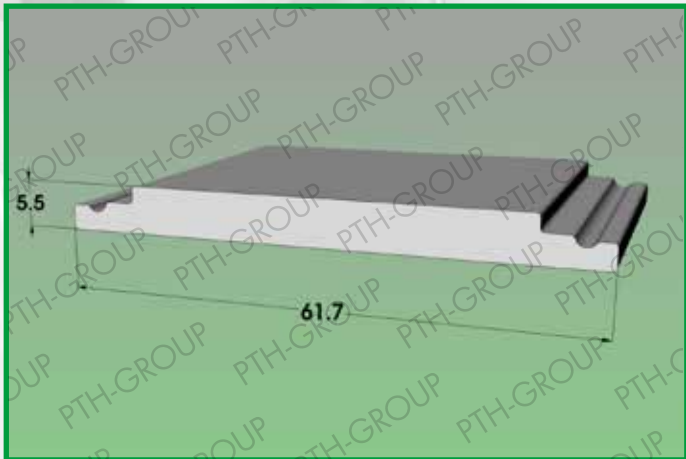
**Profile 1010.486**  
**Material: PMMA SATIN**



**Profile 1010.331**  
**Material: POLYCARBONATE CLEAR / OPAL**



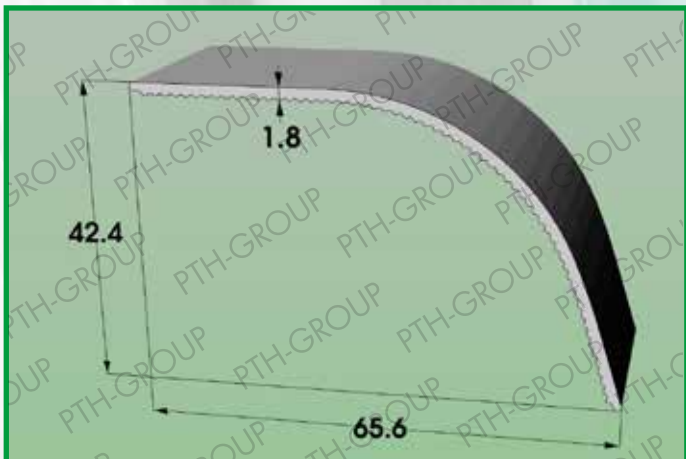
**Profile 1010.514**  
**Material: PMMA SATIN**



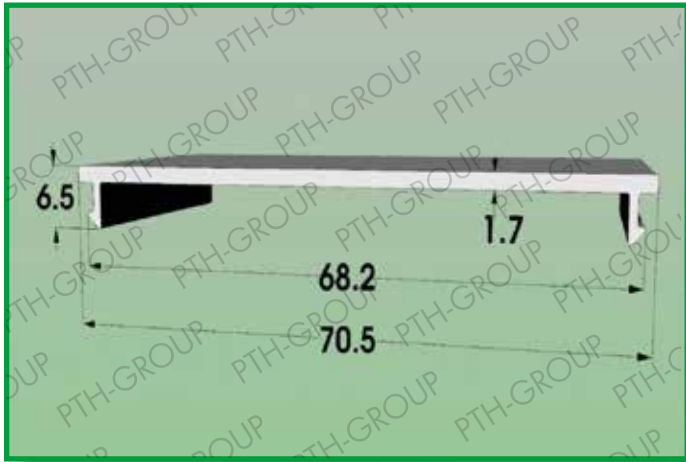
**Profile 1010.68**  
**Material: POLYCARBONATE CLEAR / OPAL**



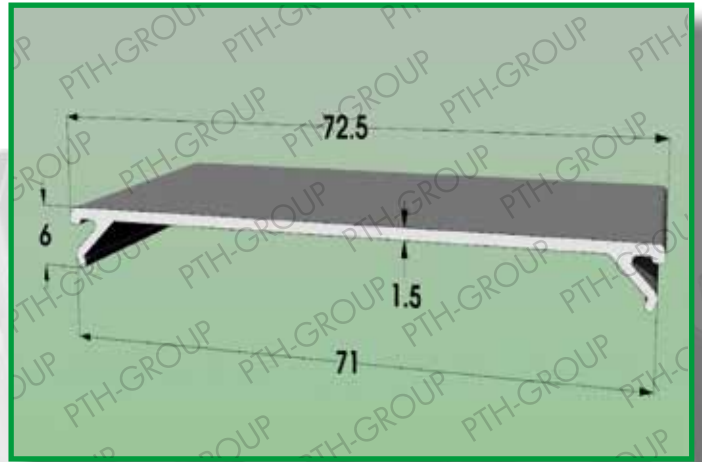
**Profile 1010.460**  
**Material: POLYCARBONATE CLEAR / OPAL**  
**PMMA SATIN**



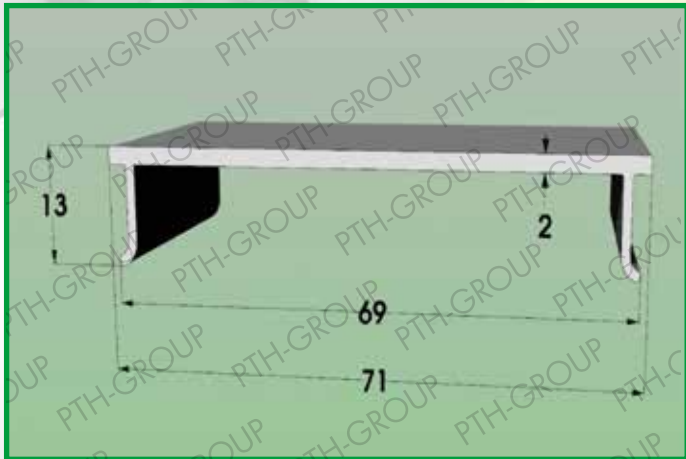
**Profile 1010.277**  
**Material: PMMA CLEAR / SATIN**



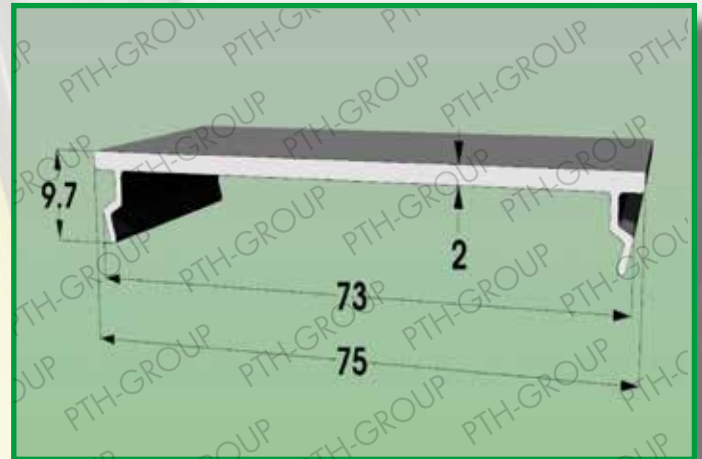
**Profile 1010.27**  
**Material: POLYCARBONATE CLEAR / OPAL / SATIN SBB**



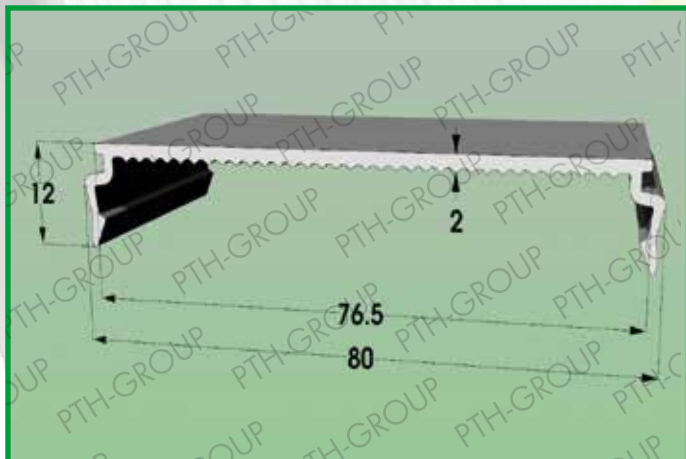
**Profile 1010.243**  
**Material: POLYCARBONATE CLEAR / OPAL / SATIN SBB**



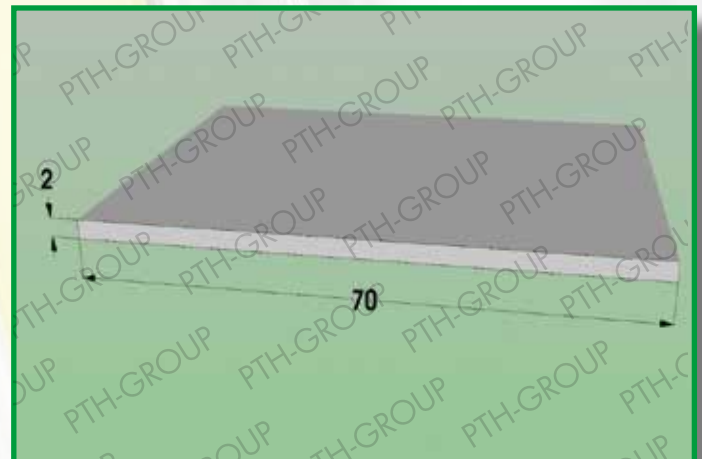
**Profile 1010.361**  
**Material: POLYCARBONATE CLEAR / OPAL / SATIN SBB**



**Profile 1010.210**  
**Material: POLYCARBONATE CLEAR / OPAL**

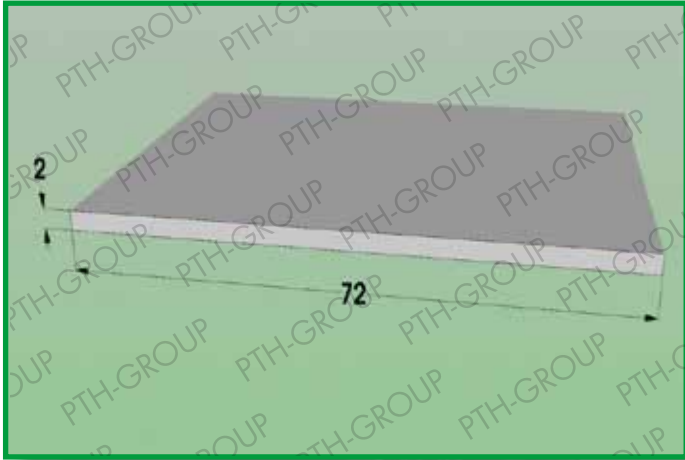


**Profile 1010.383**  
**Material: POLYCARBONATE CLEAR / OPAL**



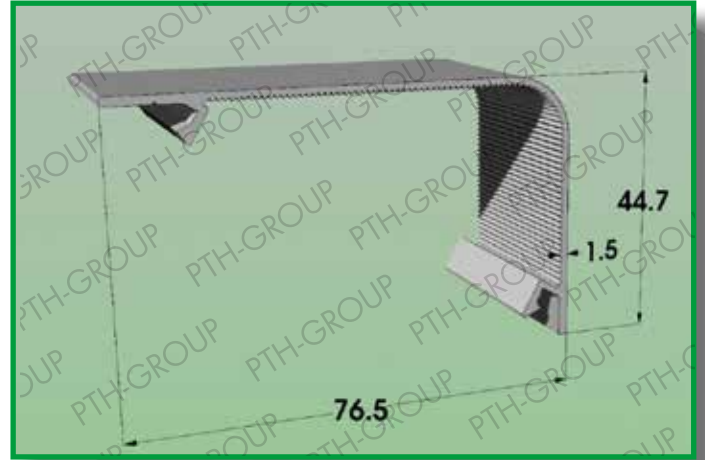
**Profile 1010.384**

**Material: POLYCARBONATE CLEAR / OPAL**



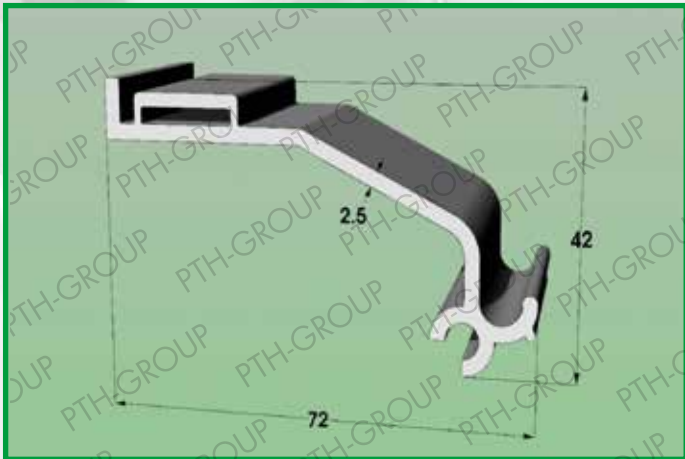
**Profile 1010.160**

**Material : POLYCARBONATE CLEAR / OPAL**



**Profile 1010.129**

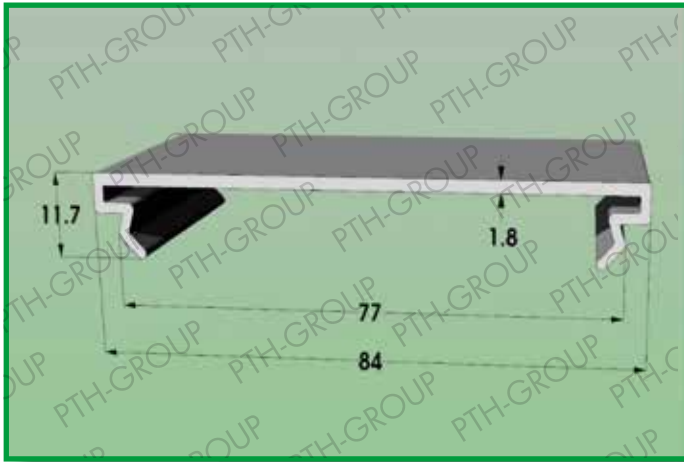
**Material: POLYCARBONATE CLEAR / OPAL**





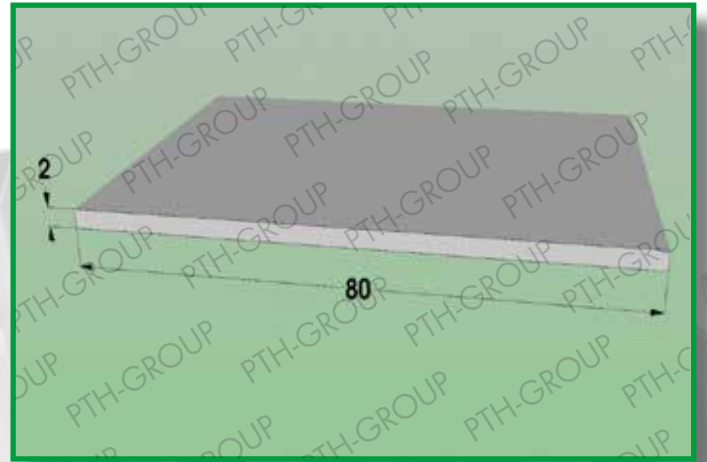
**Profile 1010.103**

**Material: POLYCARBONATE CLEAR / OPAL**



**Profile 1010.385**

**Material: POLYCARBONATE CLEAR / OPAL**



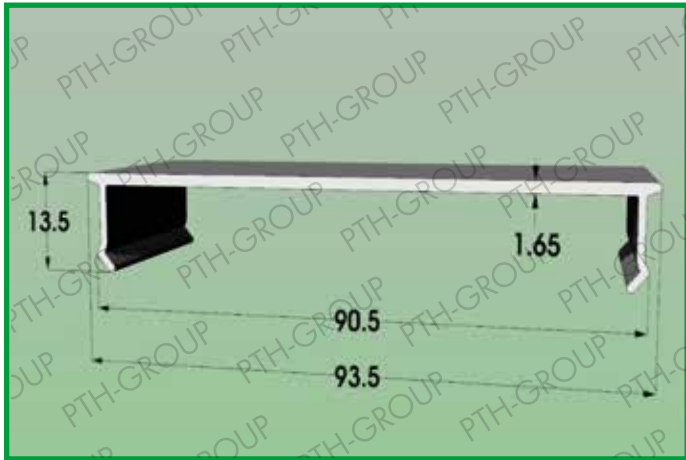
**Profile 1010.31**

**Material: PMMA SATIN**



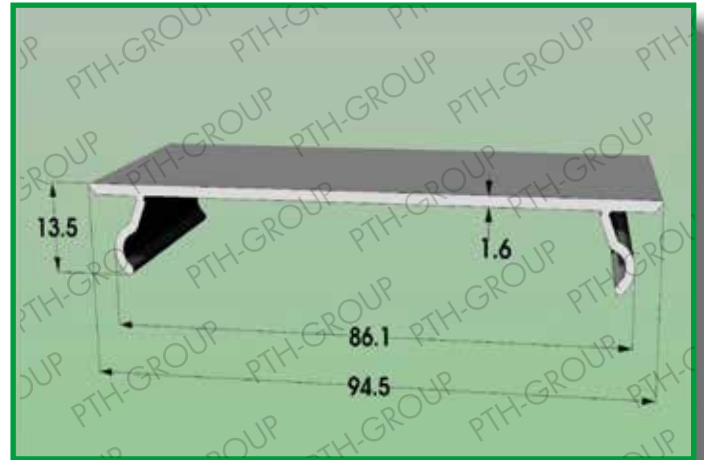
## Profile 1010.240

**Material: POLYCARBONATE CLEAR / OPAL / SATIN SBB  
PMMA CLEAR / SATIN**



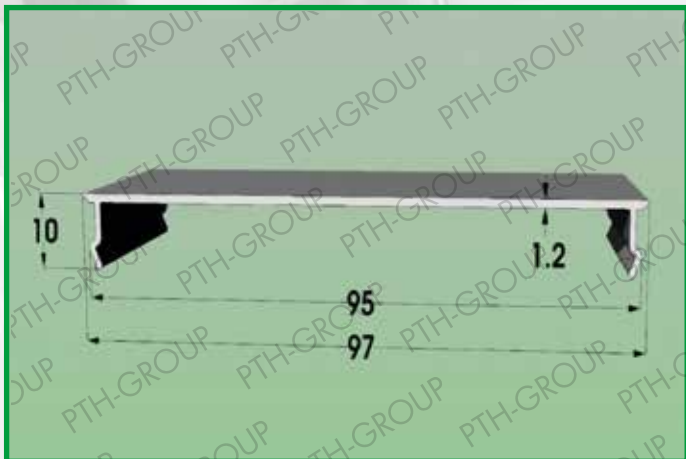
## Profile 1010.61

**Material: POLYCARBONATE CLEAR / OPAL / SATIN SBB  
PMMA SATIN**



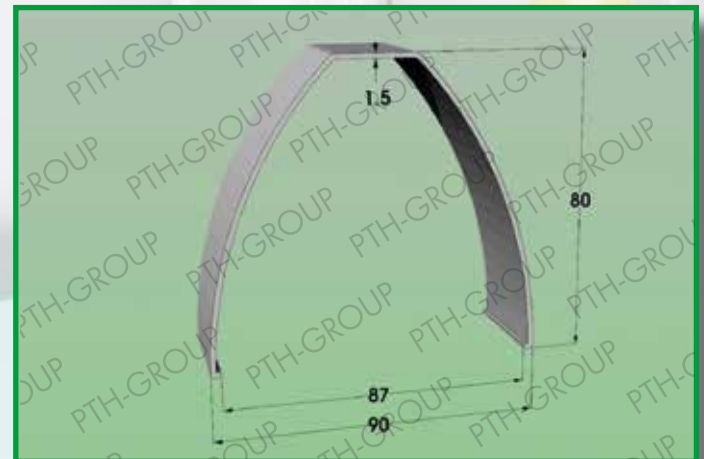
## Profile 1010.212

**Material: POLYCARBONATE CLEAR / OPAL / SATIN SBB  
PMMA CLEAR / SATIN**



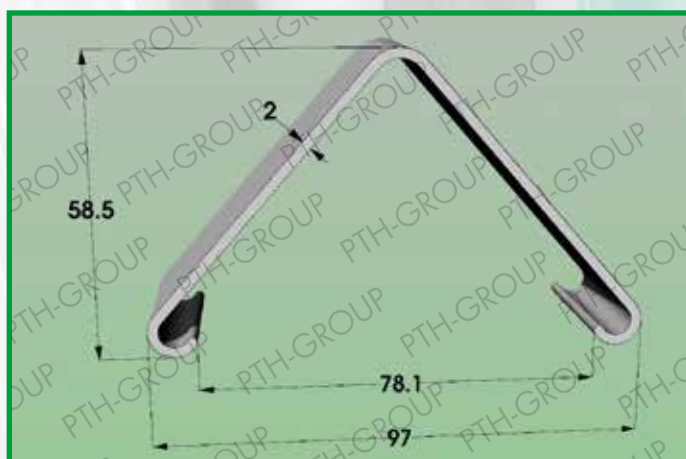
## Profile 1010.15

**Material: POLYCARBONATE CLEAR / OPAL**



## Profile 1010.71

**Material: POLYCARBONATE CLEAR / OPAL**



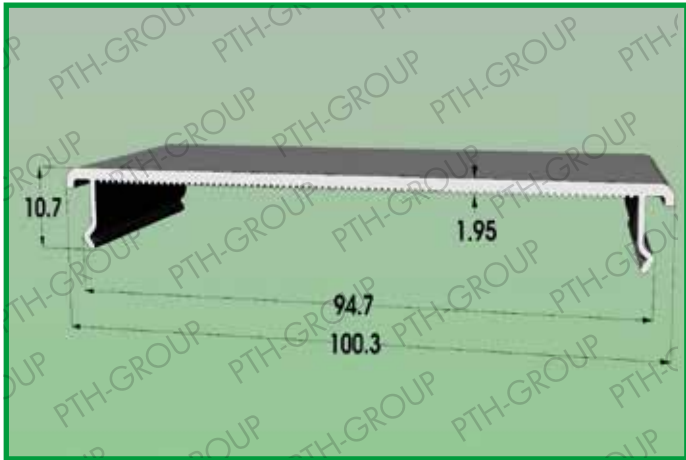






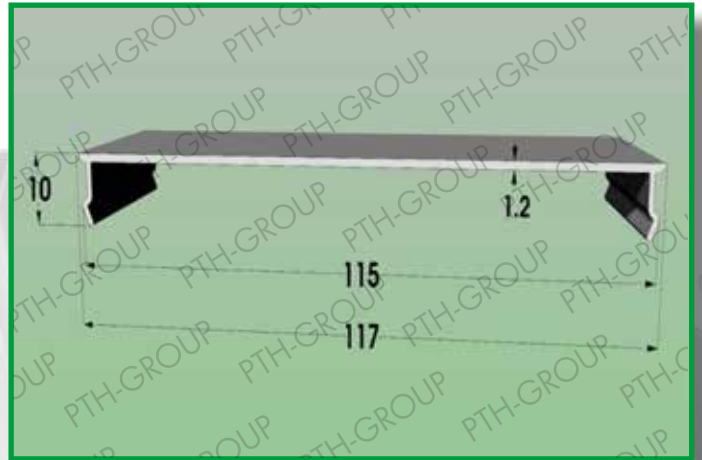
**Profile 1010.431**

**Material: POLYCARBONATE CLEAR / OPAL  
PMMA CLEAR / SATIN**



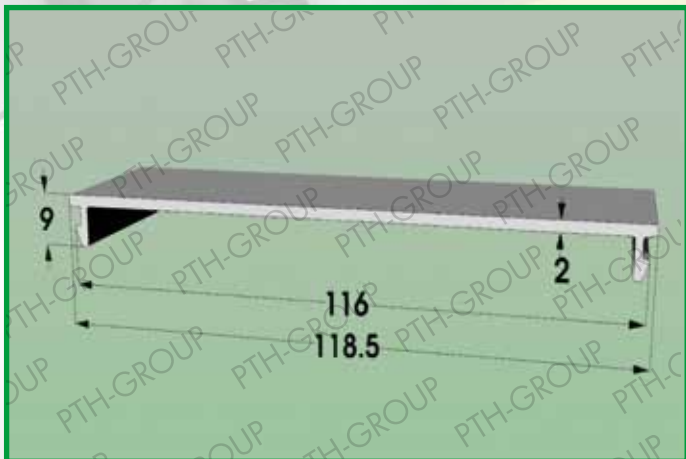
**Profile 1010.238**

**Material: PMMA CLEAR / SATIN**



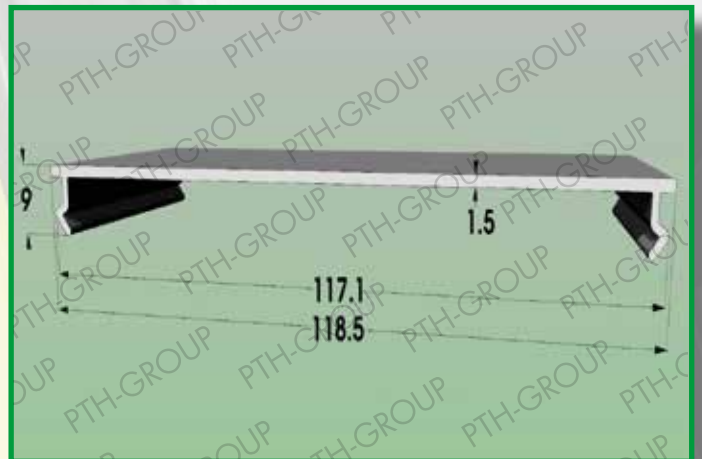
**Profile 1010.39**

**Material: PMMA CLEAR / SATIN**



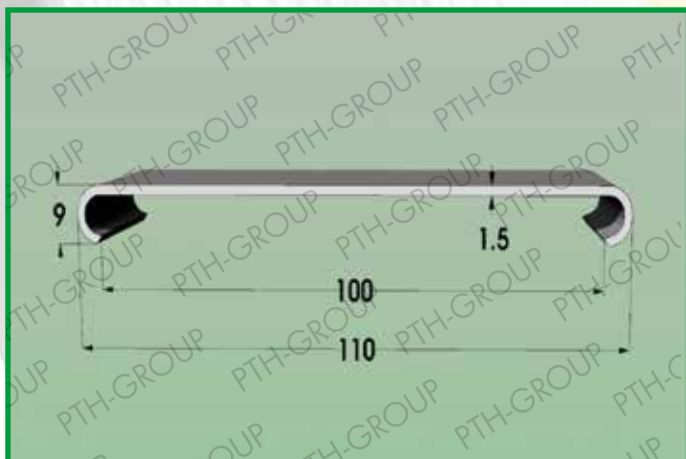
**Profile 1010.417**

**Material: POLYCARBONATE CLEAR / OPAL  
PMMA CLEAR / SATIN**



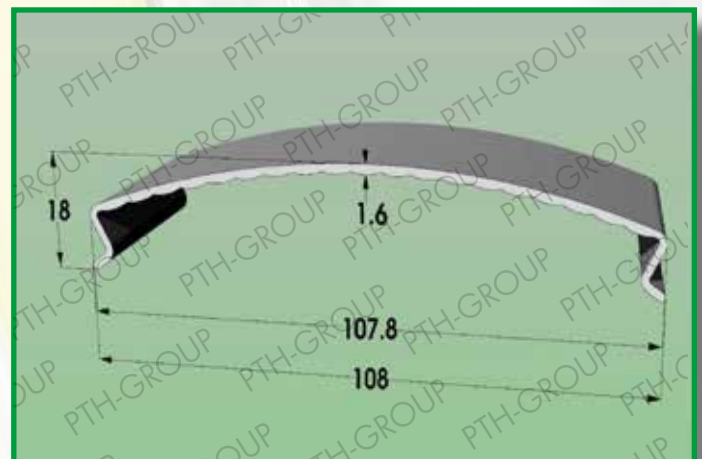
**Profile 1010.292**

**Material: POLYCARBONATE CLEAR / OPAL**



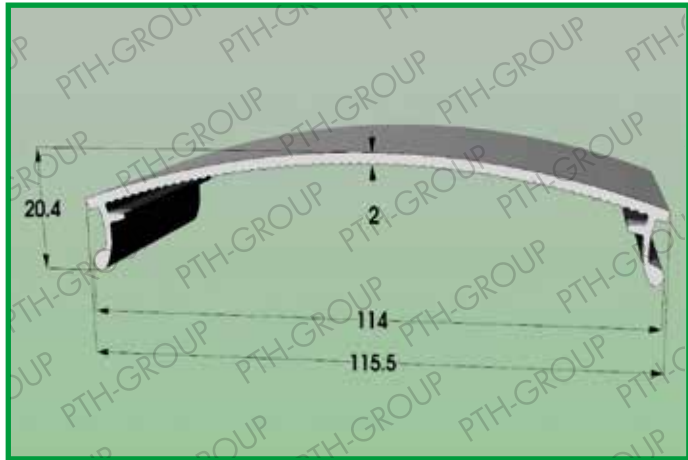
**Profile 1010.49**

**Material: POLYCARBONATE CLEAR / OPAL**



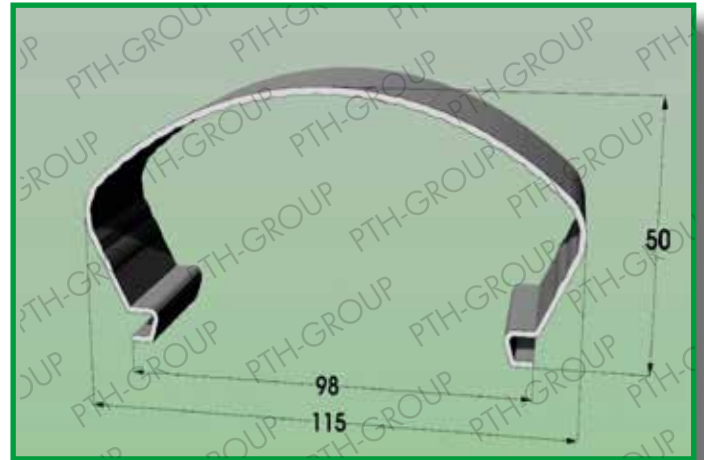
## Profile 1010.396

Material: POLYCARBONATE CLEAR / OPAL  
PMMA CLEAR / SATIN



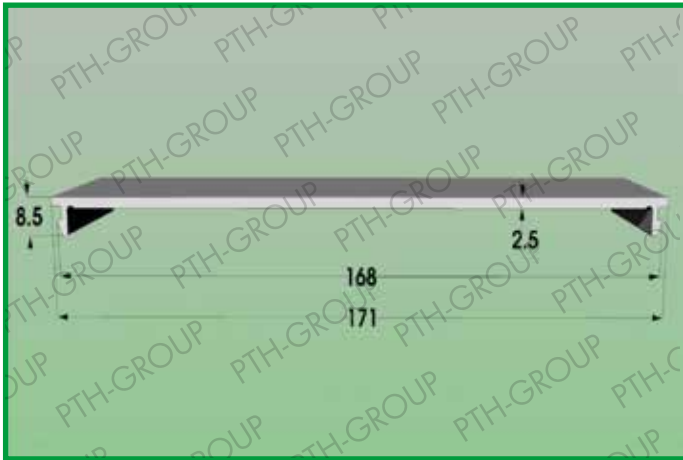
## Profile 1010.10

Material: POLYCARBONATE CLEAR / OPAL

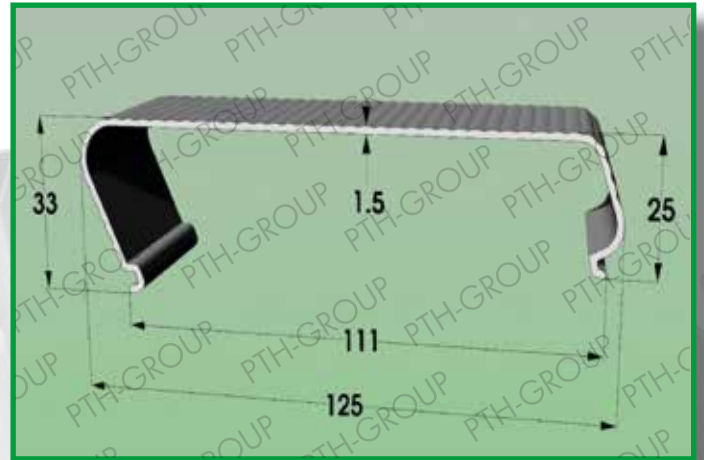




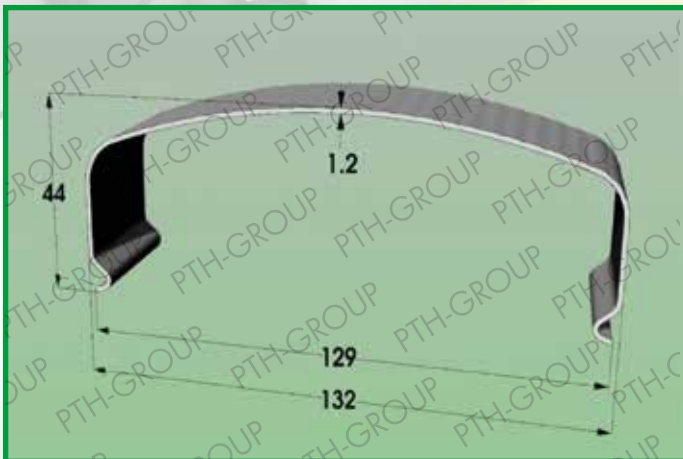
**Profile 1010.38**  
**Material: PMMA SATIN**



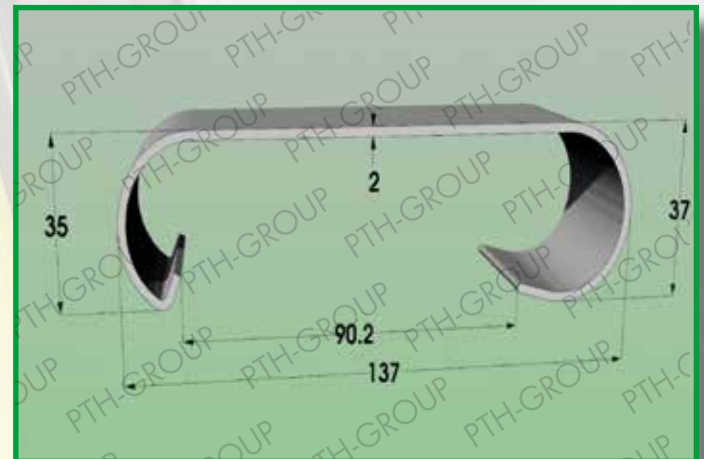
**Profile 1010.36**  
**Material: POLYCARBONATE CLEAR / OPAL**



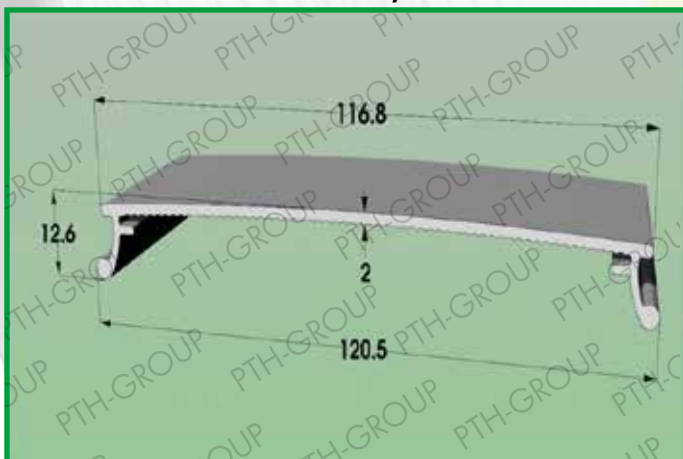
**Profile 1010.308**  
**Material: POLYCARBONATE CLEAR / OPAL**



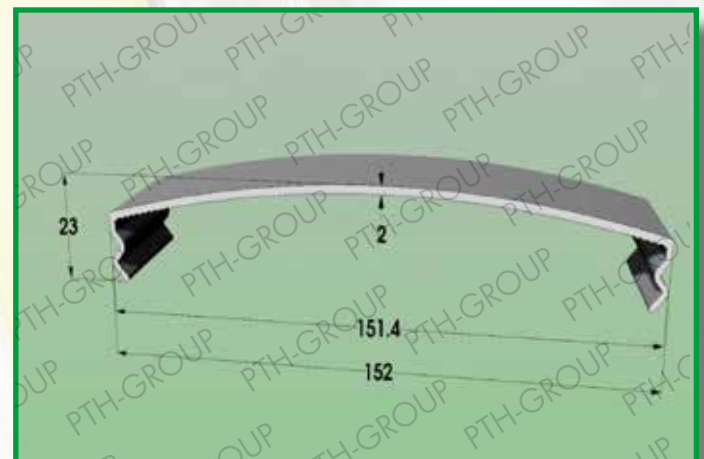
**Profile 1010.109**  
**Material: POLYCARBONATE CLEAR / OPAL**



**Profile 1010.77**  
**Material: POLYCARBONATE CLEAR / OPAL**  
**PMMA CLEAR / SATIN**

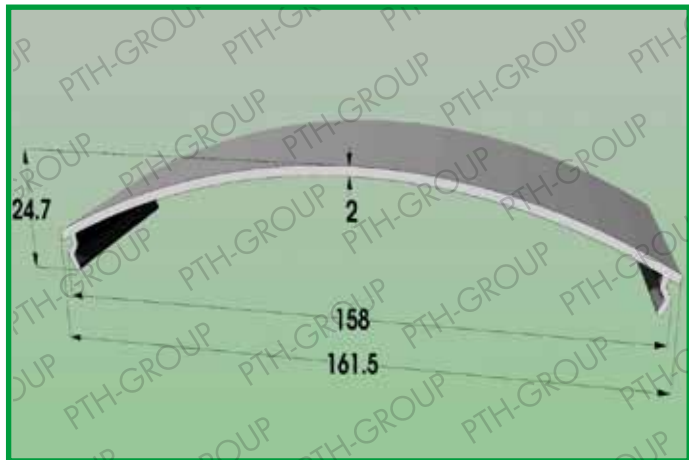


**Profile 1010.78**  
**Material: POLYCARBONATE CLEAR / OPAL**



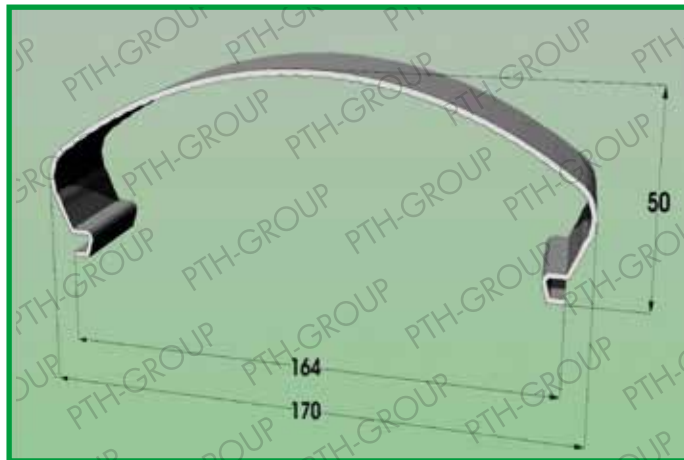
## Profile 1010.387

**Material: POLYCARBONATE CLEAR / OPAL  
PMMA CLEAR / SATIN**



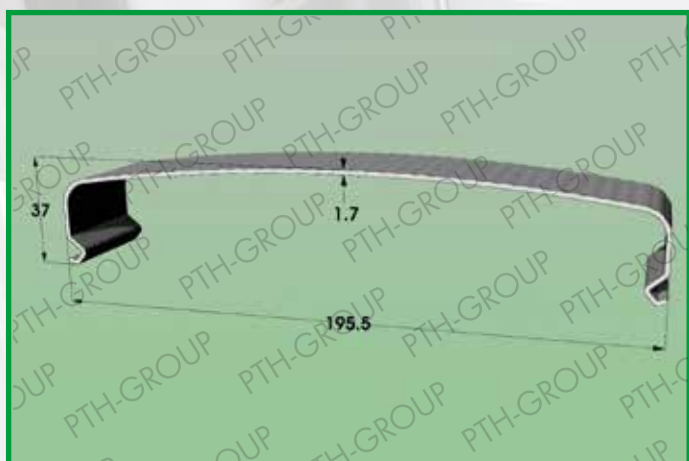
## Profile 1010.09

**Material: POLYCARBONATE CLEAR / OPAL**



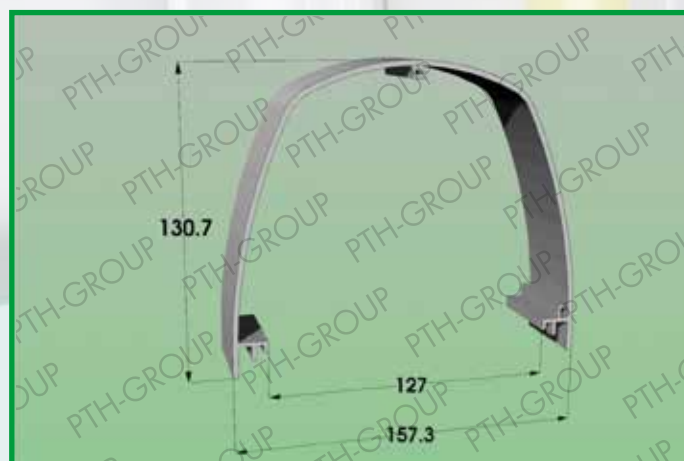
## Profile 1010.309

**Material: POLYCARBONATE CLEAR / OPAL**



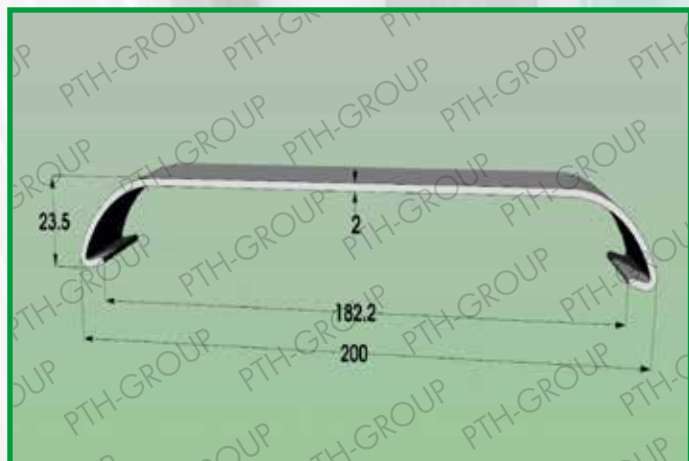
## Profile 1010.74

**Material: POLYCARBONATE CLEAR / OPAL**



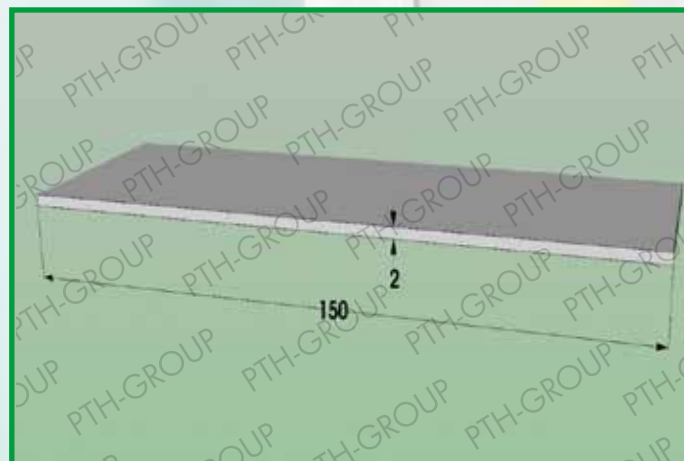
## Profile 1010.70

**Material: POLYCARBONATE CLEAR / OPAL**



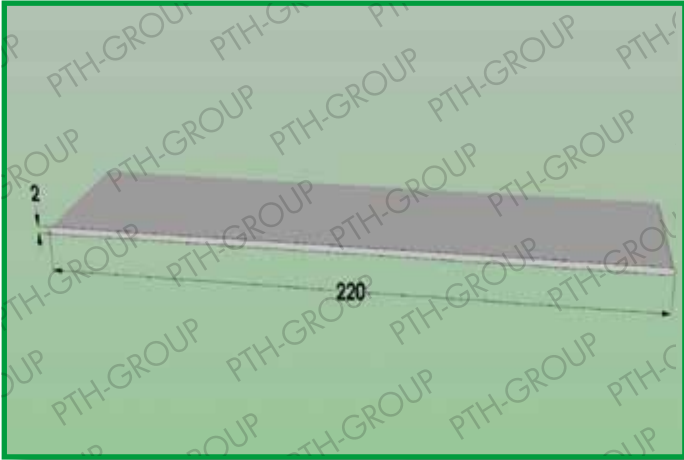
## Profile 1010.395

**Material: POLYCARBONATE CLEAR / OPAL**



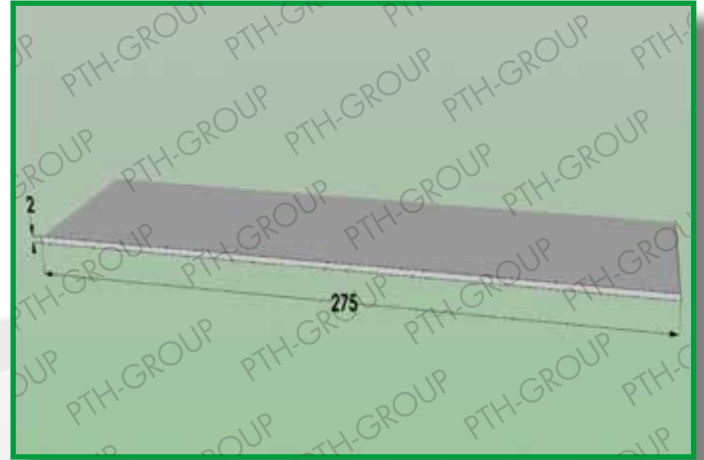
## Profile 1010.73

Material: POLYCARBONATE CLEAR / OPAL



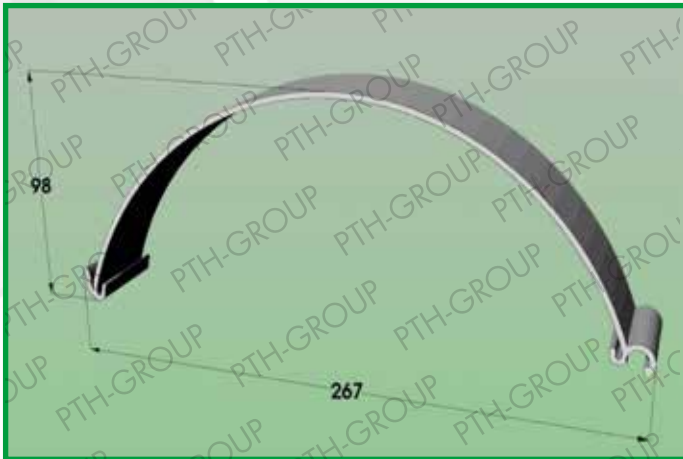
## Profile 1010.72

Material: POLYCARBONATE CLEAR / OPAL



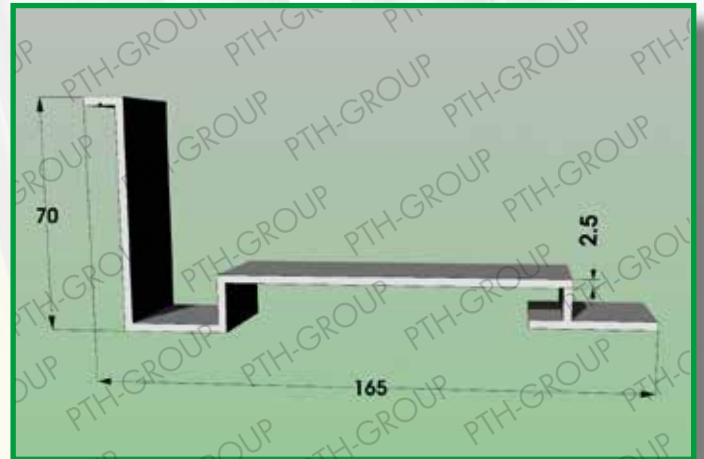
## Profile 1010.75

Material: POLYCARBONATE CLEAR / OPAL



## Profile 1010.28

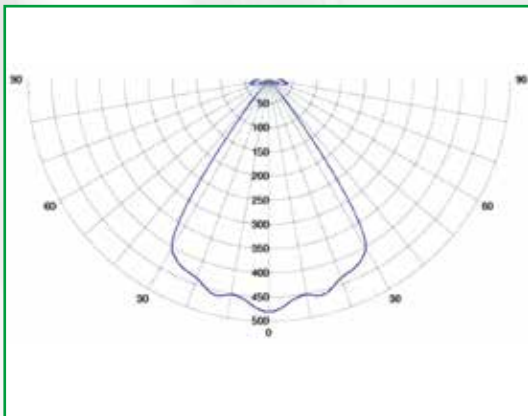
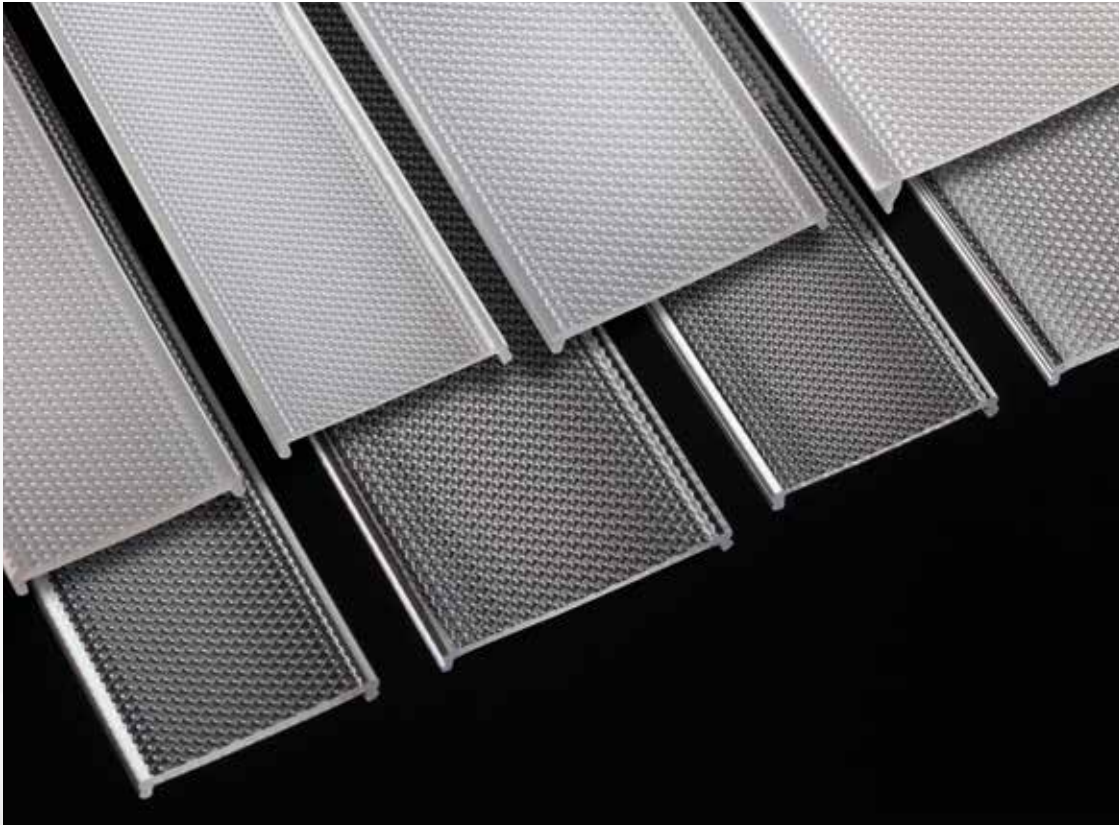
Material: POLYCARBONATE CLEAR / OPAL





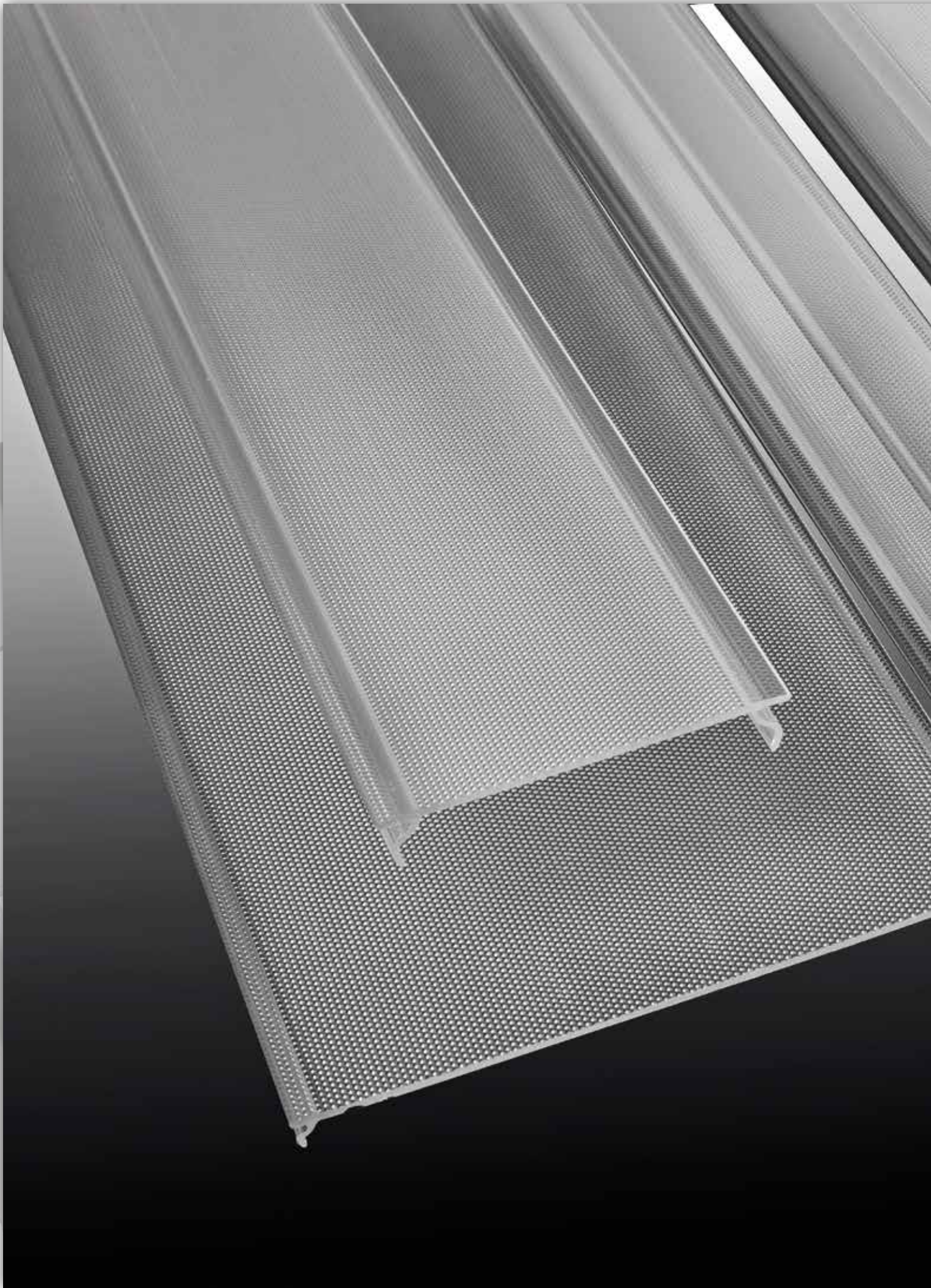
# MICRO PRISMATIC STRUCTURE PROFILES

PTH is specialized in the extrusion of lighting profiles in new Micro Prism Structure. Micro prismatic profiles and diffusers are available in Polycarbonate and PMMA material.

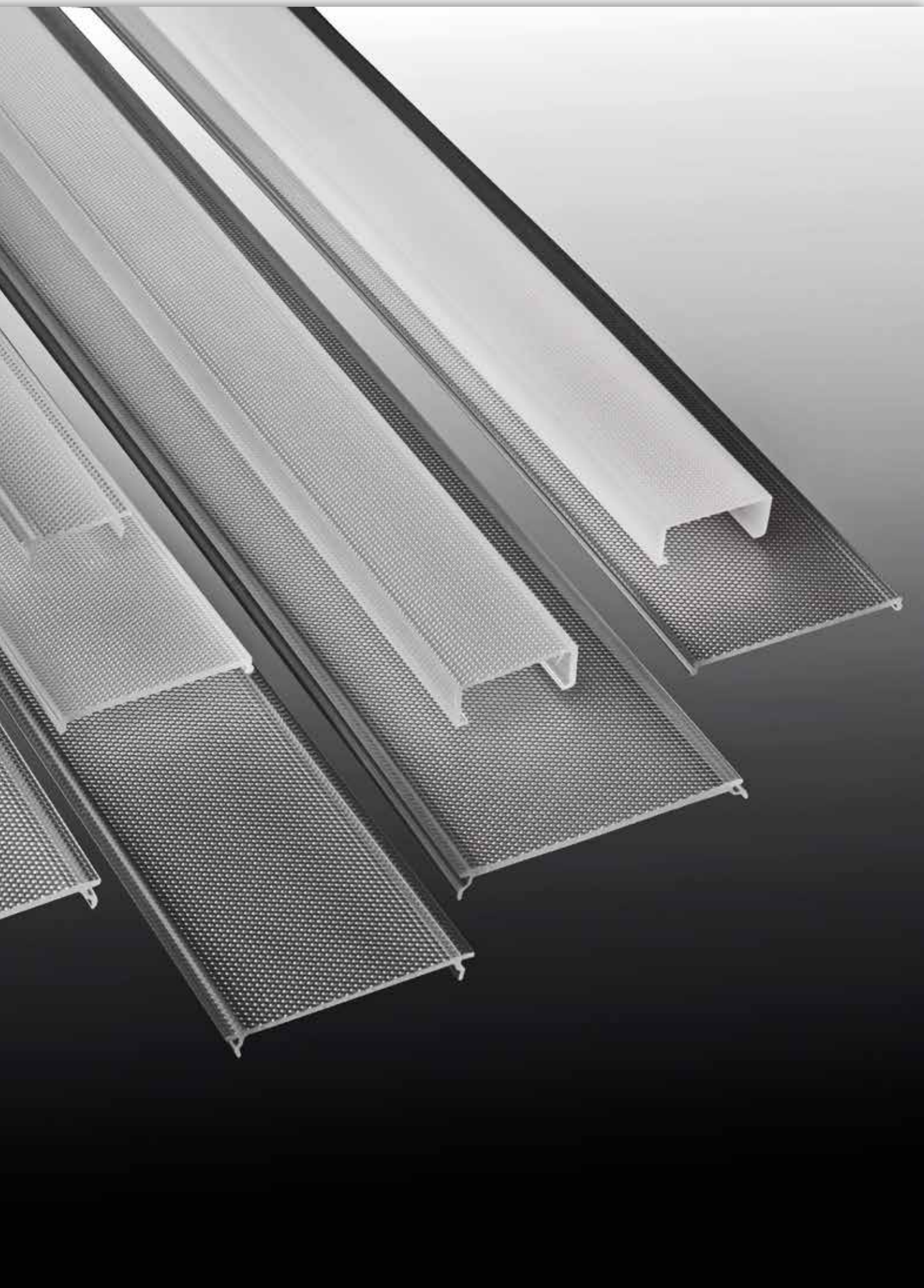


## TECHNICAL FEATURES:

- **Excellent light-brilliance**
- **High Lighting Transmission**
- **Light source not visible**
- **Modern design**
- **Can be used for work stations**



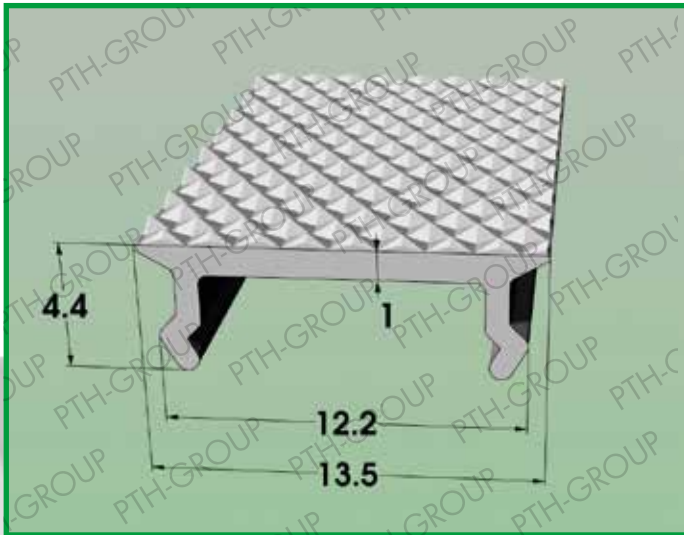




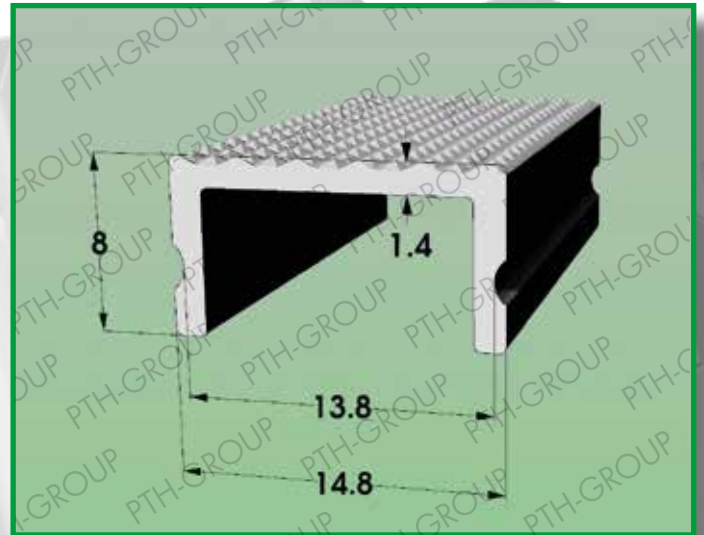


# MICRO PRISMATIC PROFILES

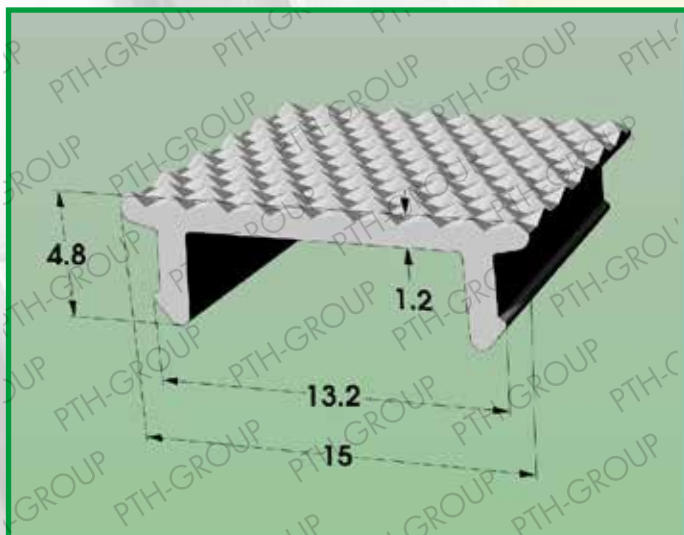
**Profile 1010.457**  
**Material: POLYCARBONATE**



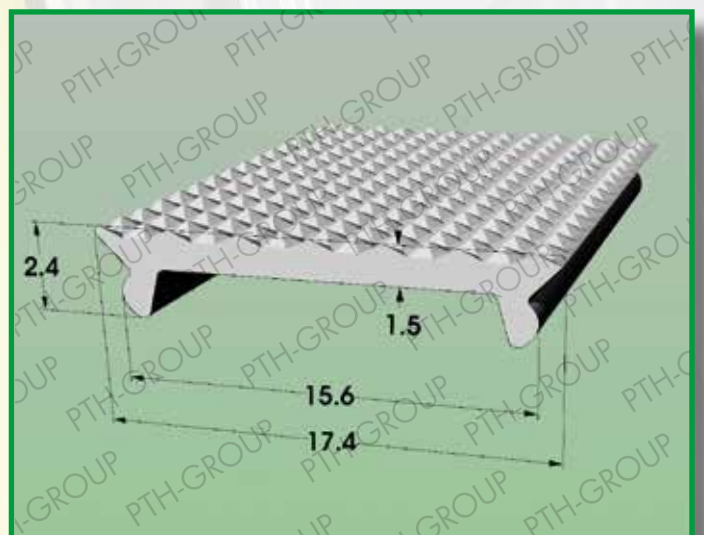
**Profile 1010.146**  
**Material: POLYCARBONATE**



**Profile 1010.175**  
**Material: POLYCARBONATE**

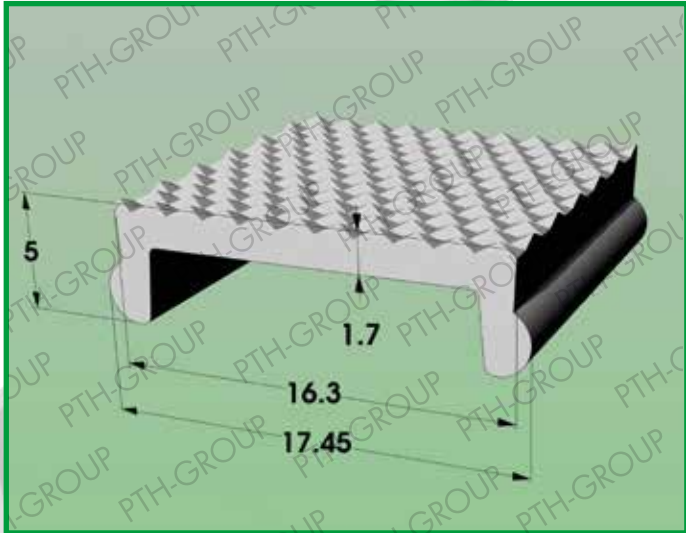


**Profile 1010.420**  
**Material: POLYCARBONATE**

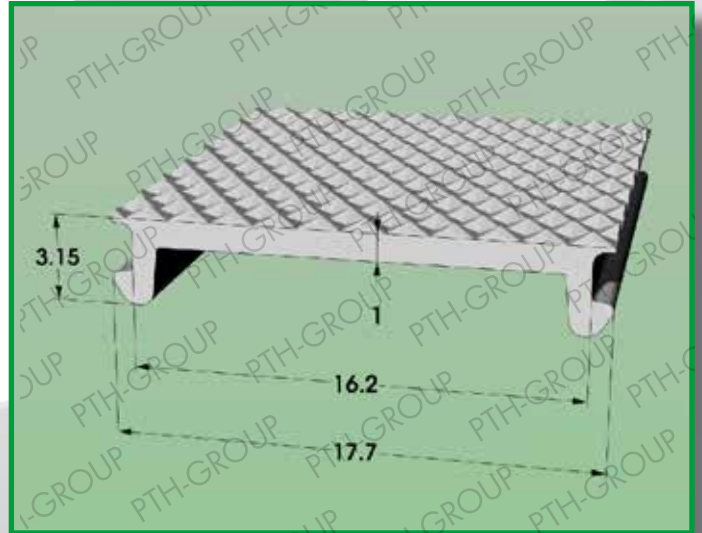


# MICRO PRISMATIC PROFILES

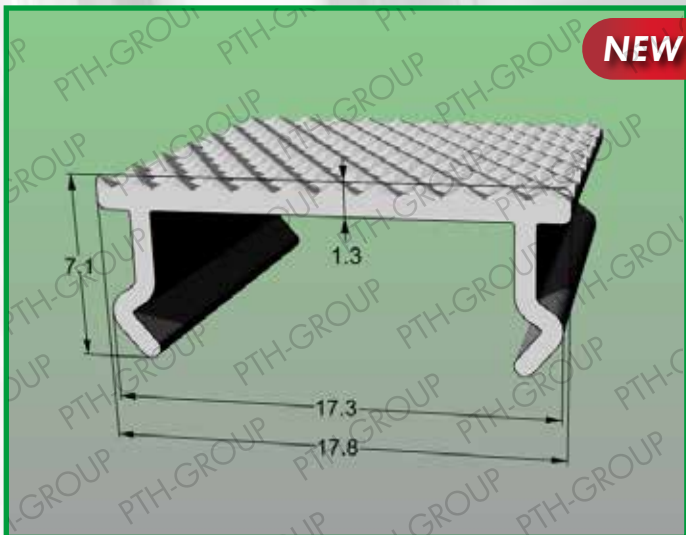
**Profile 1010.511**  
**Material: POLYCARBONATE**



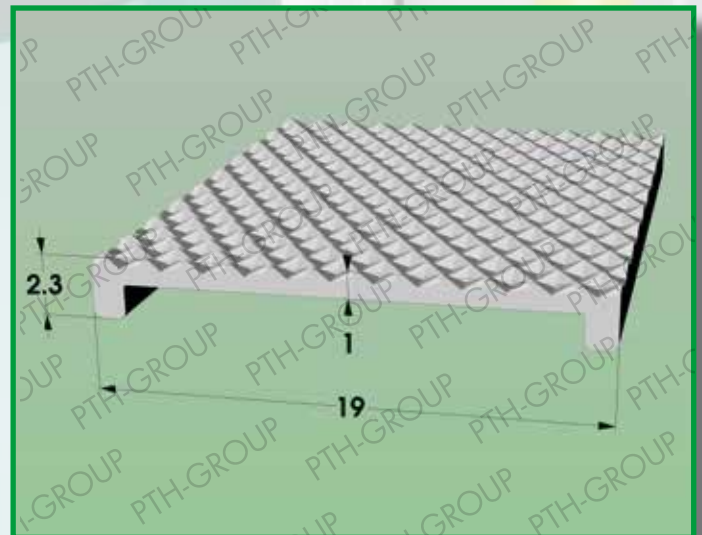
**Profile 1010.496**  
**Material: POLYCARBONATE**



**Profile 1010.535**  
**Material: POLYCARBONATE**



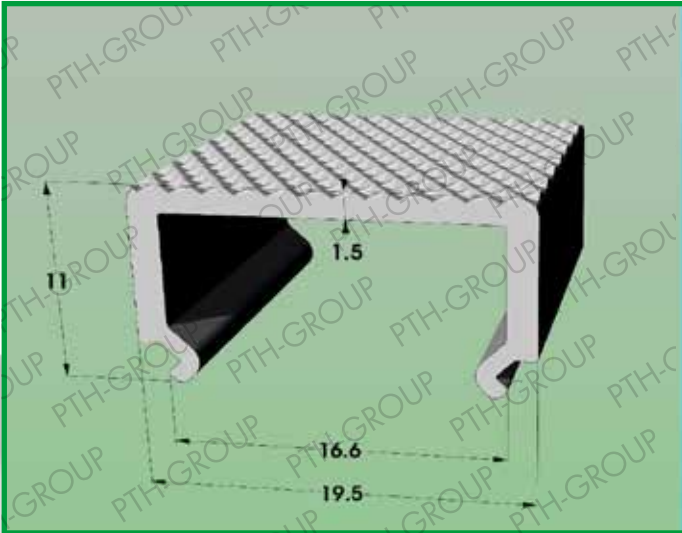
**Profile 1010.479**  
**Material: POLYCARBONATE**



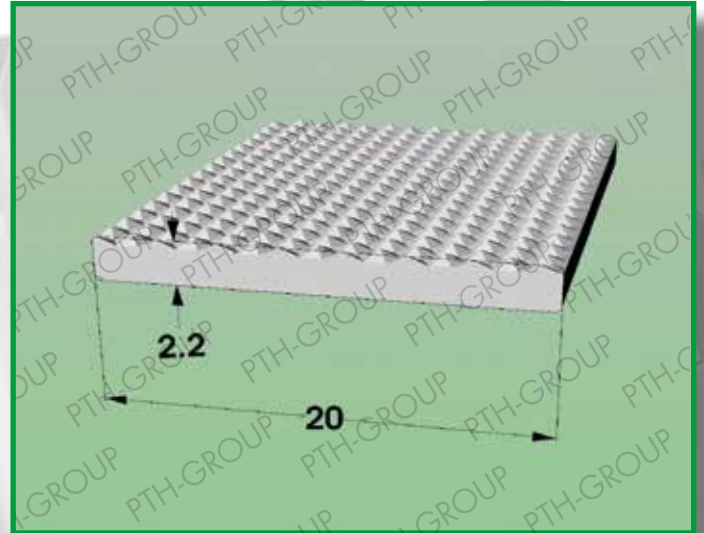


# MICRO PRISMATIC PROFILES

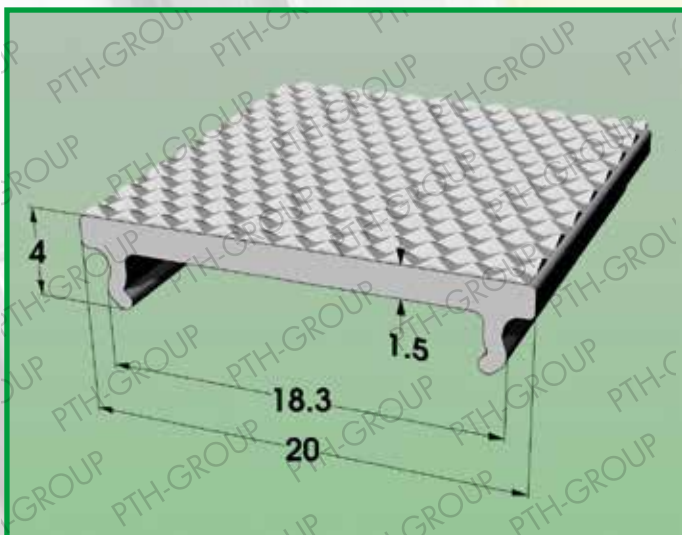
**Profile 1010.497**  
**Material: POLYCARBONATE**



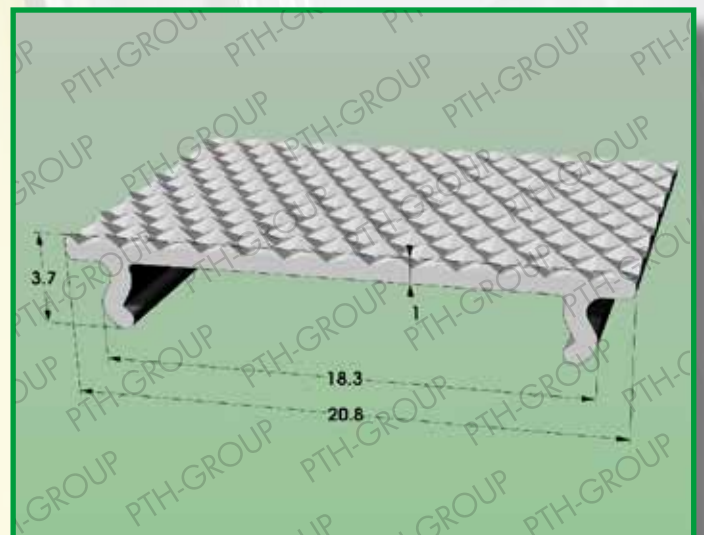
**Profile 1010.333**  
**Material: POLYCARBONATE**



**Profile 1010.226**  
**Material: POLYCARBONATE**



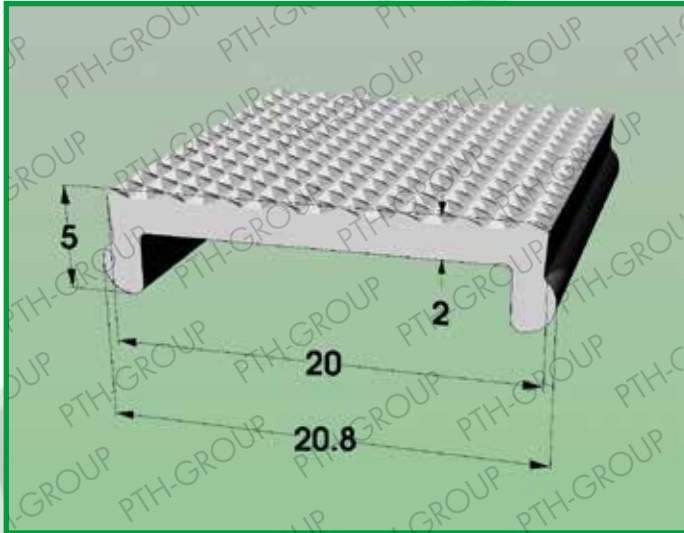
**Profile 1010.507**  
**Material: POLYCARBONATE**



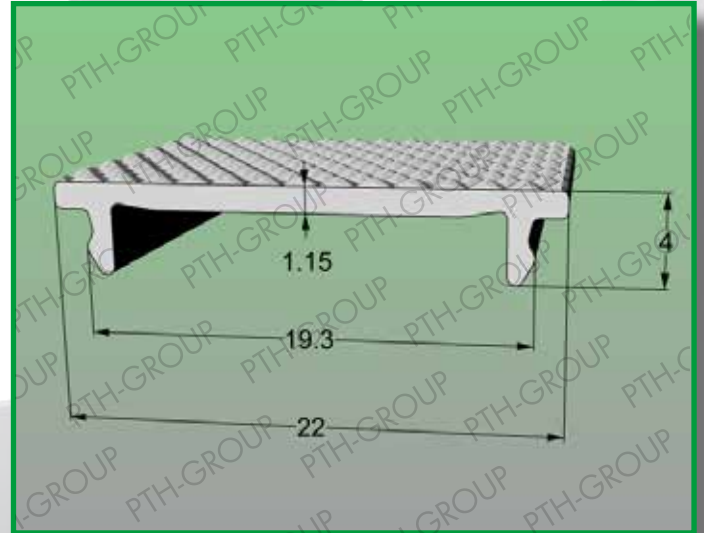


# MICRO PRISMATIC PROFILES

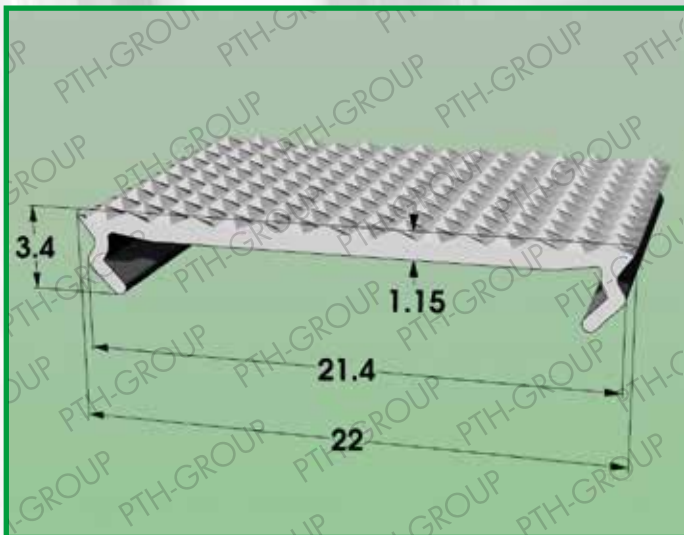
**Profile 1010.293**  
**Material: POLYCARBONATE**



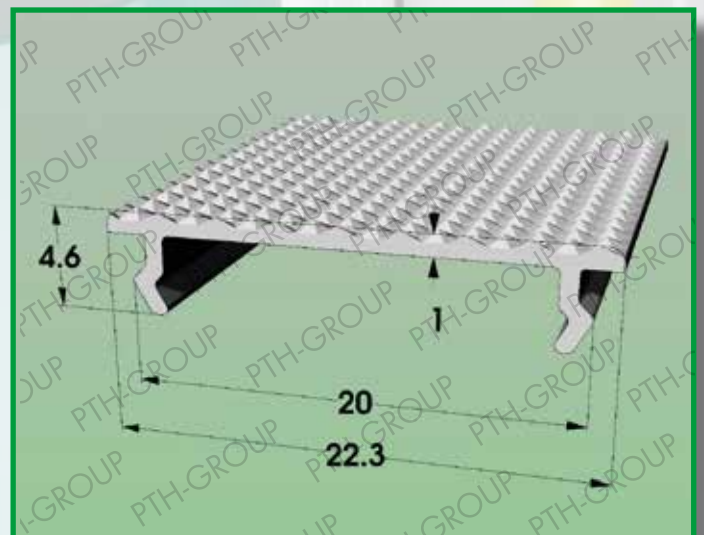
**Profile 1010.519**  
**Material: POLYCARBONATE**



**Profile 1010.434**  
**Material: POLYCARBONATE**

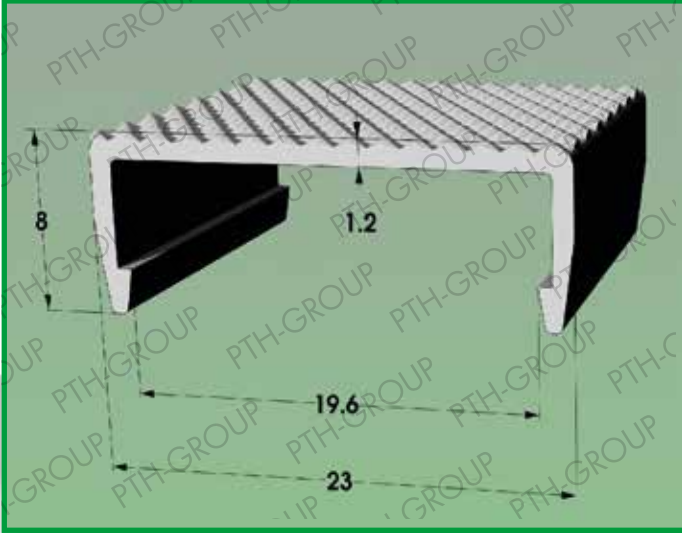


**Profile 1010.394**  
**Material: POLYCARBONATE**

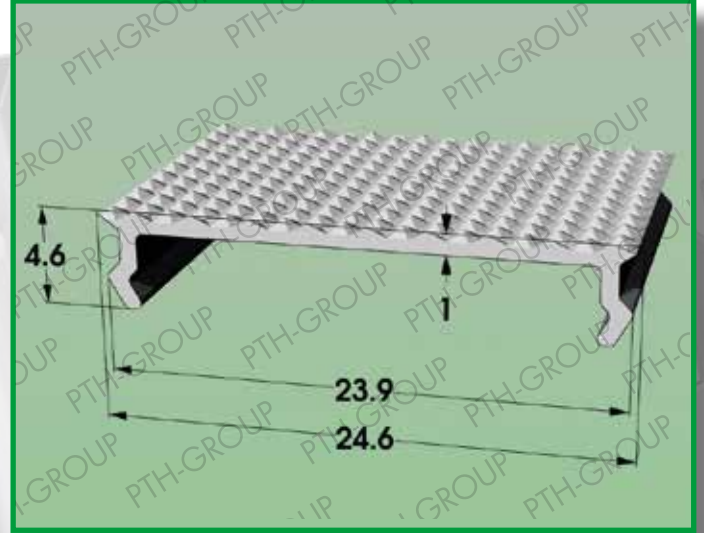


# MICRO PRISMATIC PROFILES

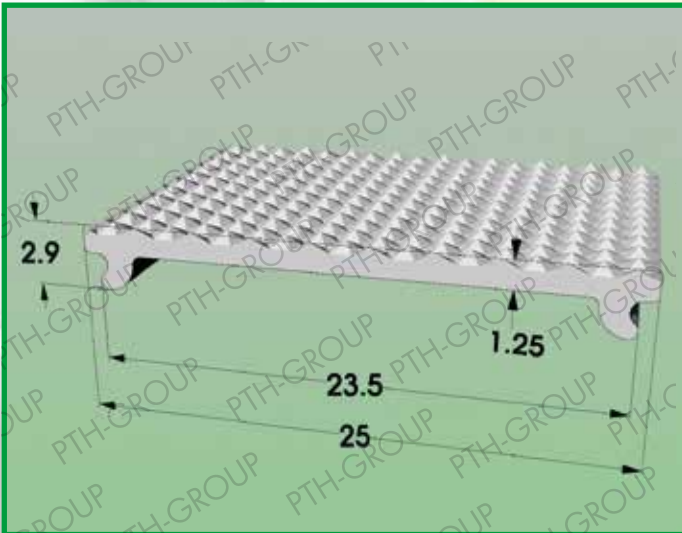
**Profile 1010.513**  
**Material: POLYCARBONATE**



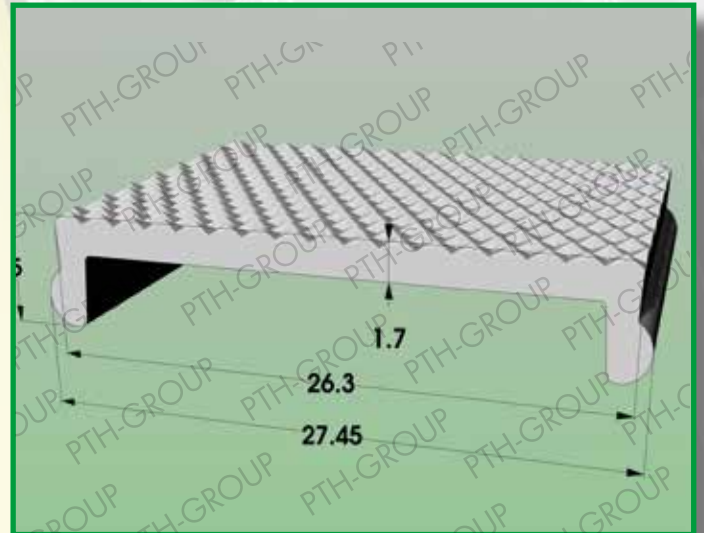
**Profile 1010.436**  
**Material: POLYCARBONATE**



**Profile 1010.264**  
**Material: POLYCARBONATE**

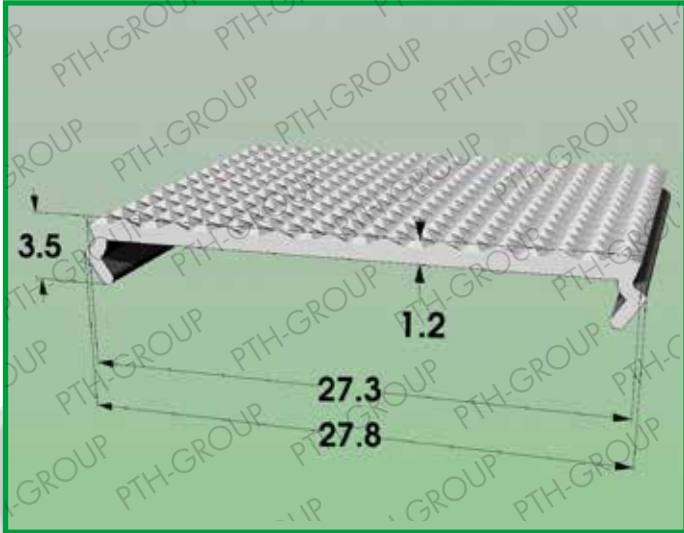


**Profile 1010.512**  
**Material: POLYCARBONATE**

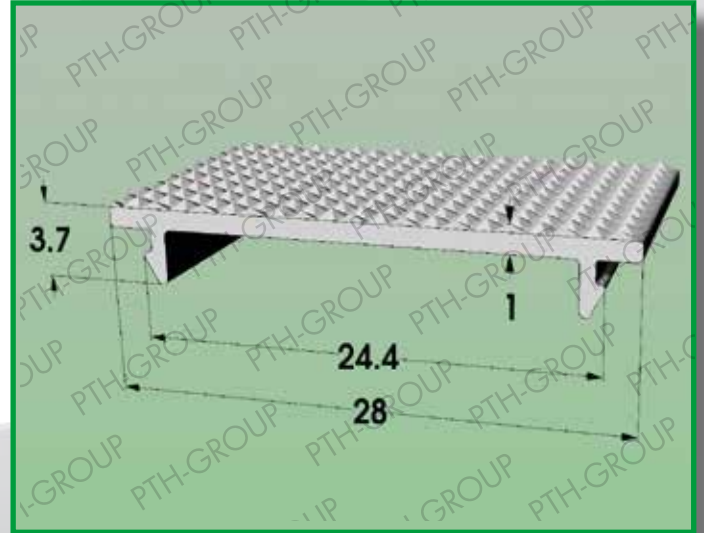


# MICRO PRISMATIC PROFILES

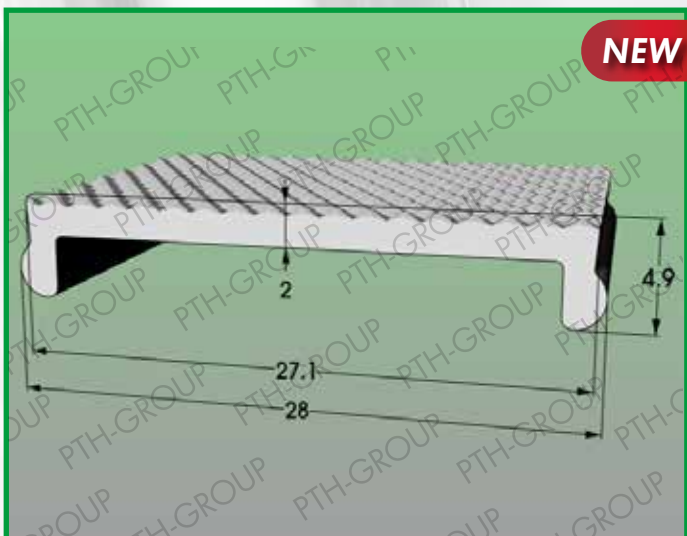
**Profile 1010.355**  
**Material: POLYCARBONATE**



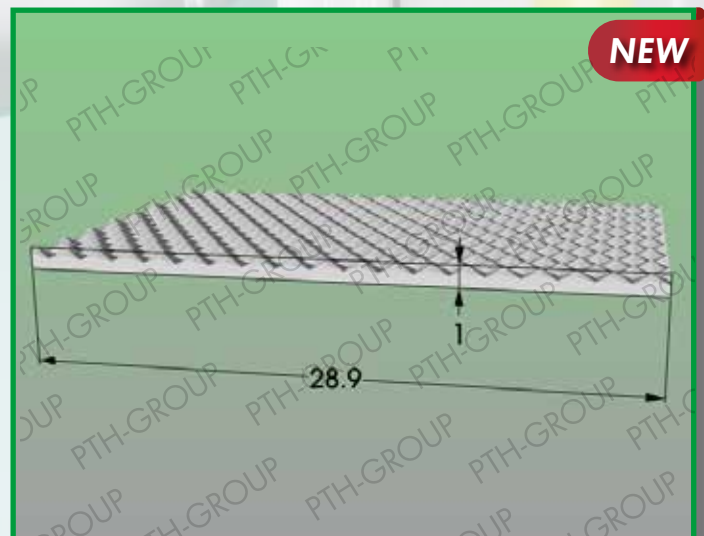
**Profile 1010.162**  
**Material: POLYCARBONATE**



**Profile 1010.536**  
**Material: POLYCARBONATE**



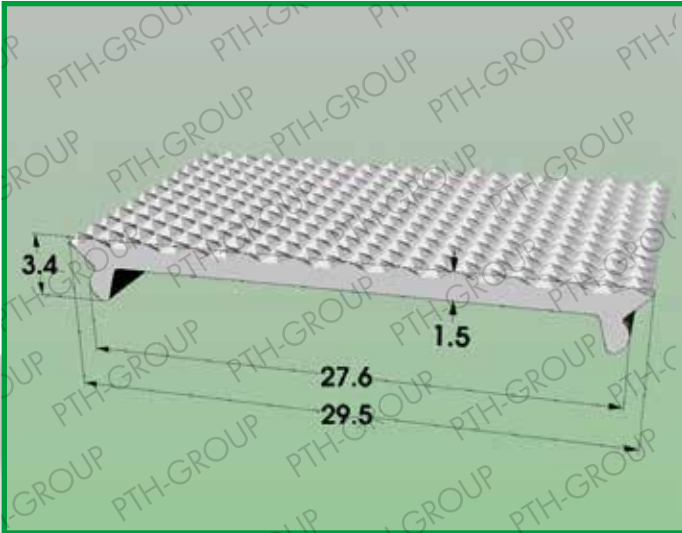
**Profile 1010.553**  
**Material: POLYCARBONATE**



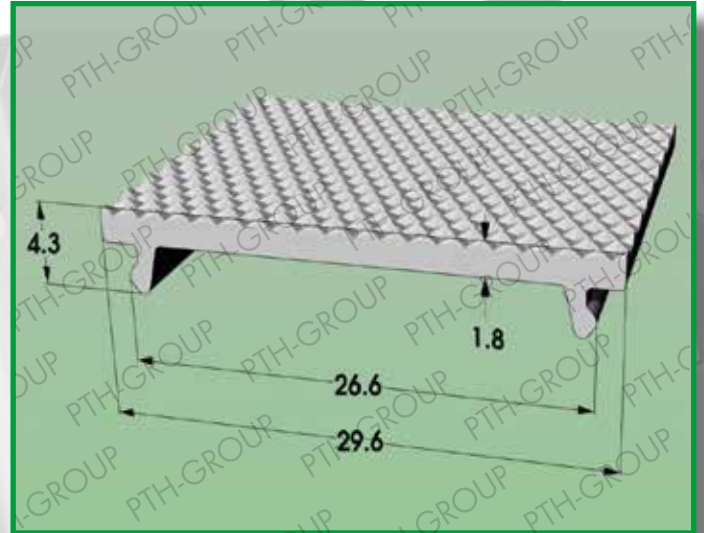


# MICRO PRISMATIC PROFILES

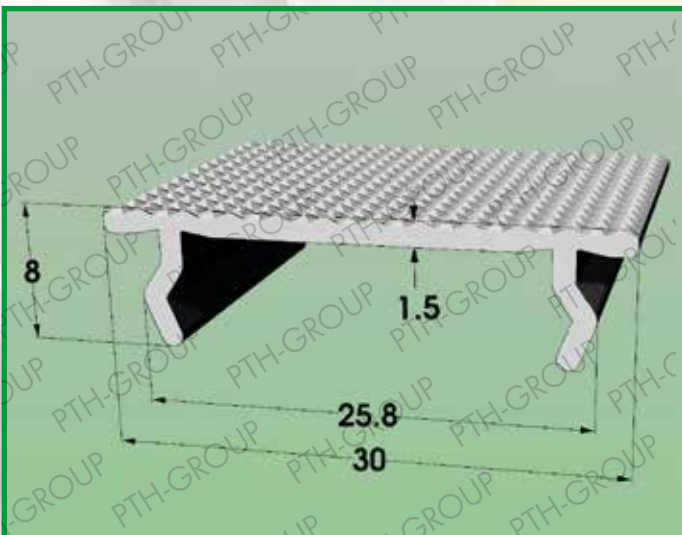
**Profile 1010.423**  
**Material: POLYCARBONATE**



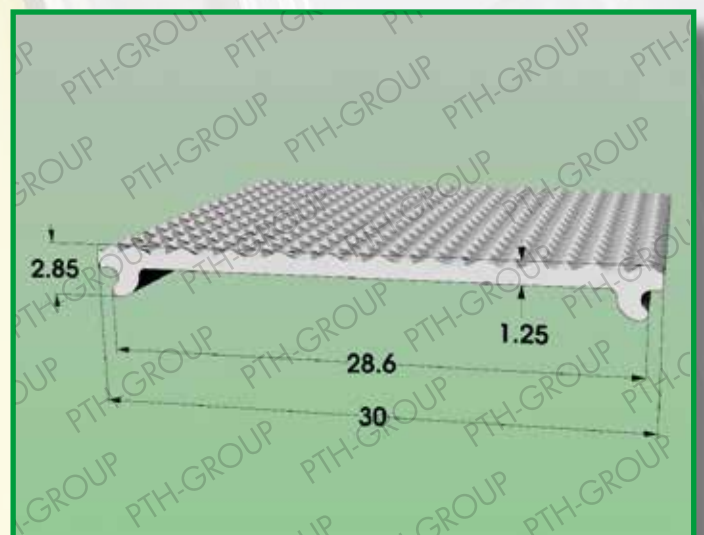
**Profile 1010.260**  
**Material: POLYCARBONATE**



**Profile 1010.318**  
**Material: POLYCARBONATE**

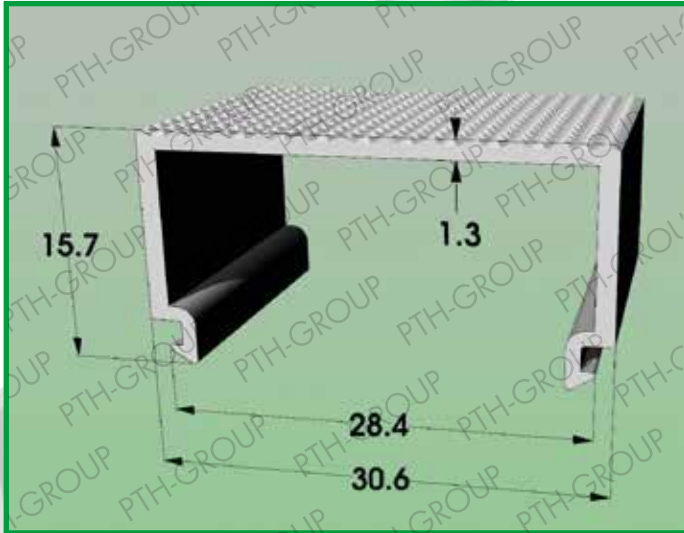


**Profile 1010.286**  
**Material: POLYCARBONATE**

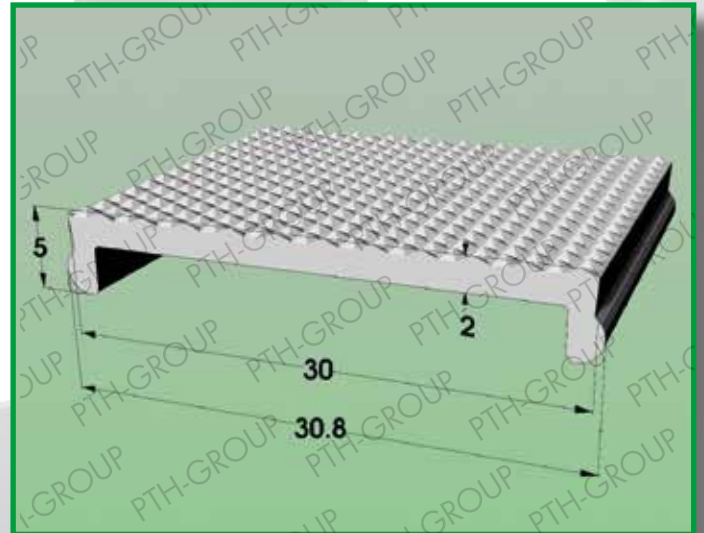


# MICRO PRISMATIC PROFILES

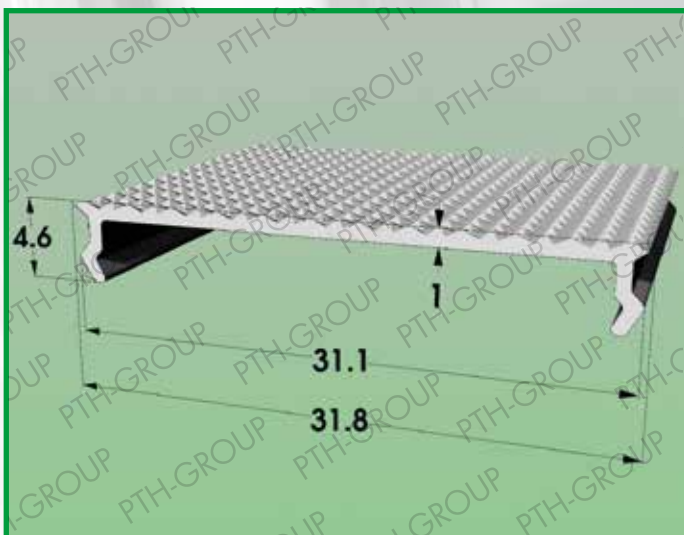
**Profile 1010.303**  
**Material: POLYCARBONATE**



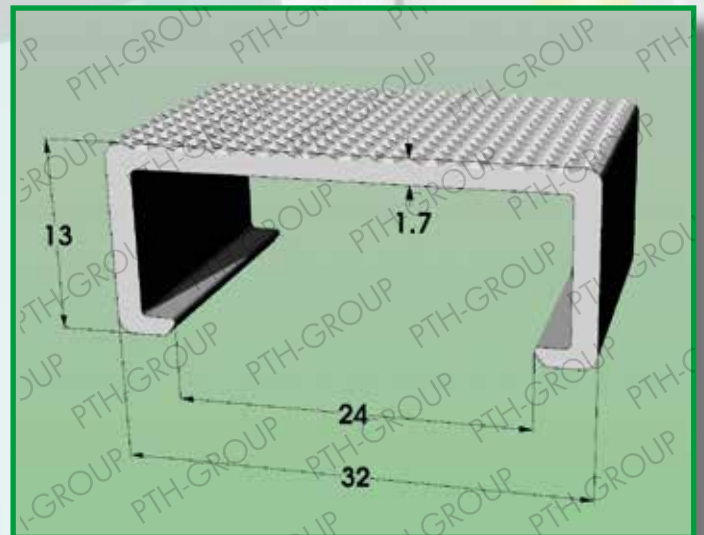
**Profile 1010.294**  
**Material: POLYCARBONATE**



**Profile 1010.418**  
**Material: POLYCARBONATE**



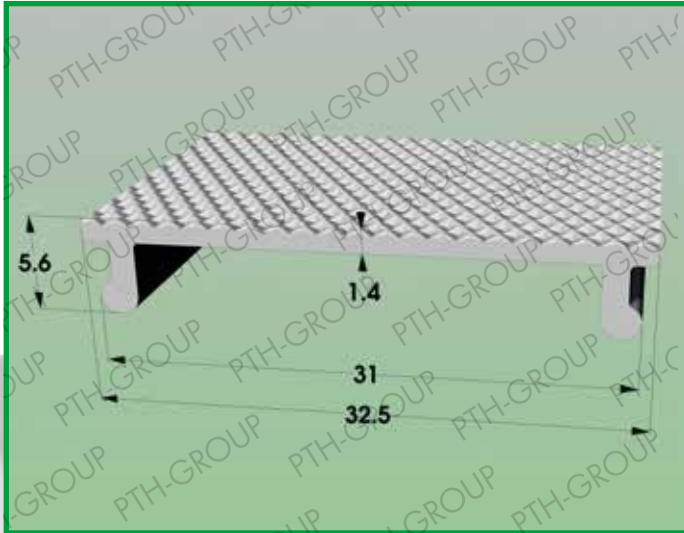
**Profile 1010.427**  
**Material: POLYCARBONATE**



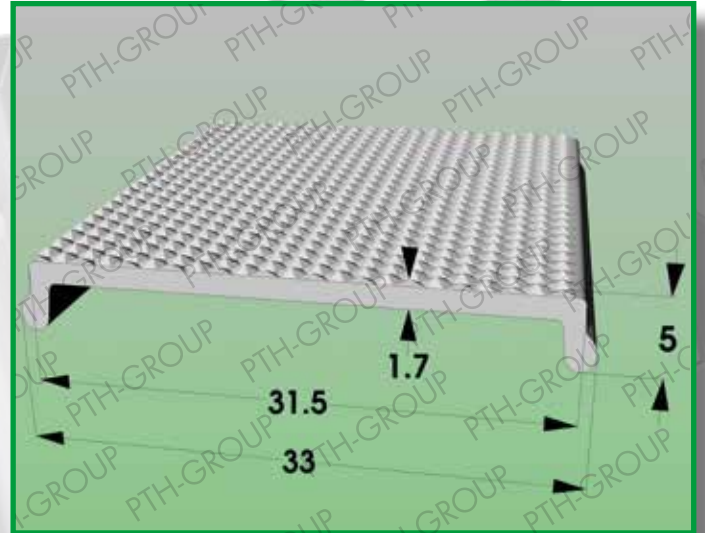


# MICRO PRISMATIC PROFILES

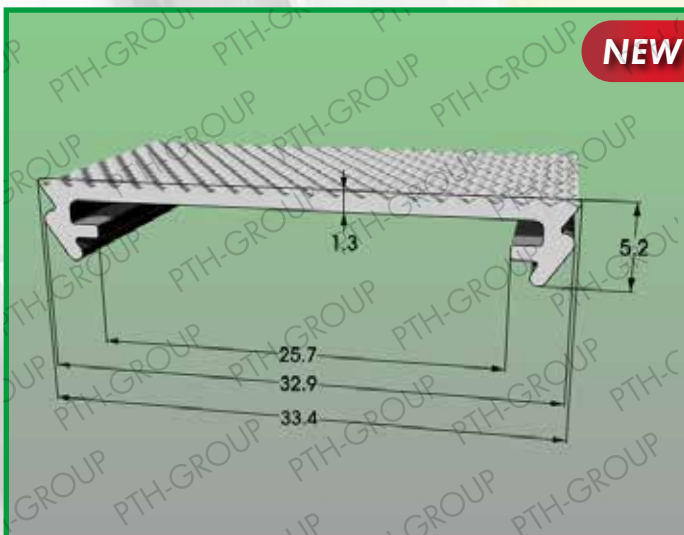
**Profile 1010.482**  
**Material: POLYCARBONATE**



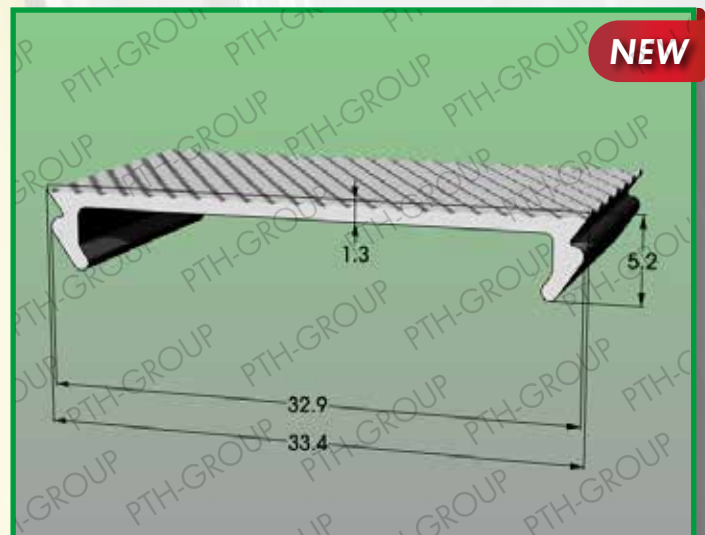
**Profile 1010.50**  
**Material: POLYCARBONATE**



**Profile 1010.551**  
**Material: POLYCARBONATE**



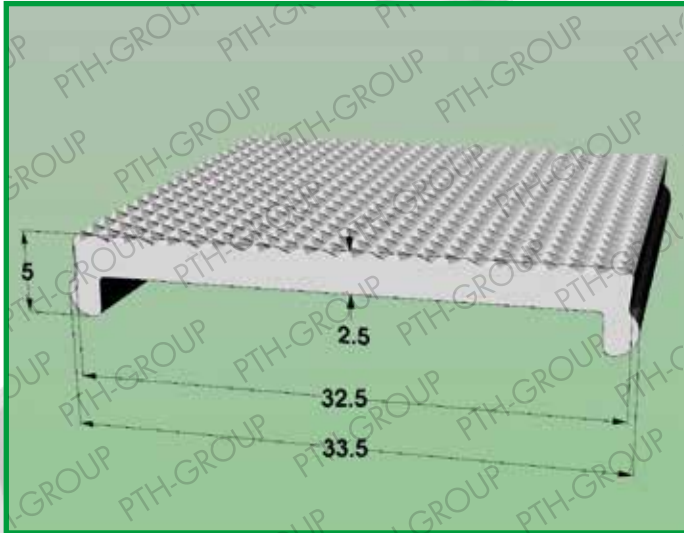
**Profile 1010.552**  
**Material: POLYCARBONATE**



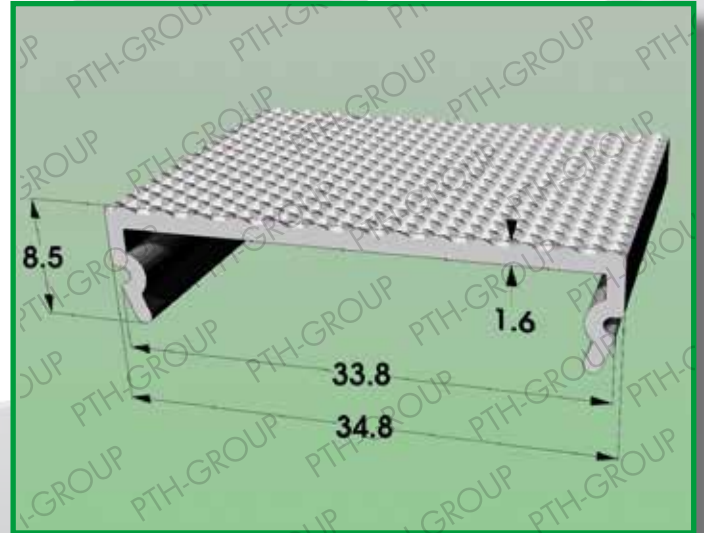


# MICRO PRISMATIC PROFILES

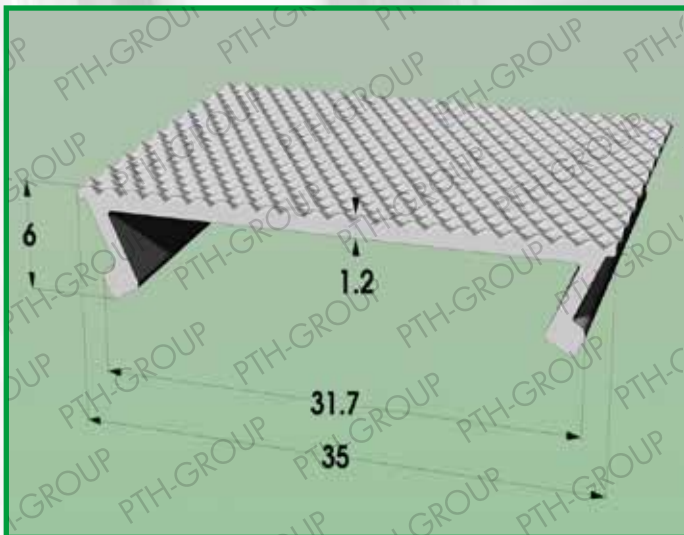
**Profile 1010.51**  
**Material: POLYCARBONATE**



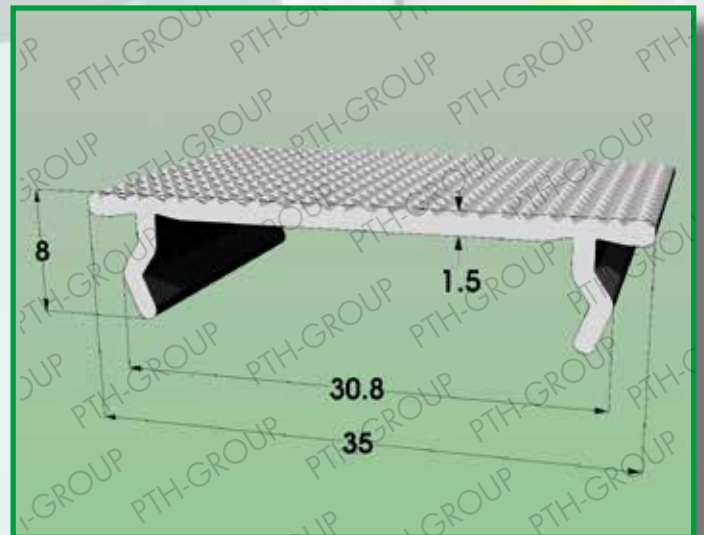
**Profile 1010.180**  
**Material: POLYCARBONATE**



**Profile 1010.449**  
**Material: POLYCARBONATE**

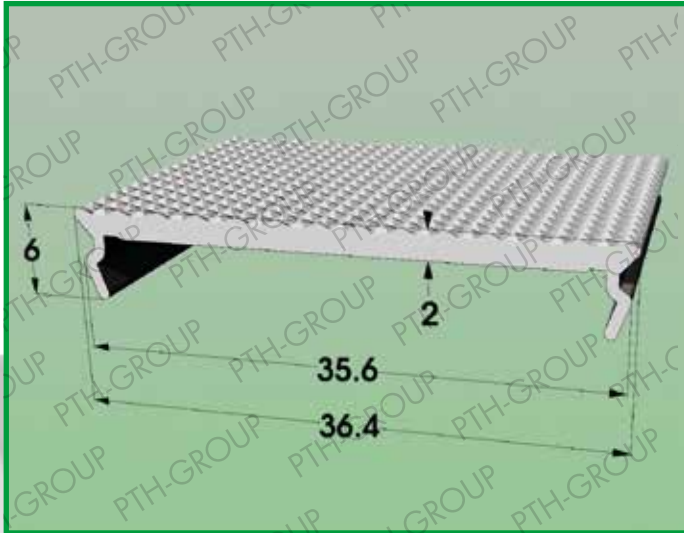


**Profile 1010.319**  
**Material: POLYCARBONATE**

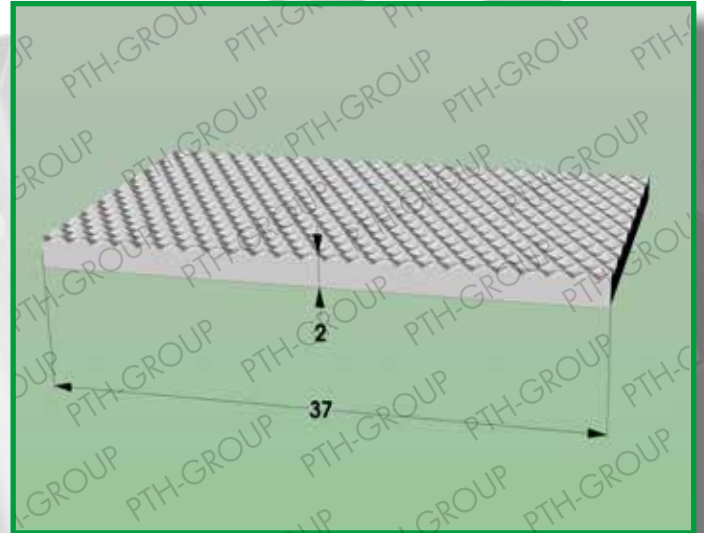


# MICRO PRISMATIC PROFILES

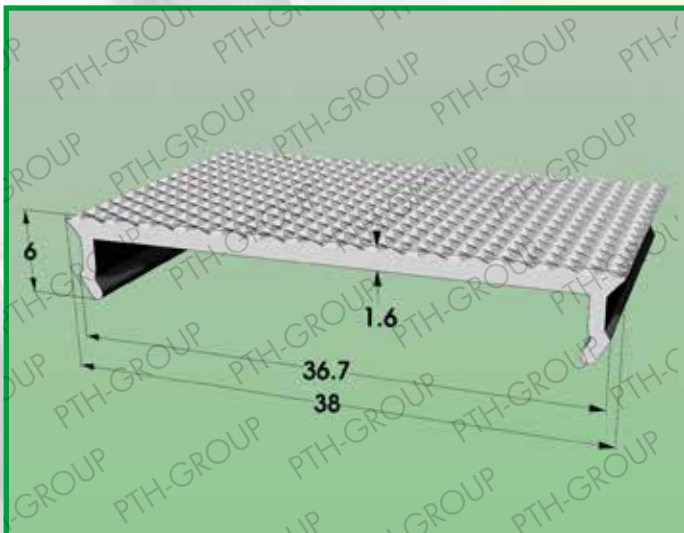
**Profile 1010.351**  
**Material: POLYCARBONATE**



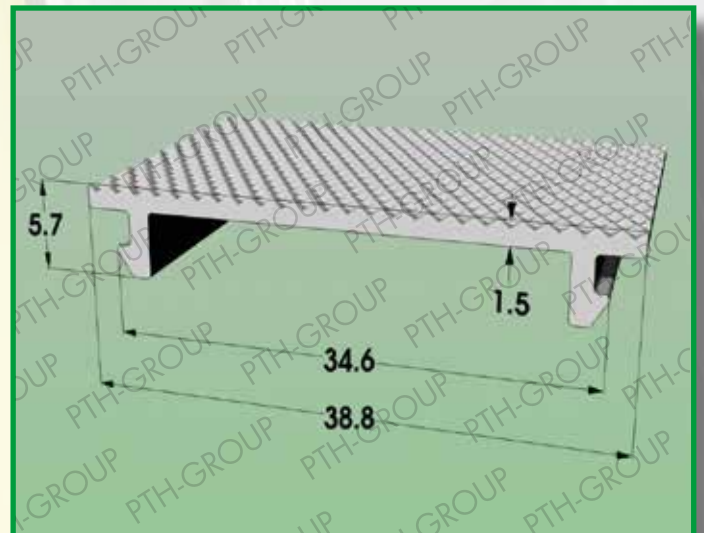
**Profile 1010.481**  
**Material: POLYCARBONATE**



**Profile 1010.379**  
**Material: POLYCARBONATE**

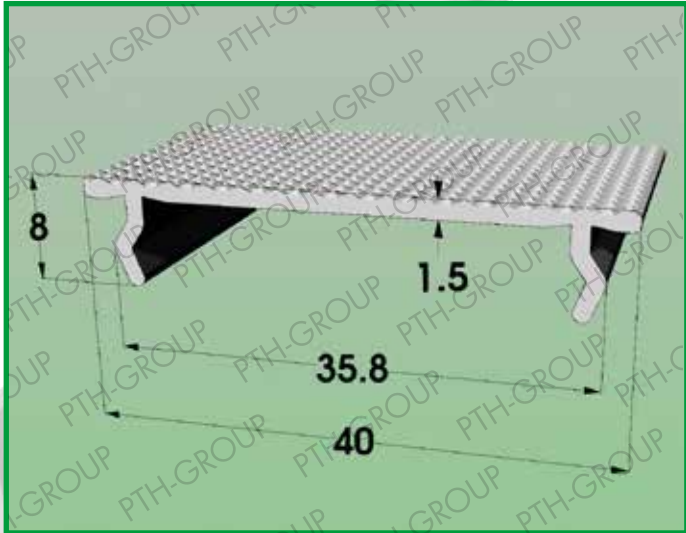


**Profile 1010.266**  
**Material: POLYCARBONATE**

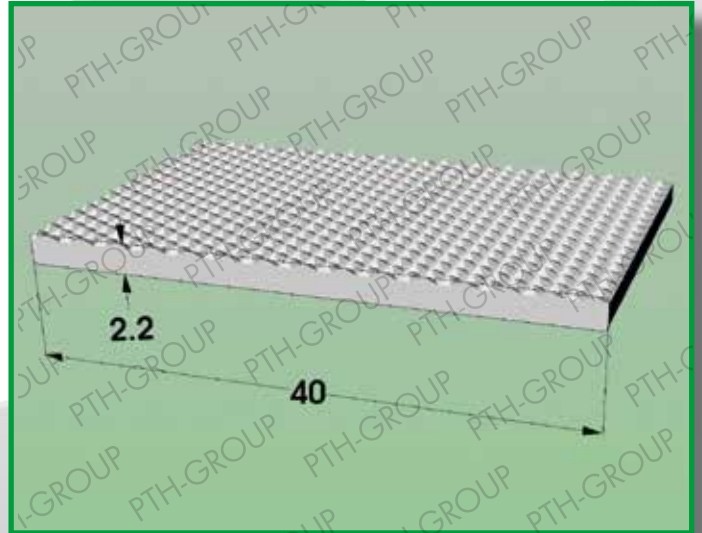


# MICRO PRISMATIC PROFILES

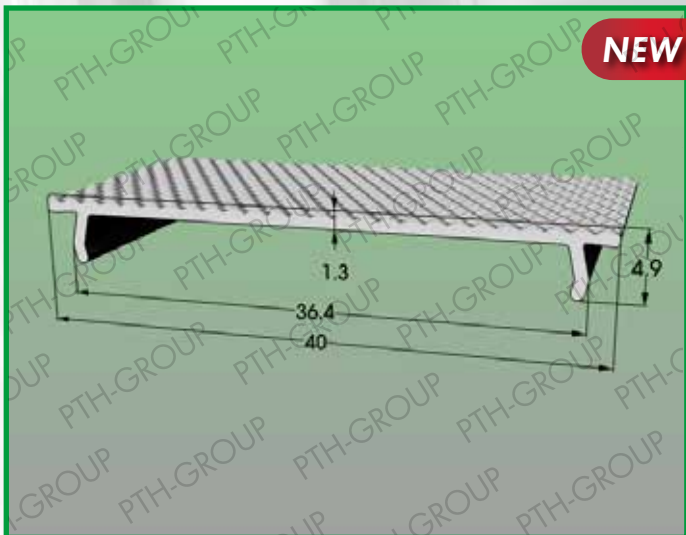
**Profile 1010.320**  
**Material: POLYCARBONATE**



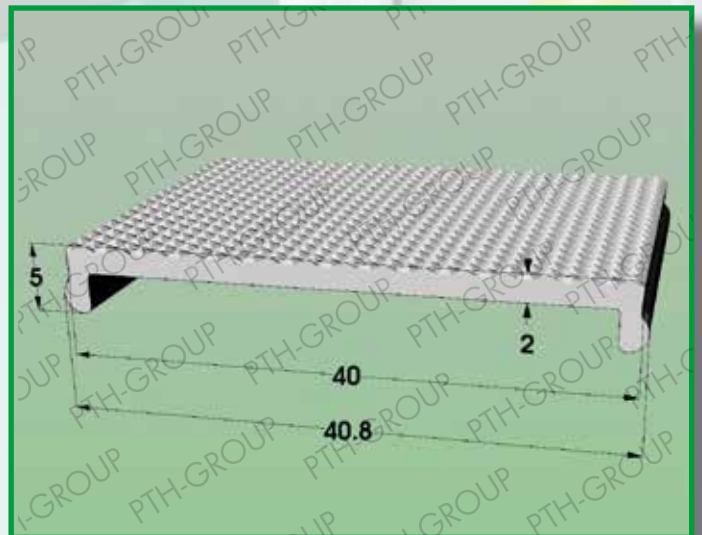
**Profile 1010.332**  
**Material: POLYCARBONATE**



**Profile 1010.541**  
**Material: POLYCARBONATE**



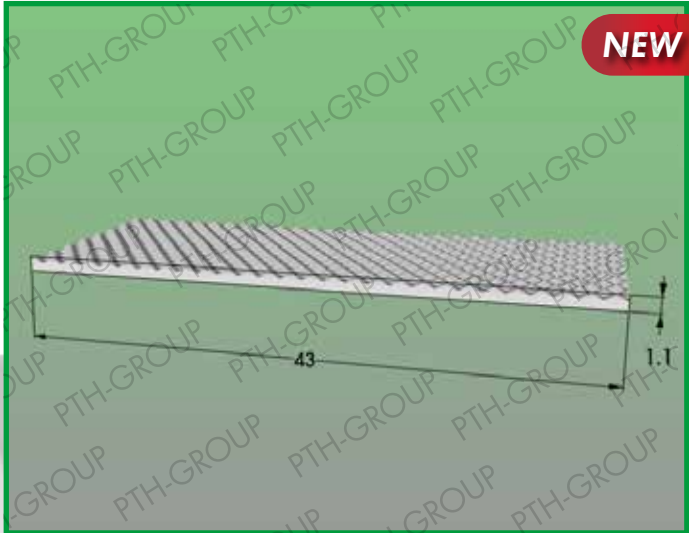
**Profile 1010.295**  
**Material: POLYCARBONATE**



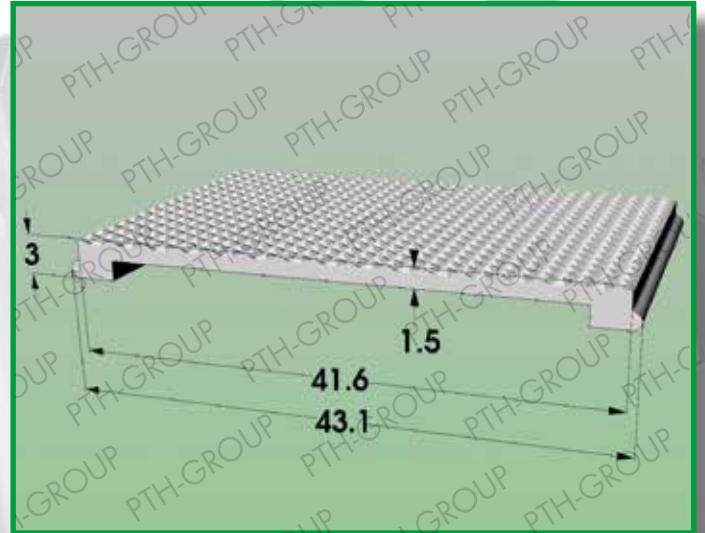


# MICRO PRISMATIC PROFILES

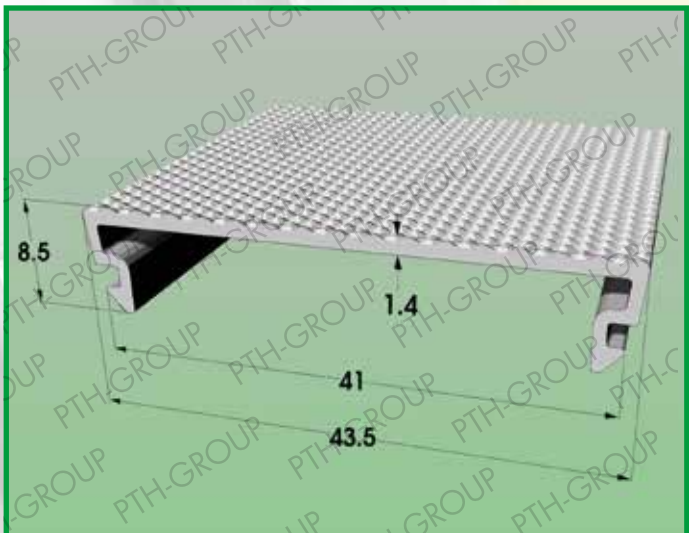
**Profile 1010.539**  
**Material: POLYCARBONATE**



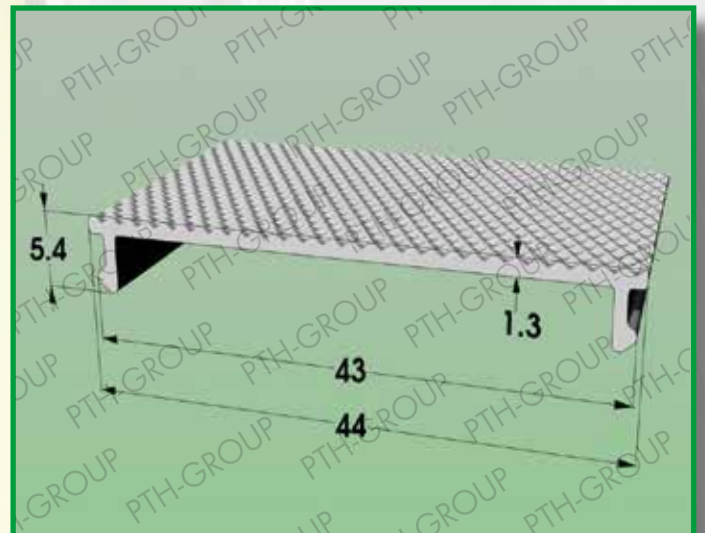
**Profile 1010.362**  
**Material: POLYCARBONATE**



**Profile 1010.32**  
**Material: POLYCARBONATE**

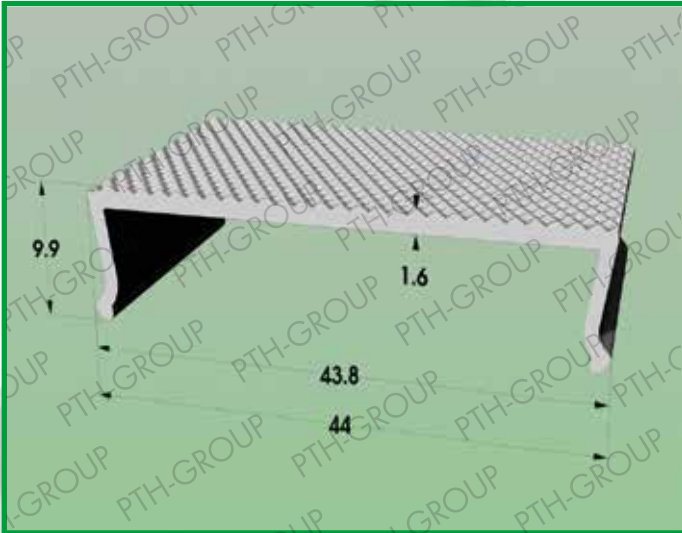


**Profile 1010.268**  
**Material: POLYCARBONATE**

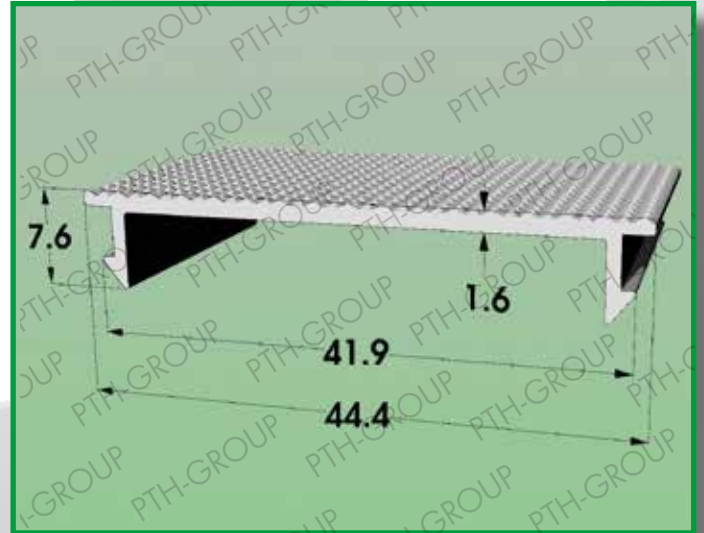


# MICRO PRISMATIC PROFILES

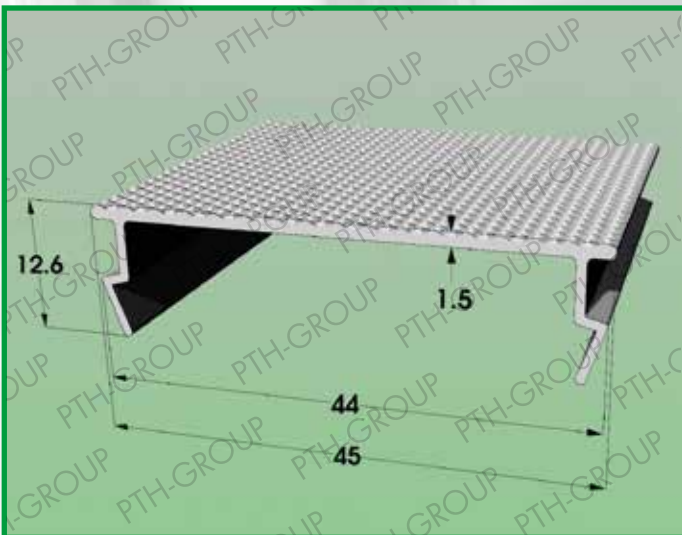
**Profile 1010.440**  
**Material: POLYCARBONATE**



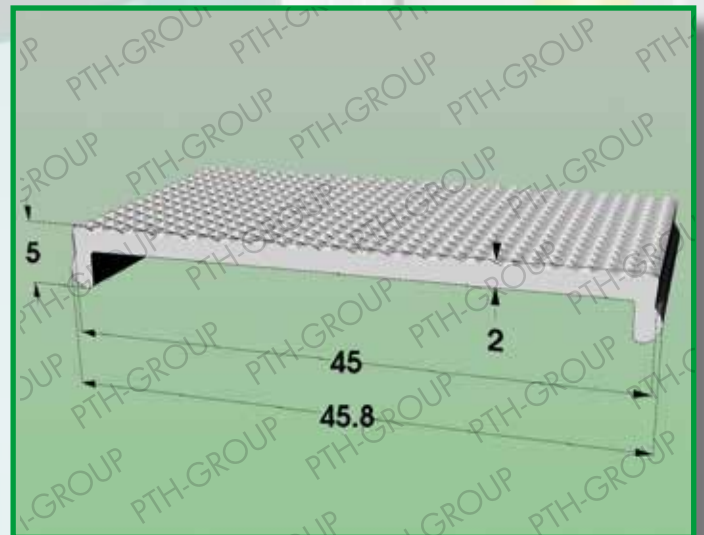
**Profile 1010.307**  
**Material: POLYCARBONATE**



**Profile 1010.40**  
**Material: POLYCARBONATE**

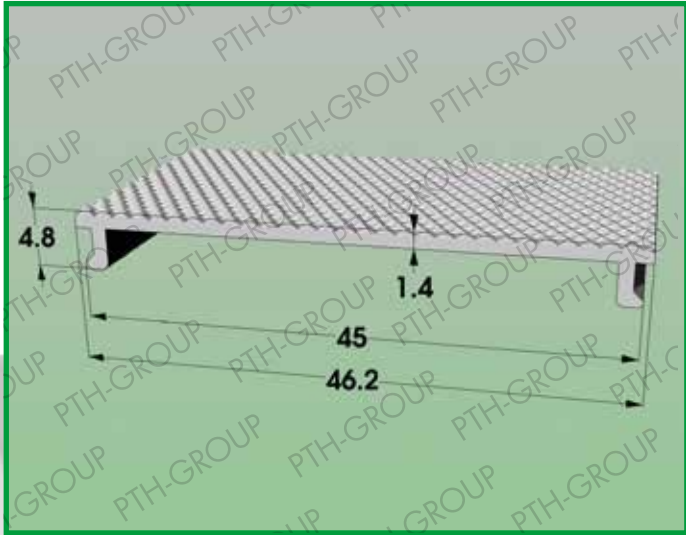


**Profile 1010.296**  
**Material: POLYCARBONATE**

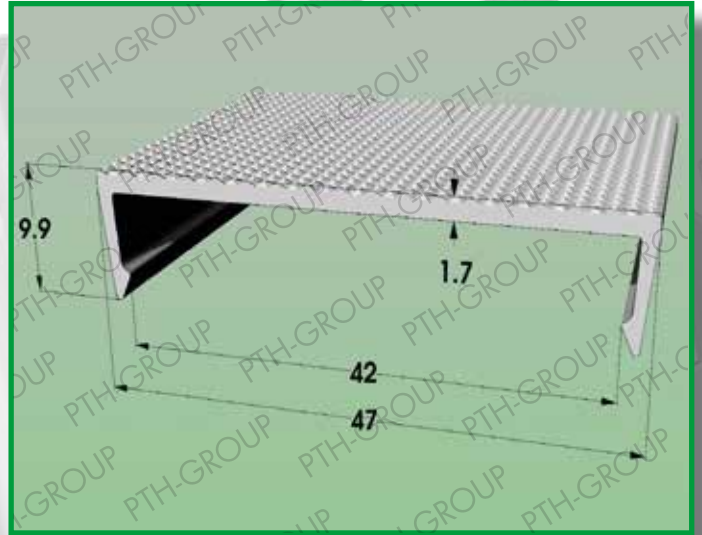


# MICRO PRISMATIC PROFILES

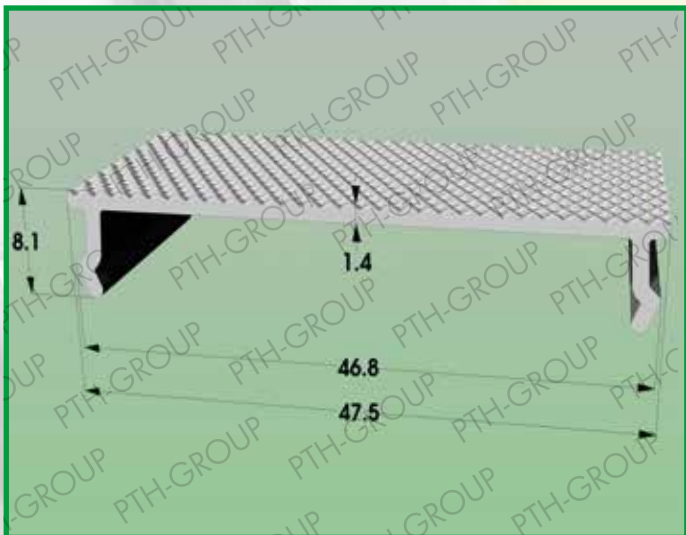
**Profile 1010.459**  
Material: POLYCARBONATE



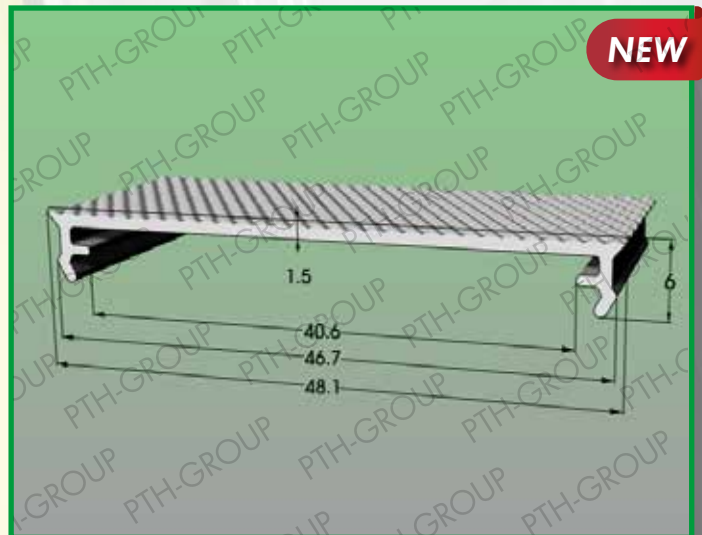
**Profile 1010.412**  
Material: POLYCARBONATE



**Profile 1010.483**  
Material: POLYCARBONATE



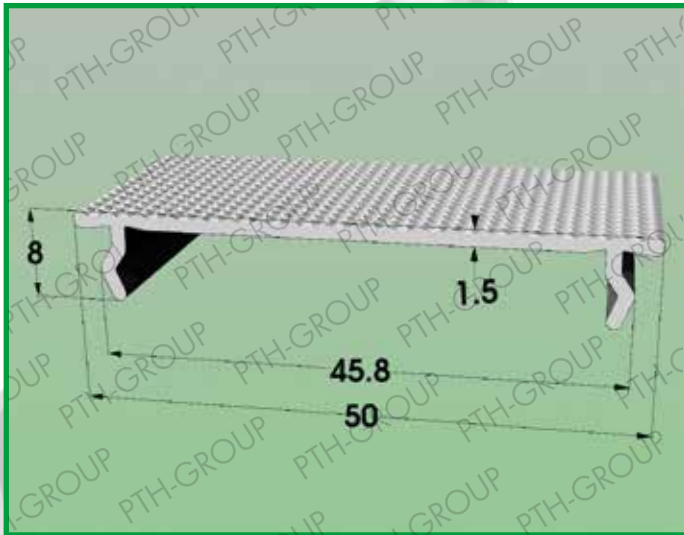
**Profile 1010.538**  
Material: POLYCARBONATE



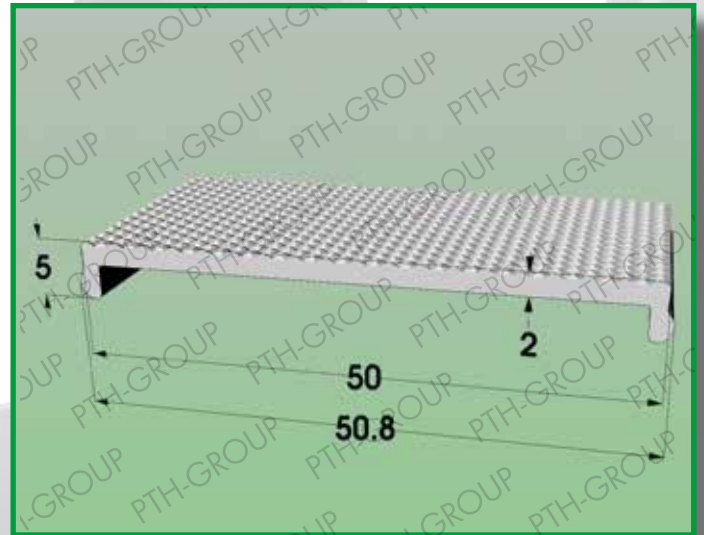


# MICRO PRISMATIC PROFILES

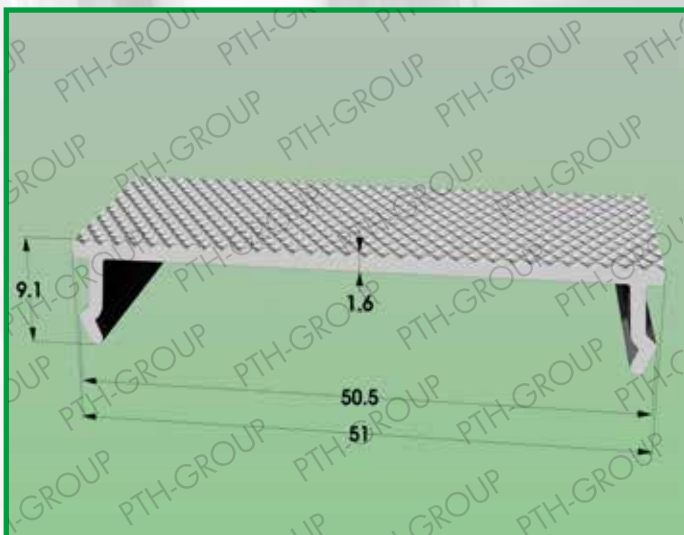
**Profile 1010.321**  
**Material: POLYCARBONATE**



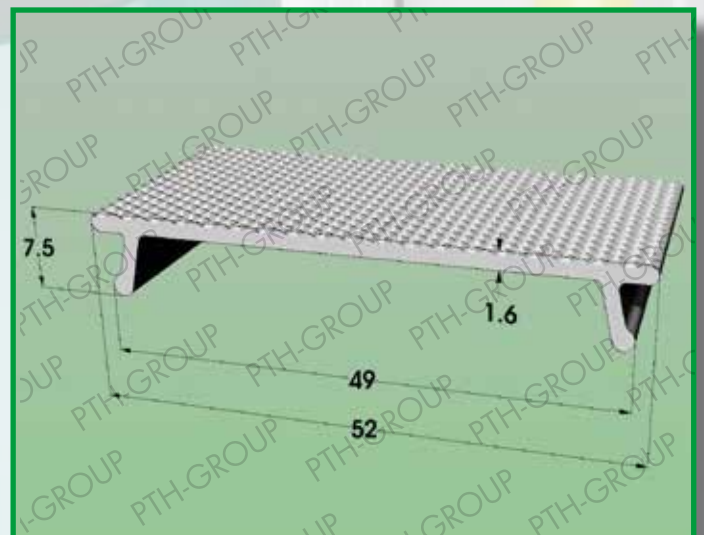
**Profile 1010.297**  
**Material: POLYCARBONATE**



**Profile 1010.484**  
**Material: POLYCARBONATE**

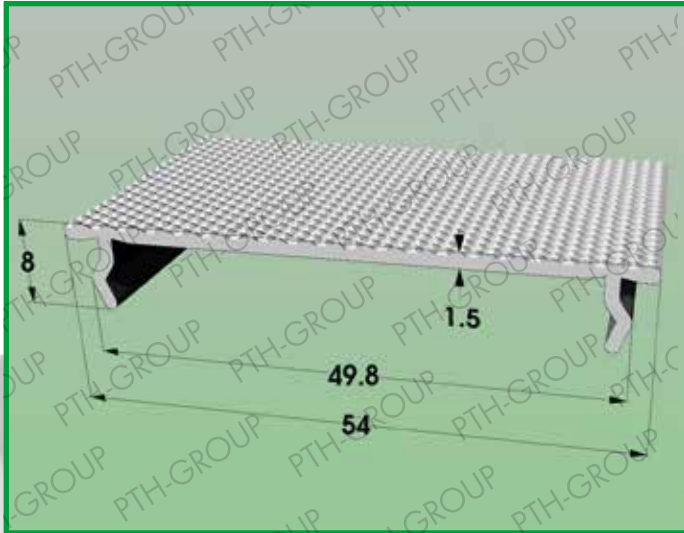


**Profile 1010.242**  
**Material: POLYCARBONATE**

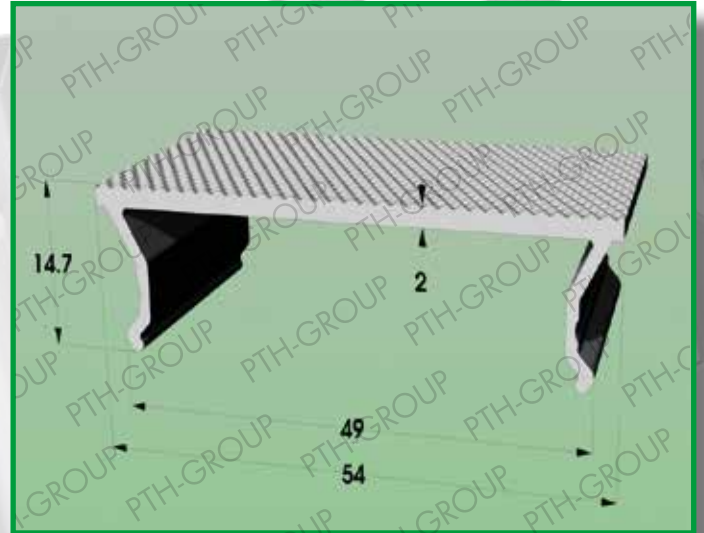


# MICRO PRISMATIC PROFILES

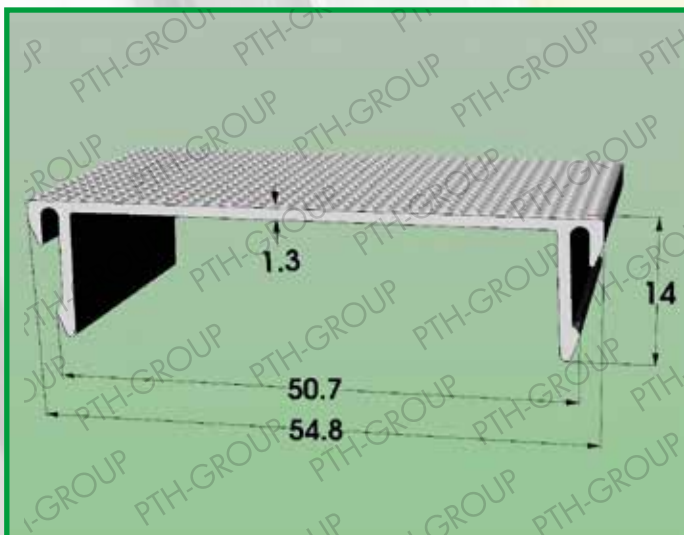
**Profile 1010.174**  
**Material: POLYCARBONATE**



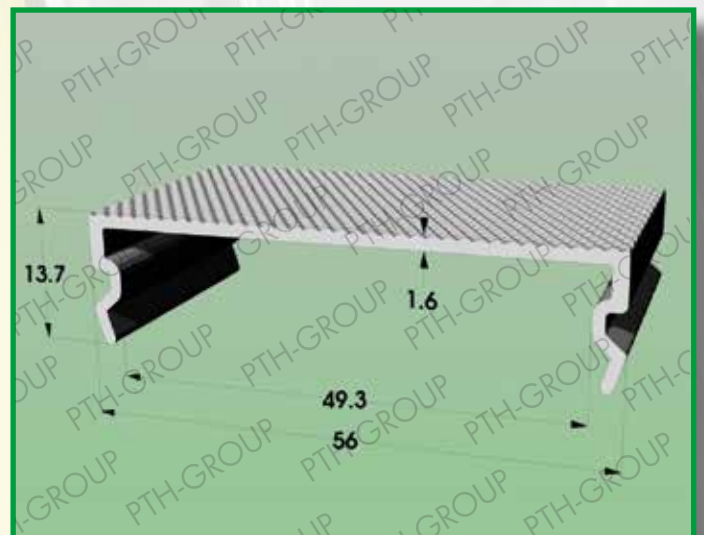
**Profile 1010.448**  
**Material: POLYCARBONATE**



**Profile 1010.323**  
**Material: POLYCARBONATE**

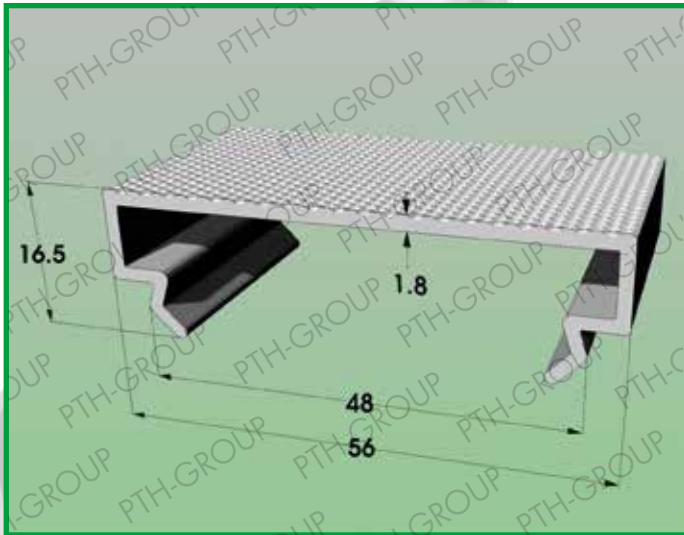


**Profile 1010.445**  
**Material: POLYCARBONATE CLEAR / OPAL**

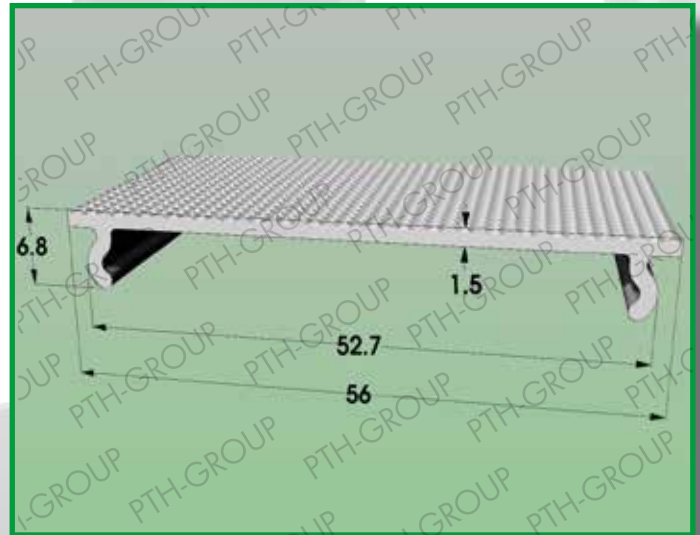


# MICRO PRISMATIC PROFILES

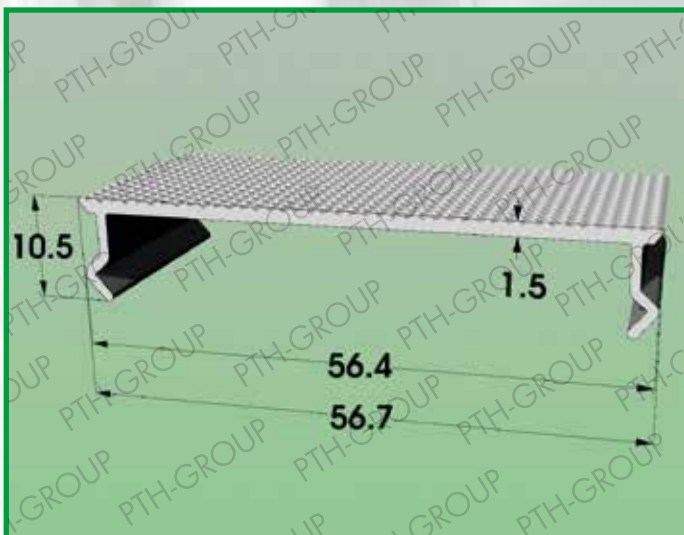
**Profile 1010.102**  
**Material: POLYCARBONATE**



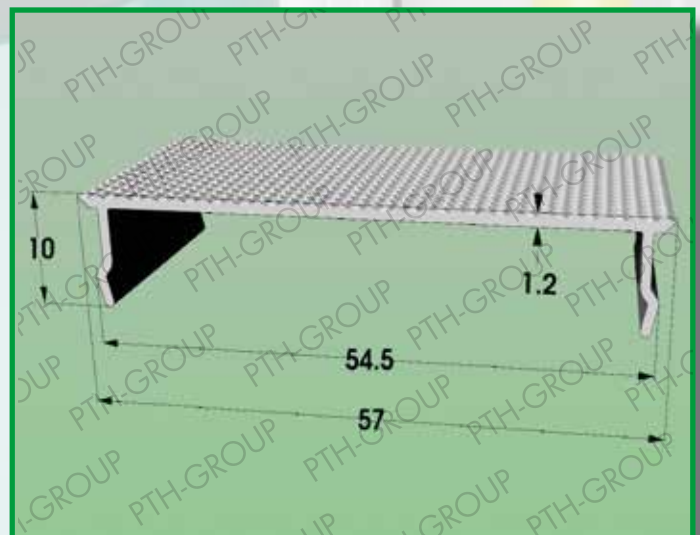
**Profile 1010.419**  
**Material: POLYCARBONATE**



**Profile 1010.301**  
**Material: POLYCARBONATE**



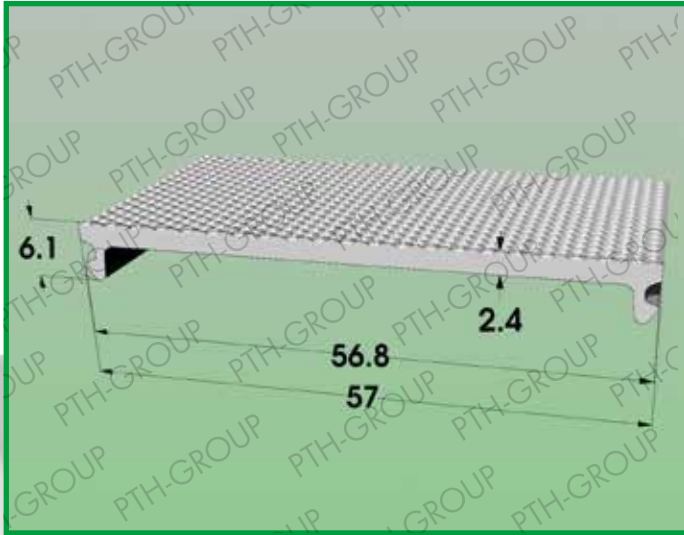
**Profile 1010.185**  
**Material: POLYCARBONATE**



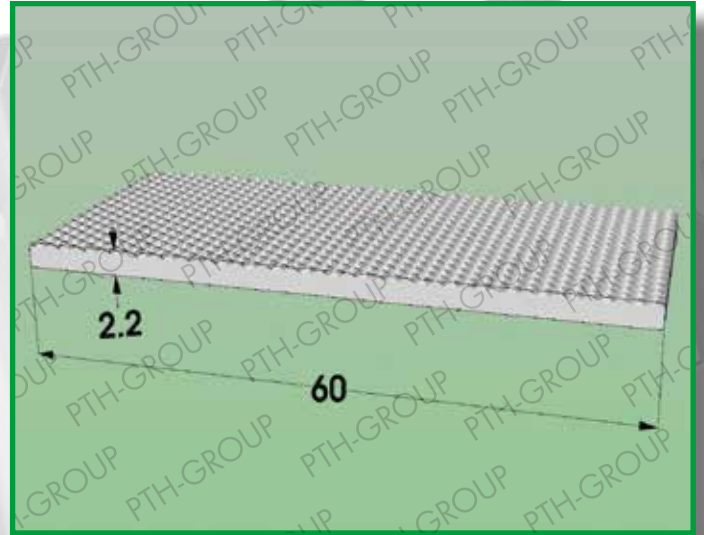


# MICRO PRISMATIC PROFILES

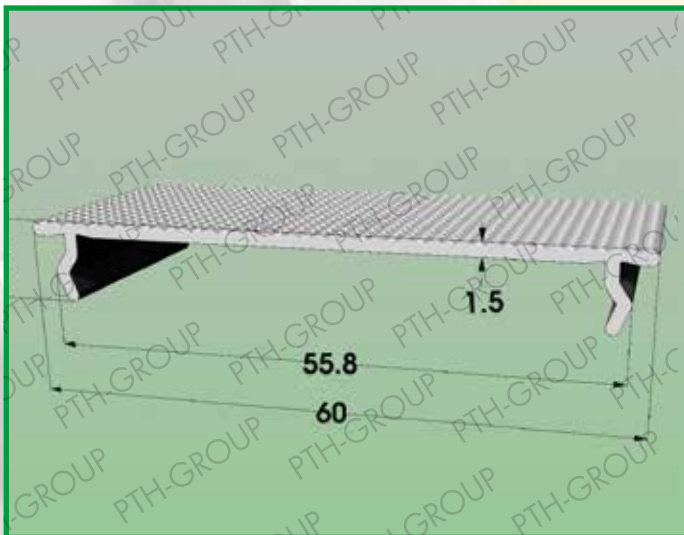
**Profile 1010.147**  
**Material: POLYCARBONATE**



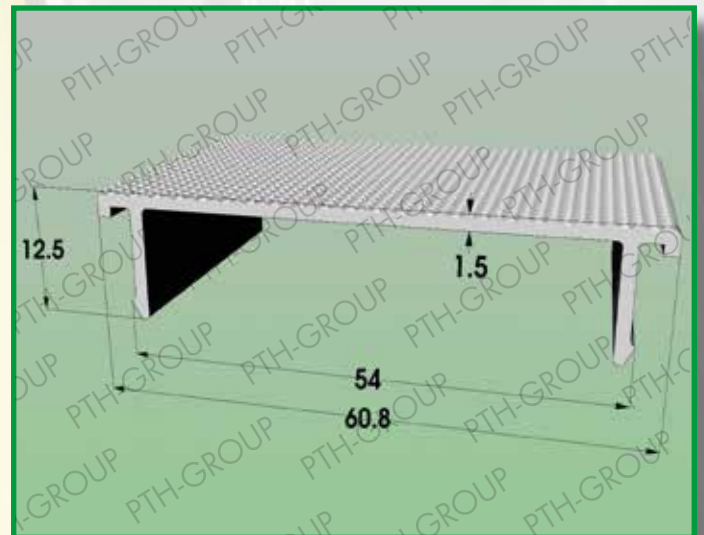
**Profile 1010.331**  
**Material: POLYCARBONATE**



**Profile 1010.322**  
**Material: POLYCARBONATE**

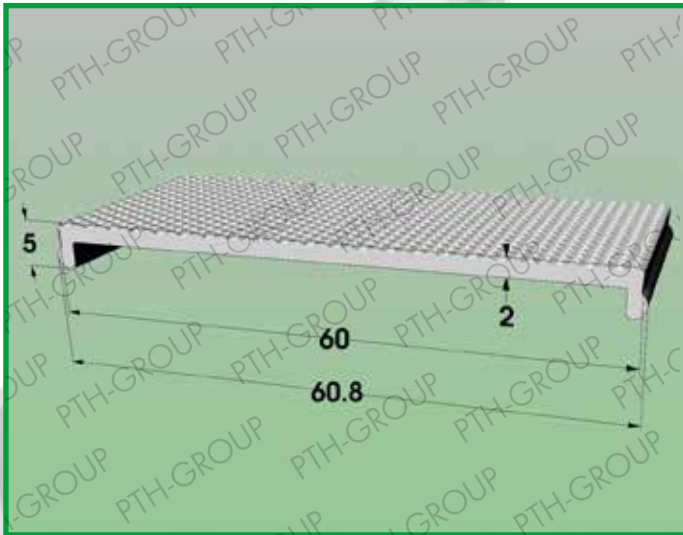


**Profile 1010.407**  
**Material: POLYCARBONATE**

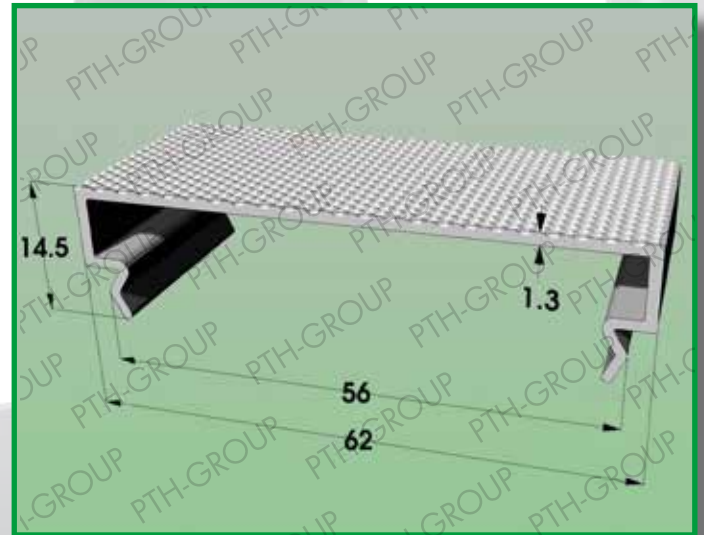


# MICRO PRISMATIC PROFILES

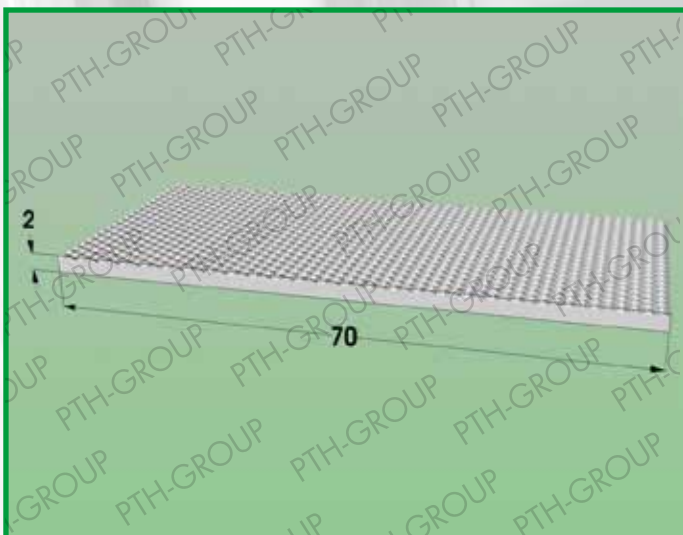
**Profile 1010.298**  
**Material: POLYCARBONATE**



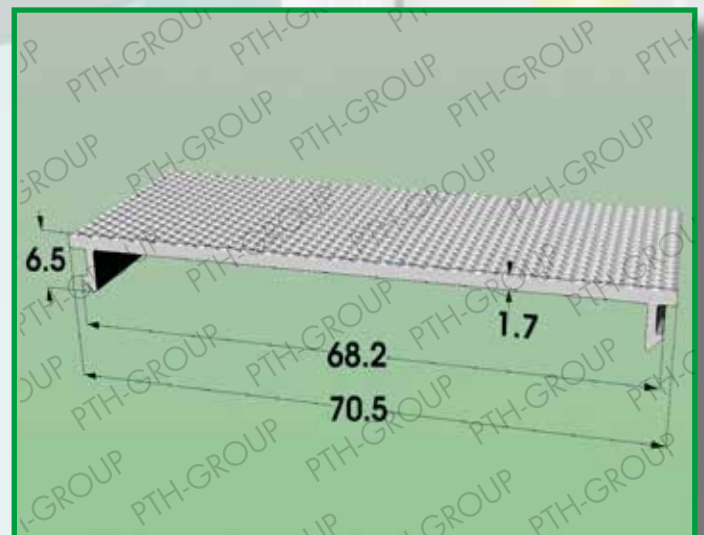
**Profile 1010.196**  
**Material: POLYCARBONATE**



**Profile 1010.383**  
**Material: POLYCARBONATE**

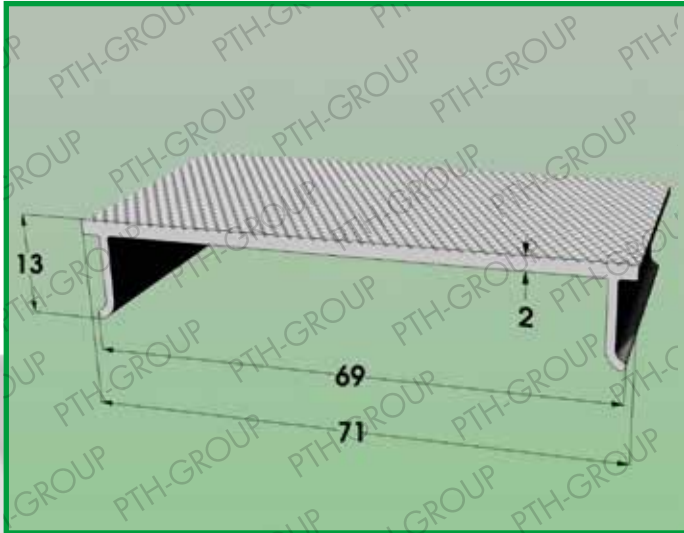


**Profile 1010.277**  
**Material: POLYCARBONATE**

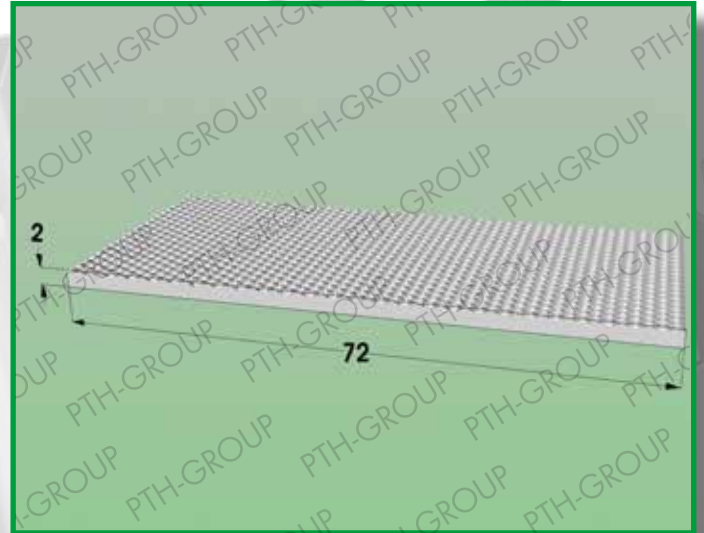


# MICRO PRISMATIC PROFILES

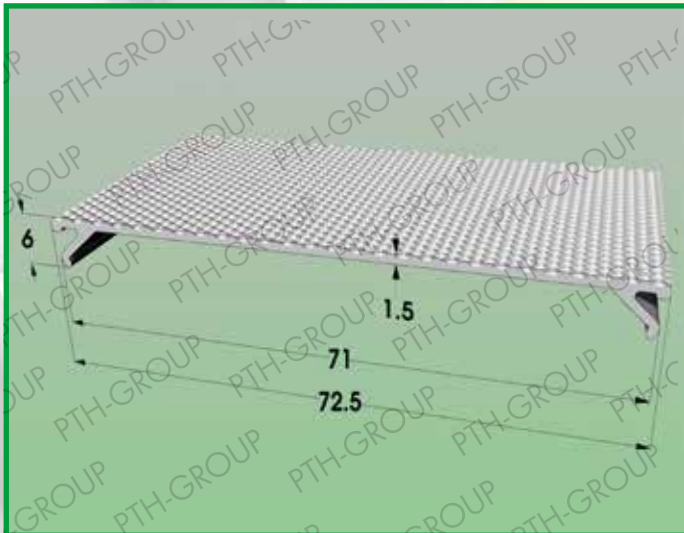
**Profile 1010.243**  
**Material: POLYCARBONATE**



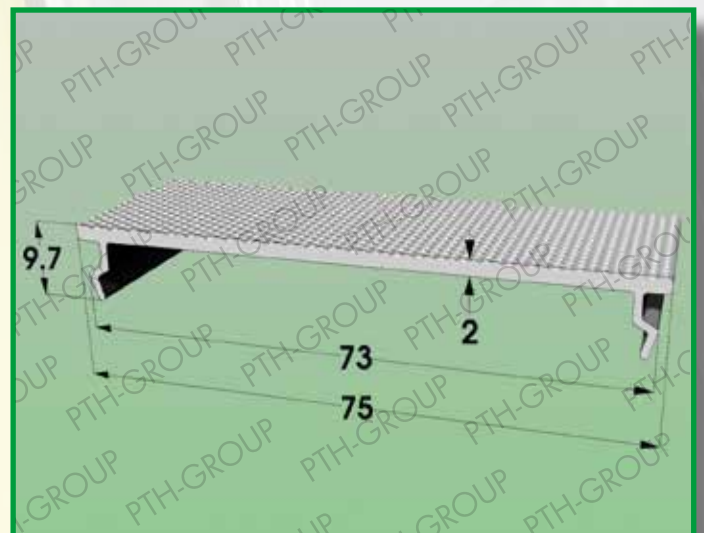
**Profile 1010.384**  
**Material: POLYCARBONATE**



**Profile 1010.27**  
**Material: POLYCARBONATE**



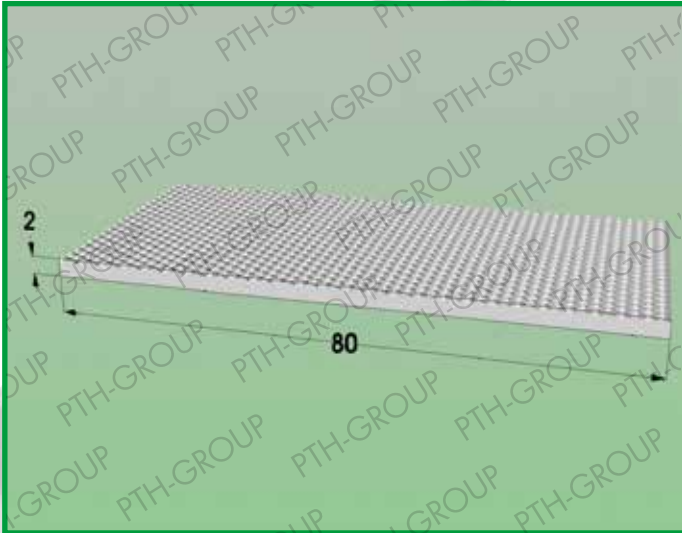
**Profile 1010.361**  
**Material: POLYCARBONATE**



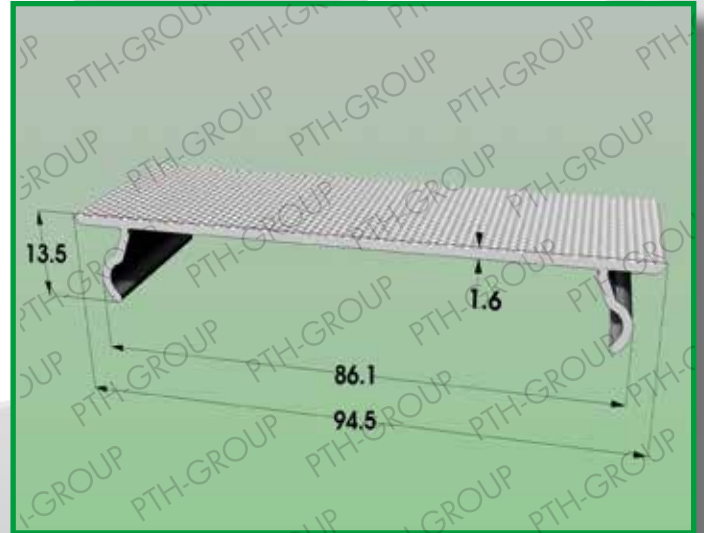


# MICRO PRISMATIC PROFILES

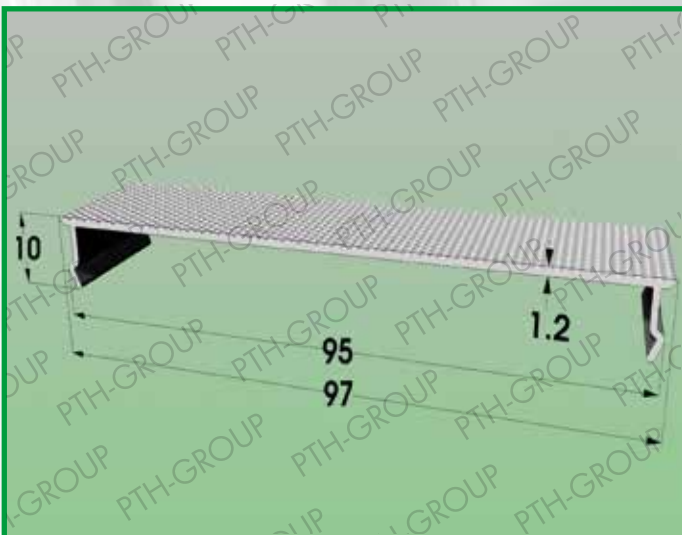
**Profile 1010.385**  
**Material: POLYCARBONATE**



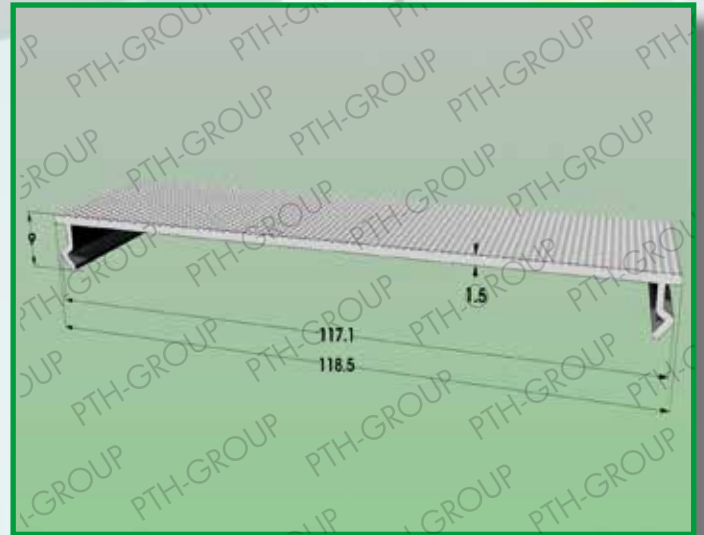
**Profile 1010.61**  
**Material: POLYCARBONATE**



**Profile 1010.212**  
**Material: POLYCARBONATE**

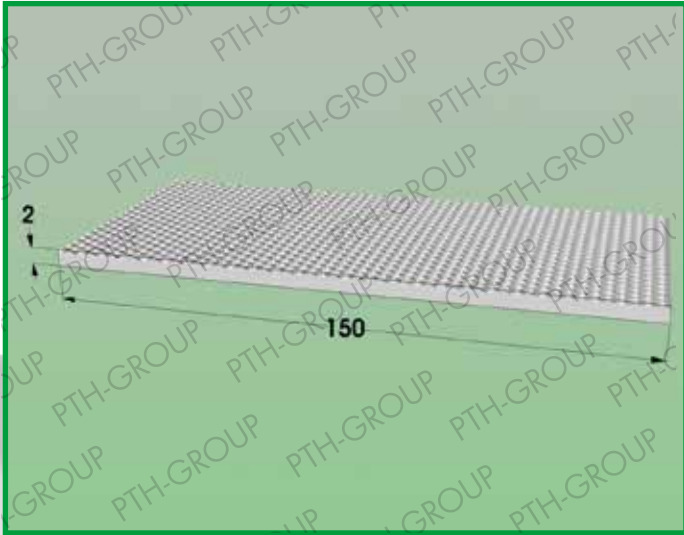


**Profile 1010.417**  
**Material: POLYCARBONATE**

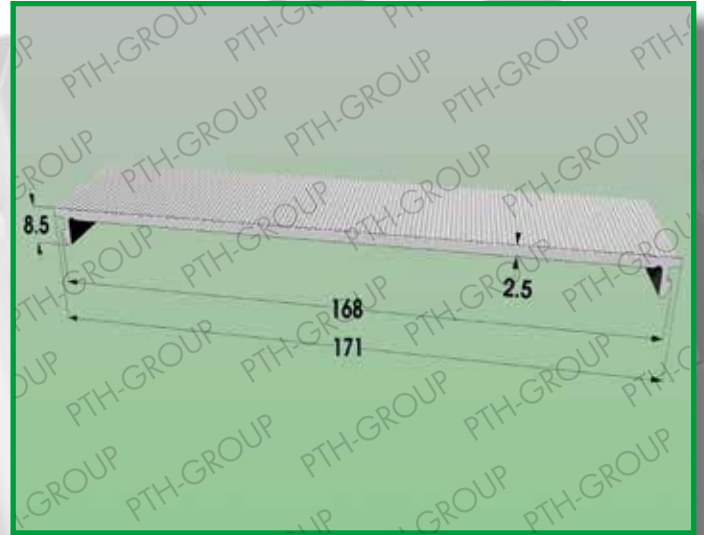


# MICRO PRISMATIC PROFILES

**Profile 1010.395**  
**Material: POLYCARBONATE**



**Profile 1010.38**  
**Material: POLYCARBONATE**



## MICRO PRISMATIC PROFILES







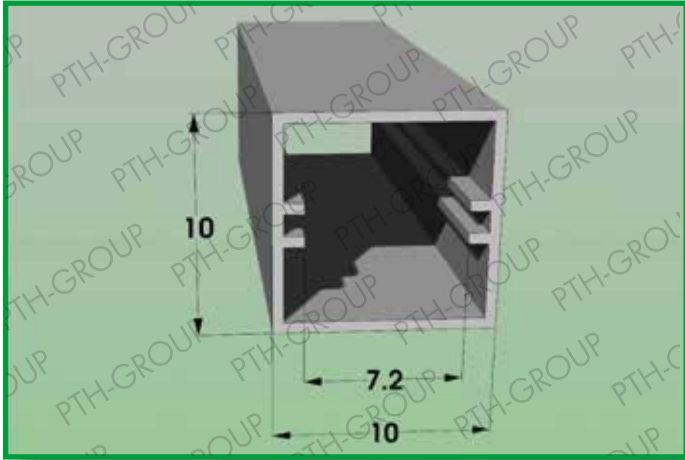
# CLOSED SECTIONS



# CLOSED SECTIONS

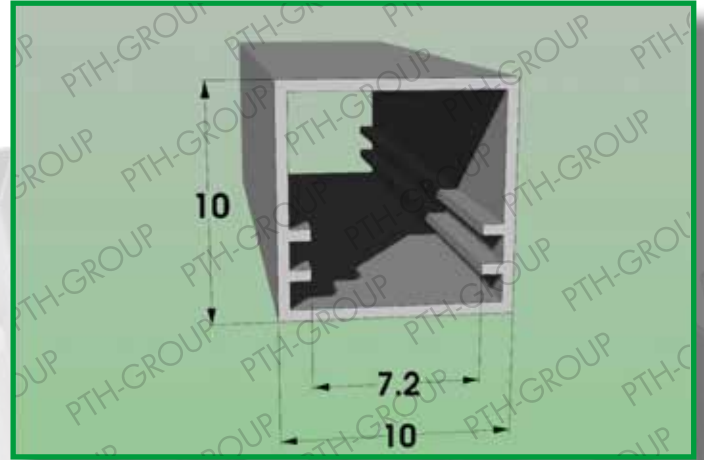
**Profile 1010.116**

**Material: POLYCARBONATE CLEAR / OPAL**



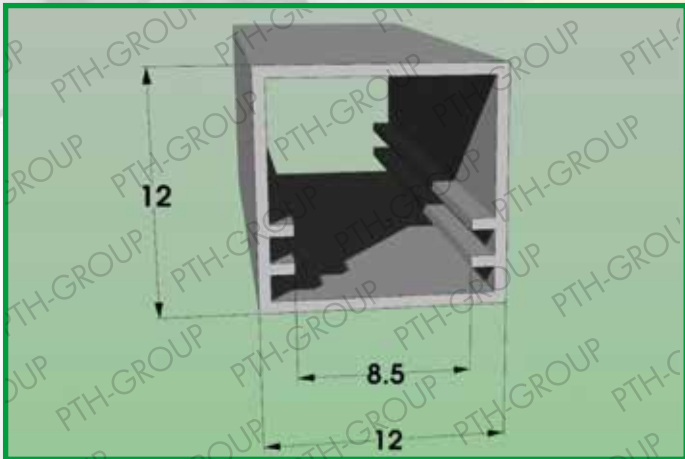
**Profile 1010.198**

**Material: POLYCARBONATE CLEAR / OPAL**



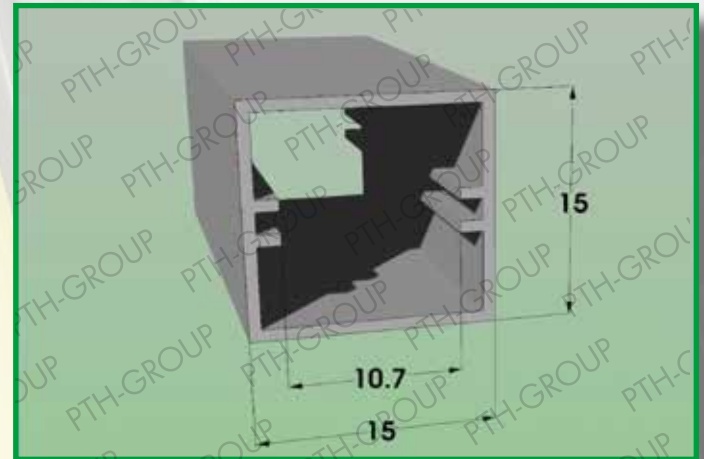
**Profile 1010.214**

**Material: POLYCARBONATE CLEAR / OPAL**



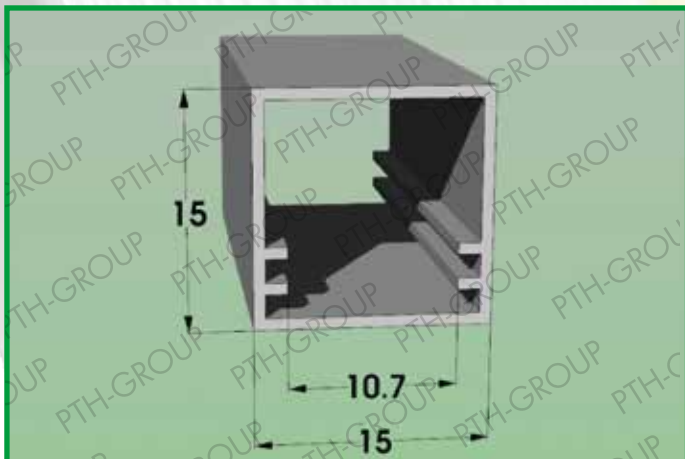
**Profile 1010.117**

**Material: POLYCARBONATE CLEAR / OPAL**



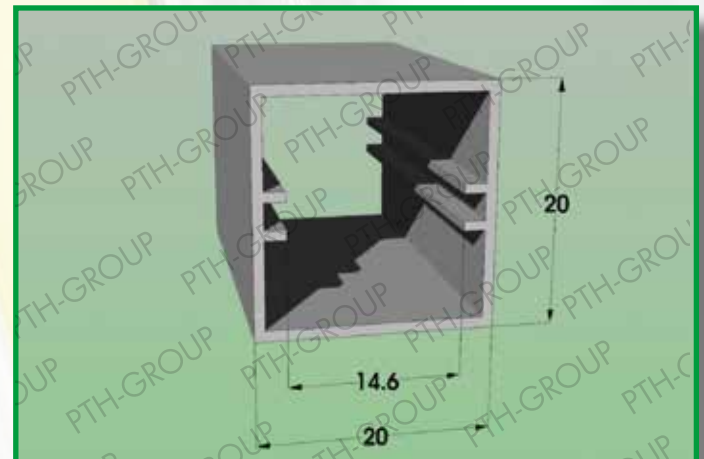
**Profile 1010.200**

**Material: POLYCARBONATE CLEAR / OPAL**



**Profile 1010.118**

**Material: POLYCARBONATE CLEAR / OPAL**

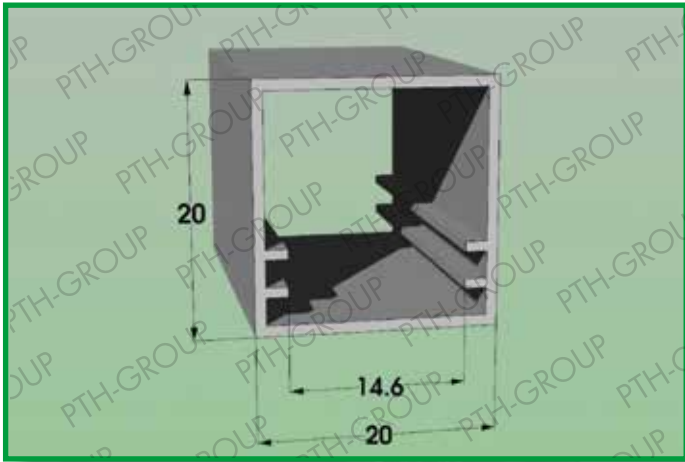




## CLOSED SECTIONS

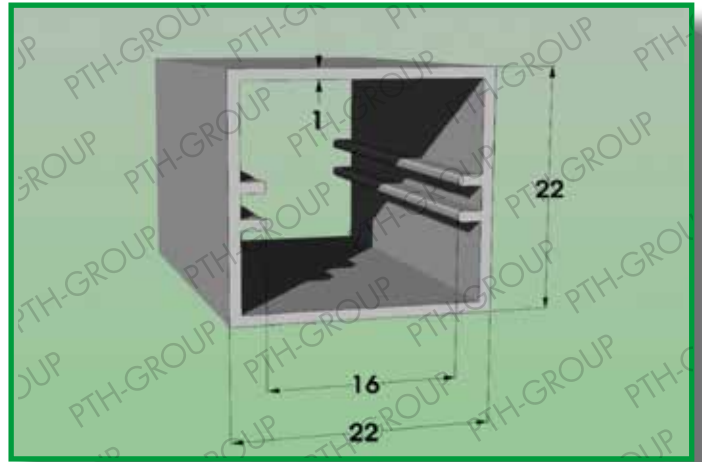
**Profile 1010.201**

**Material: POLYCARBONATE CLEAR / OPAL**



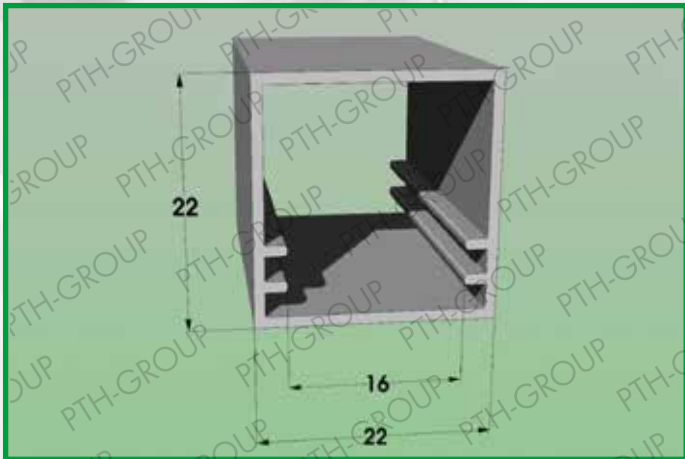
**Profile 1010.57**

**Material: POLYCARBONATE CLEAR / OPAL**



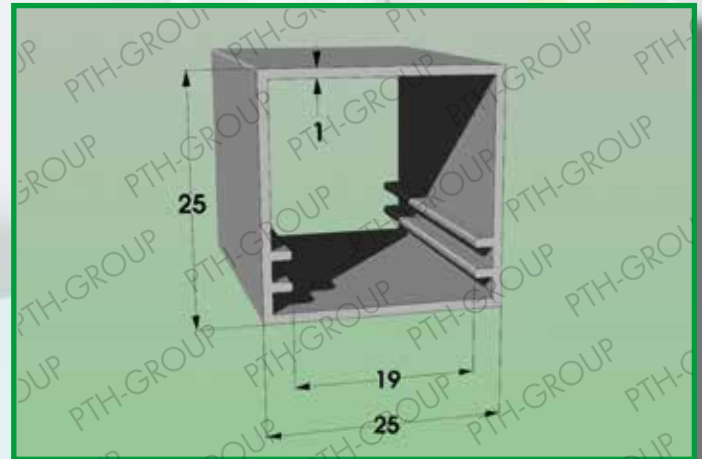
**Profile 1010.199**

**Material: POLYCARBONATE CLEAR / OPAL**



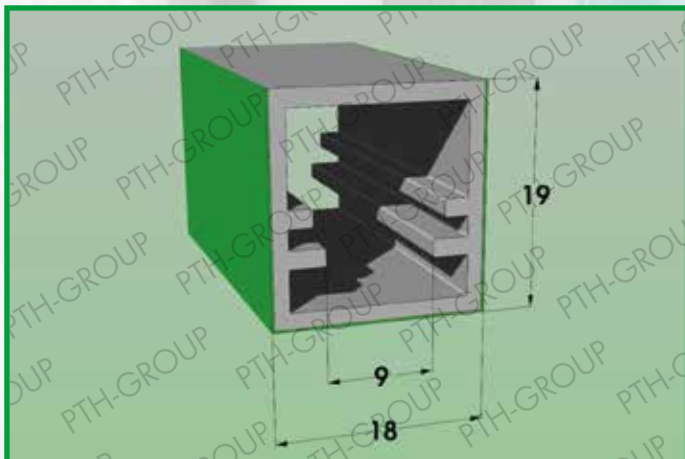
**Profile 1010.245**

**Material: POLYCARBONATE CLEAR / OPAL**



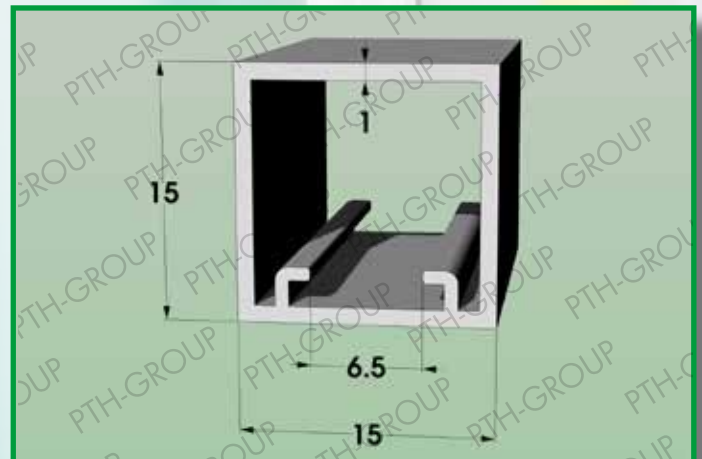
**Profile 1010.227**

**Material: POLYCARBONATE CLEAR / OPAL / SATIN SBB**



**Profile 1010.515**

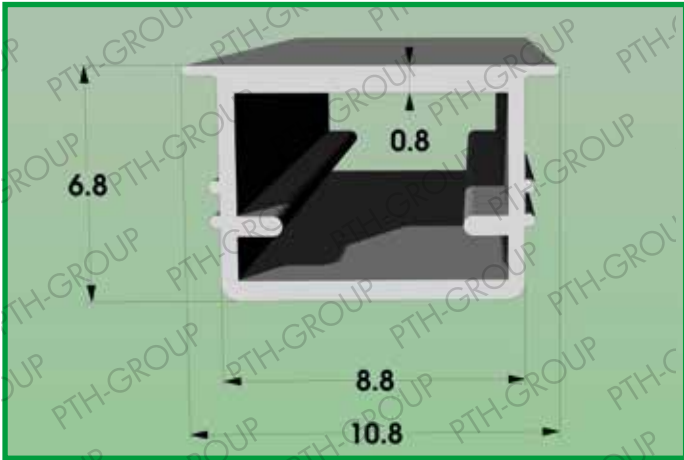
**Material: POLYCARBONATE CLEAR / OPAL**



## CLOSED SECTIONS

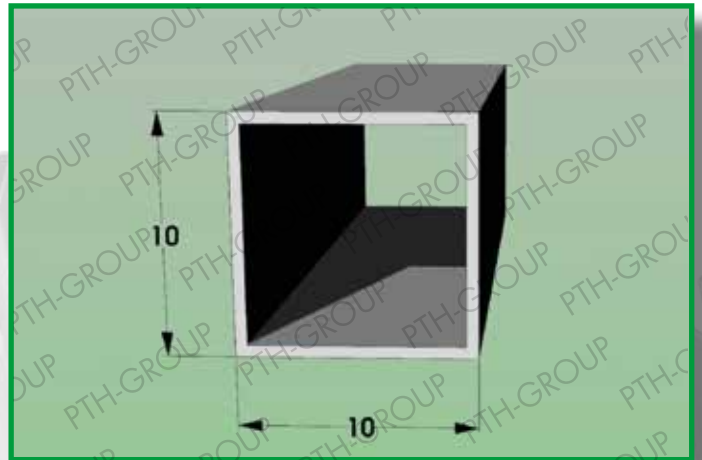
**Profile 1010.446**

**Material: POLYCARBONATE CLEAR / OPAL**



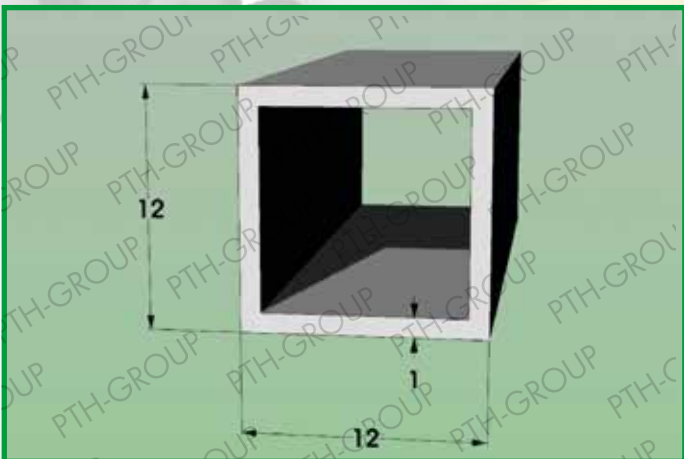
**Profile 1010.33**

**Material: POLYCARBONATE CLEAR / OPAL**



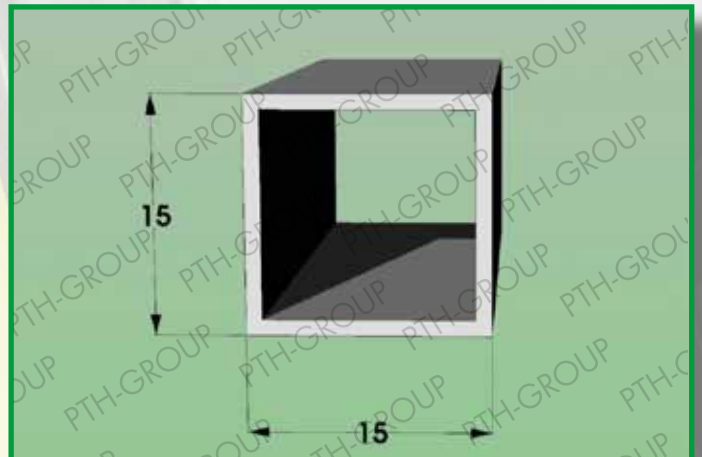
**Profile 1010.130**

**Material: POLYCARBONATE CLEAR / OPAL**



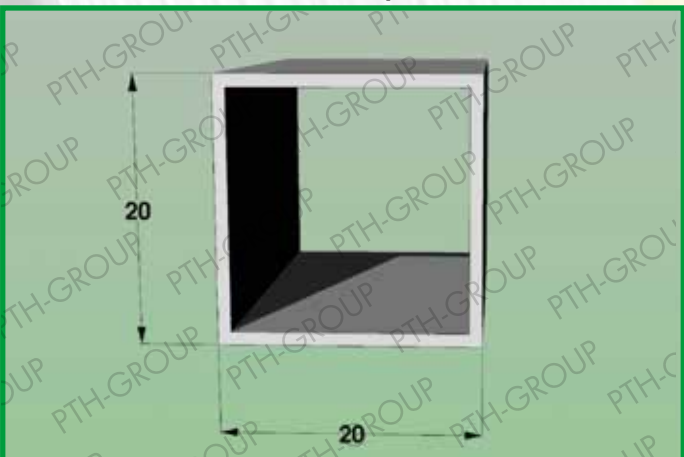
**Profile 1010.34**

**Material: POLYCARBONATE CLEAR / OPAL  
PMMA SATIN**



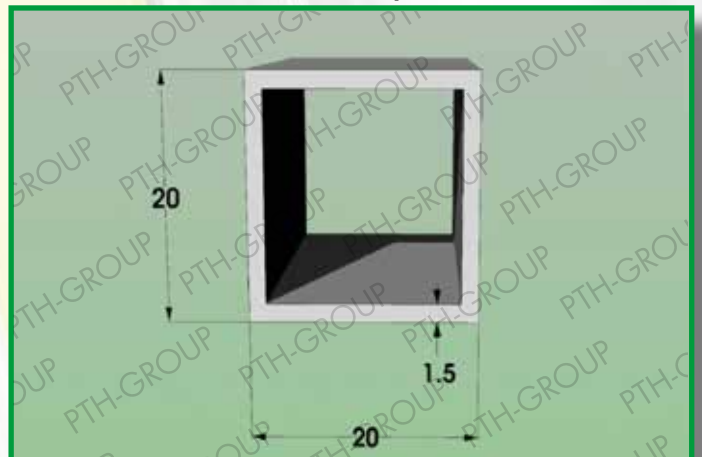
**Profile 1010.35**

**Material: POLYCARBONATE CLEAR / OPAL  
PMMA CLEAR / SATIN**



**Profile 1010.67**

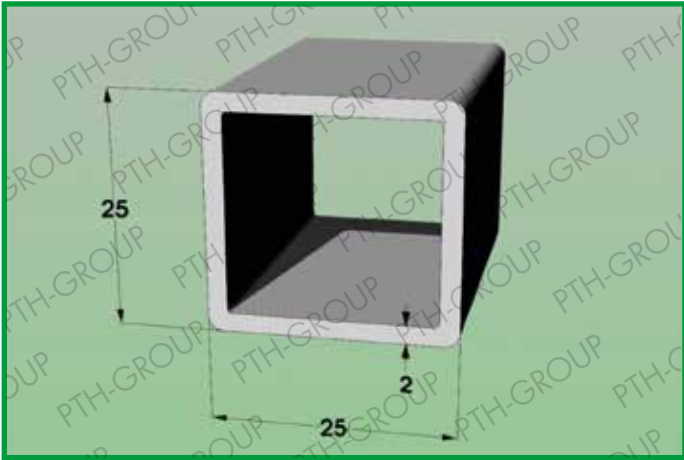
**Material: POLYCARBONATE CLEAR / OPAL  
PMMA CLEAR / SATIN**



## CLOSED SECTIONS

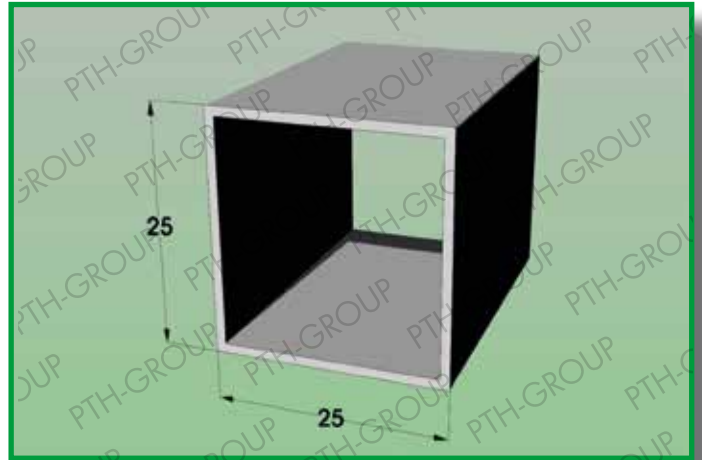
**Profile 1010.108**

**Material: POLYCARBONATE CLEAR / OPAL  
PMMA CLEAR / SATIN**



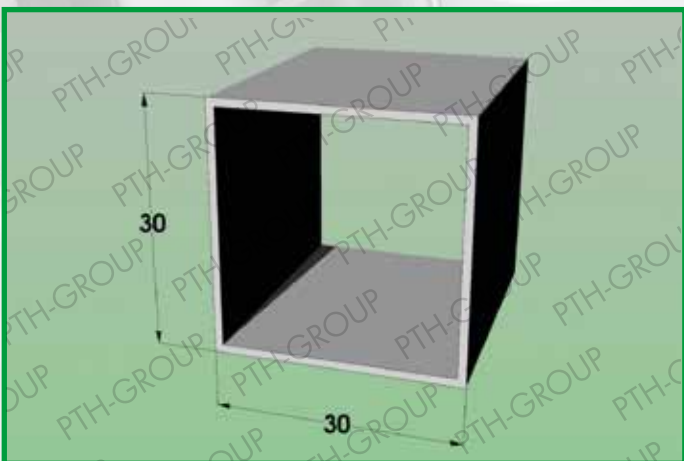
**Profile 1010.195**

**Material: POLYCARBONATE CLEAR / OPAL  
PMMA CLEAR / SATIN**



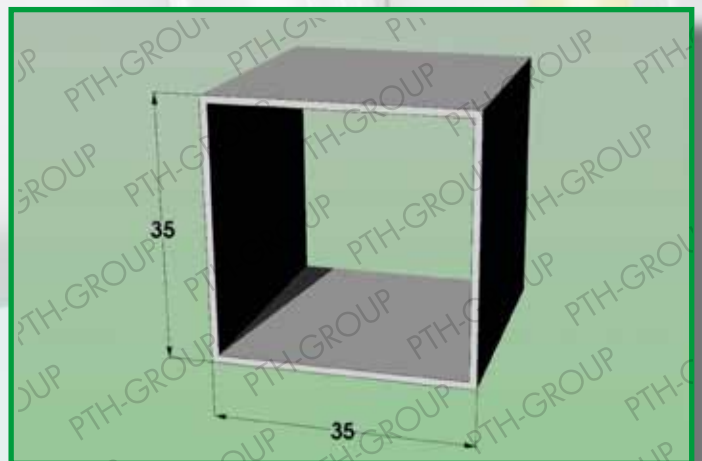
**Profile 1010.194**

**Material: POLYCARBONATE CLEAR / OPAL**



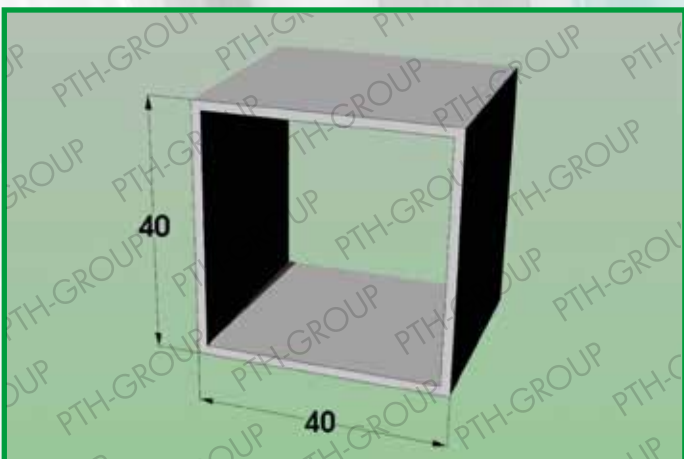
**Profile 1010.193**

**Material: POLYCARBONATE CLEAR / OPAL**



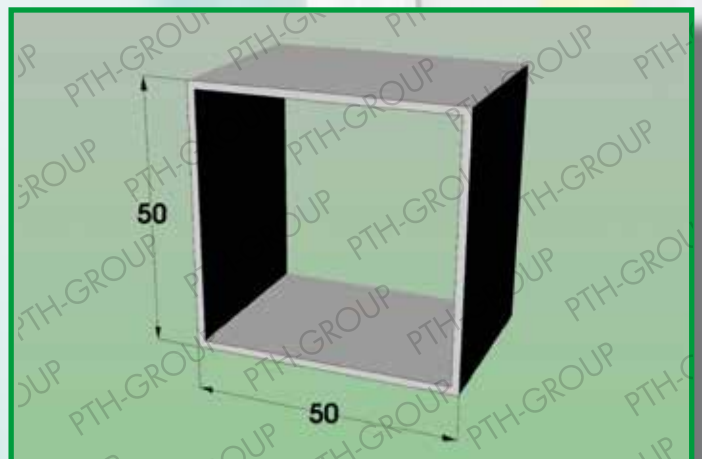
**Profile 1010.192**

**Material: POLYCARBONATE CLEAR / OPAL**



**Profile 1010.191**

**Material: POLYCARBONATE CLEAR / OPAL**

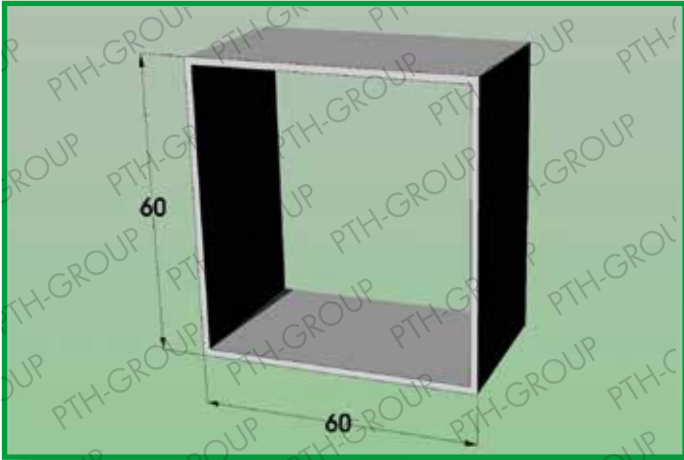




# CLOSED SECTIONS

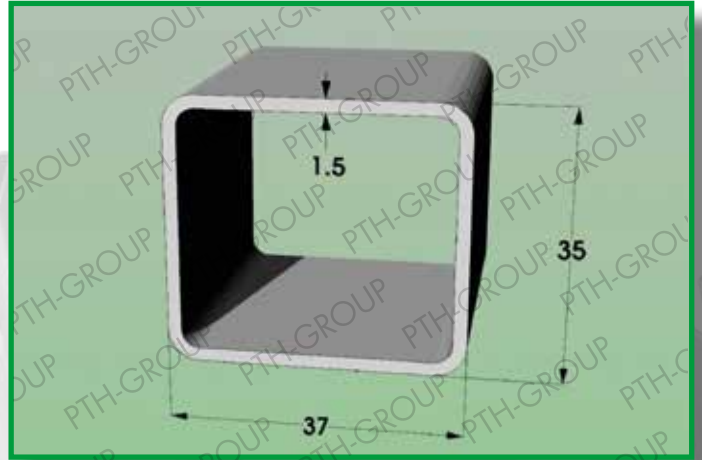
**Profile 1010.190**

**Material: POLYCARBONATE CLEAR / OPAL**



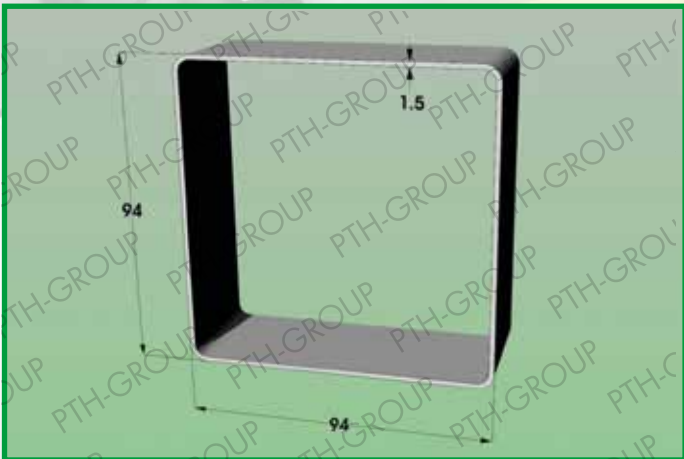
**Profile 1010.22**

**Material: POLYCARBONATE CLEAR / OPAL**



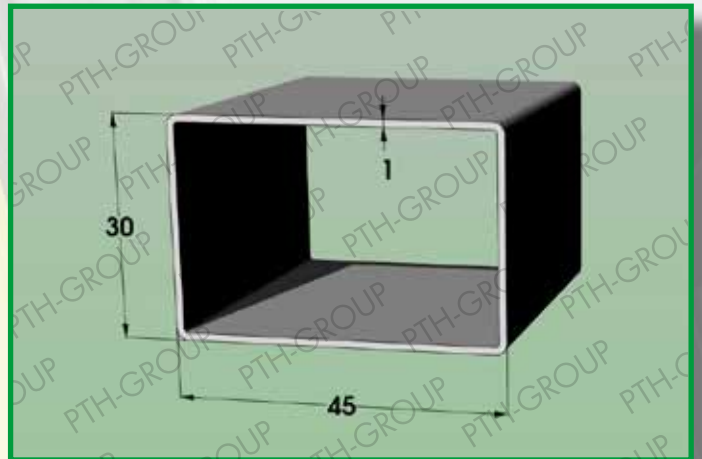
**Profile 1010.58**

**Material: PMMA SATIN**



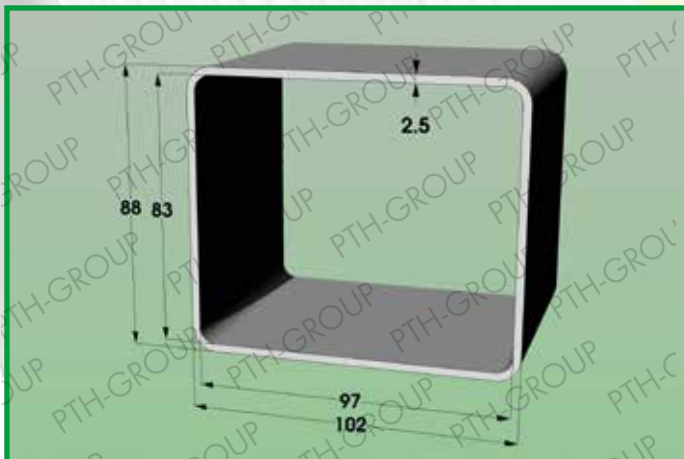
**Profile 1010.474**

**Material: POLYCARBONATE CLEAR / OPAL  
PMMA SATIN**



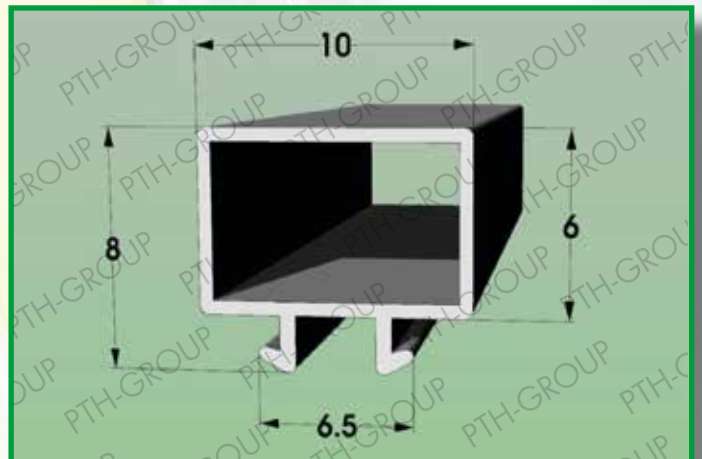
**Profile 1010.510**

**Material: POLYCARBONATE CLEAR / OPAL  
PMMA SATIN**



**Profile 1010.21**

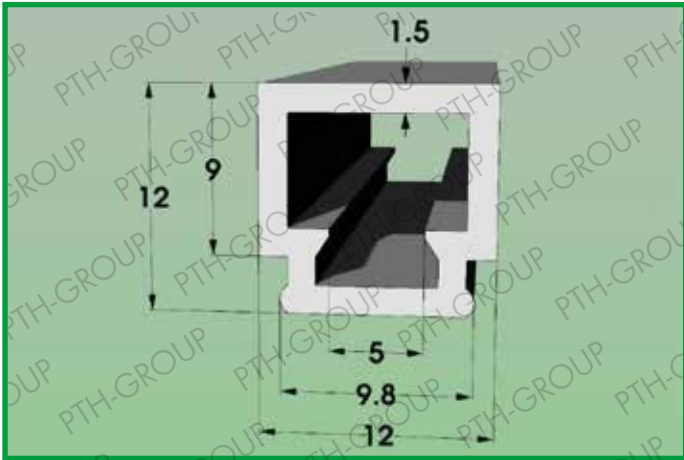
**Material: POLYCARBONATE CLEAR / OPAL**



## CLOSED SECTIONS

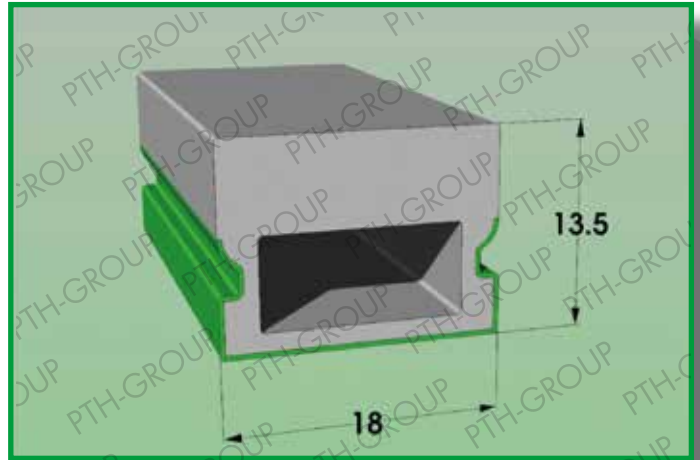
**Profile 1010.398**

**Material: POLYCARBONATE CLEAR / OPAL**



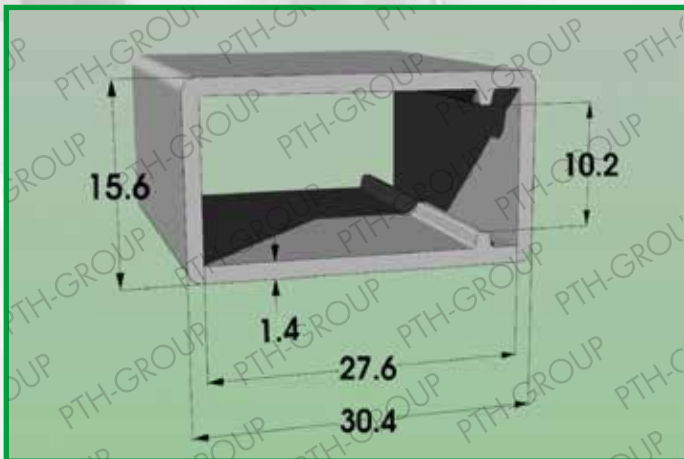
**Profile 1010.251**

**Material: POLYCARBONATE CLEAR / OPAL / SATIN SBB  
PMMA CLEAR / SATIN SBB**



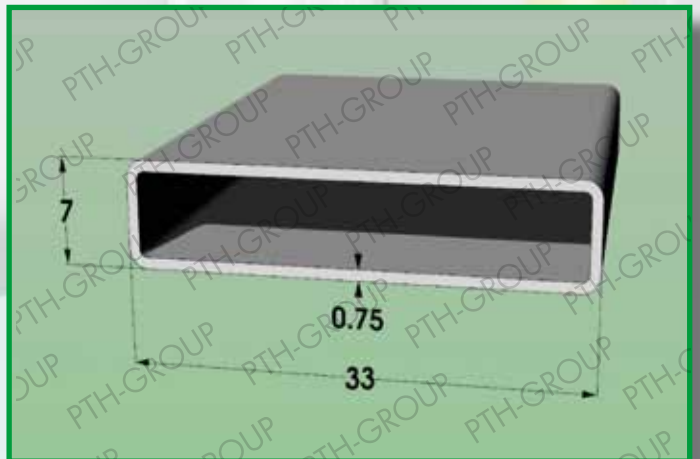
**Profile 1010.334**

**Material: POLYCARBONATE CLEAR / OPAL**



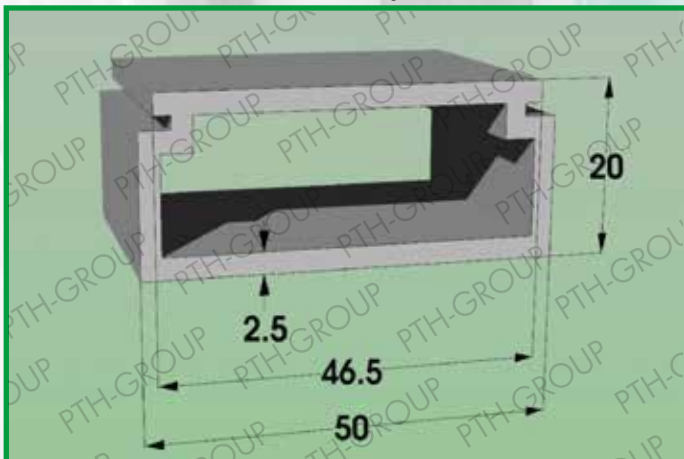
**Profile 1010.93**

**Material: POLYCARBONATE CLEAR / OPAL**



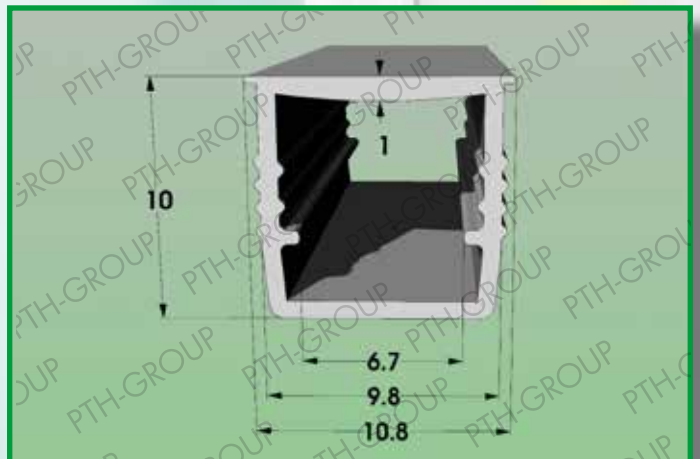
**Profile 1010.352**

**Material: POLYCARBONATE CLEAR / OPAL  
PMMA CLEAR / SATIN**



**Profile 1010.400**

**Material: POLYCARBONATE CLEAR / OPAL / SATIN SBB**

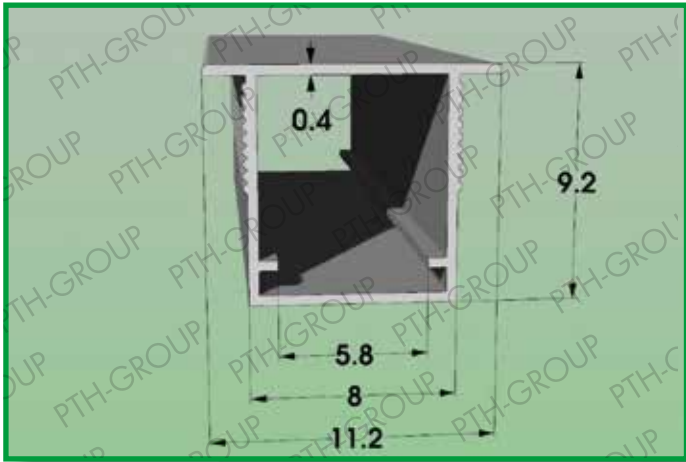




# CLOSED SECTIONS

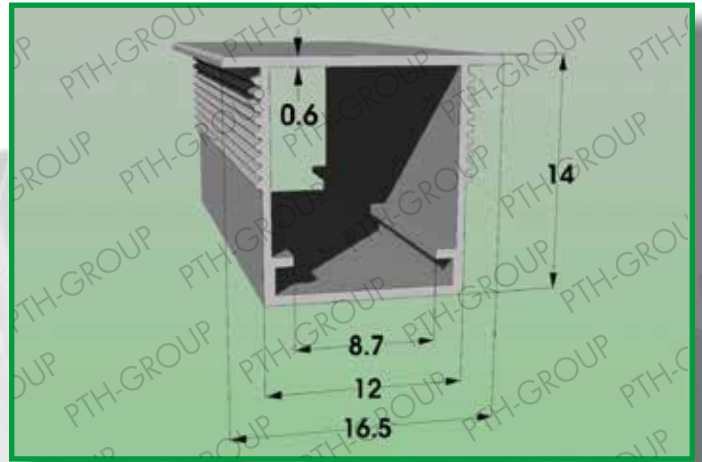
**Profile 1010.381**

**Material: POLYCARBONATE CLEAR / OPAL / SATIN SBB**



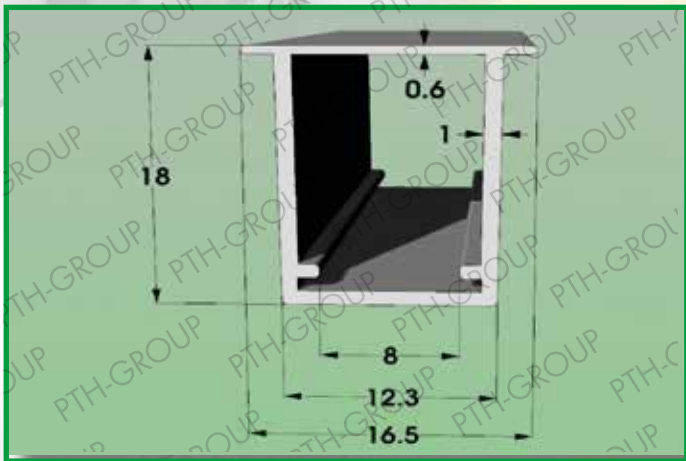
**Profile 1010.373**

**Material: POLYCARBONATE CLEAR / OPAL**



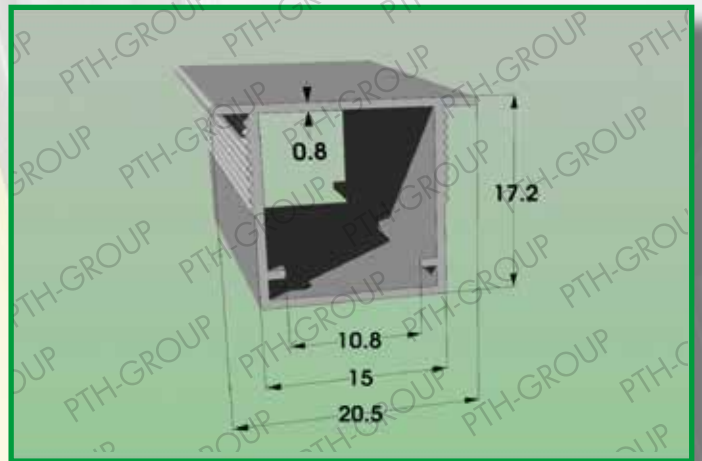
**Profile 1010.409**

**Material: POLYCARBONATE CLEAR / OPAL**



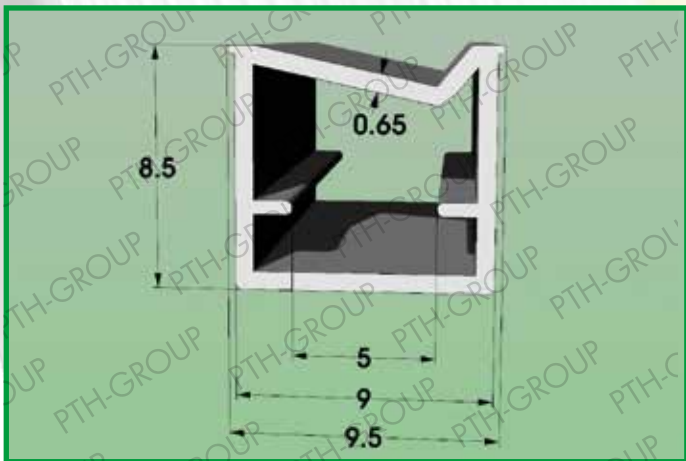
**Profile 1010.374**

**Material: POLYCARBONATE CLEAR / OPAL**



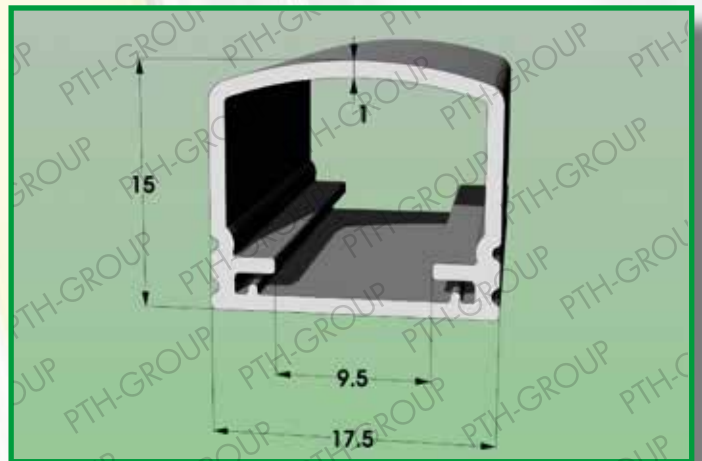
**Profile 1010.432**

**Material: POLYCARBONATE CLEAR / OPAL**



**Profile 1010.508**

**Material: POLYCARBONATE CLEAR / OPAL**

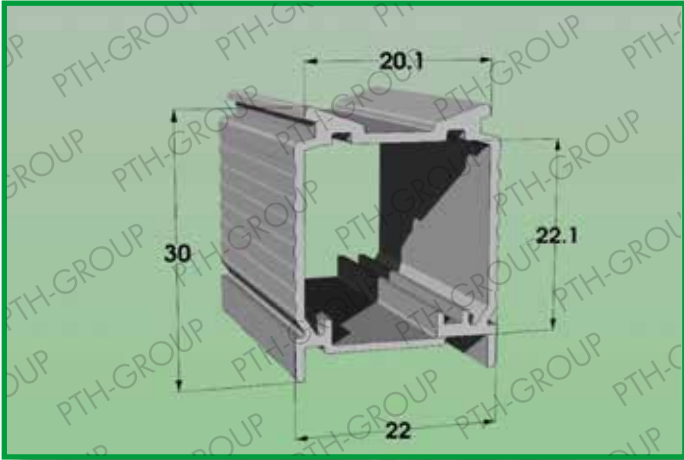




# CLOSED SECTIONS

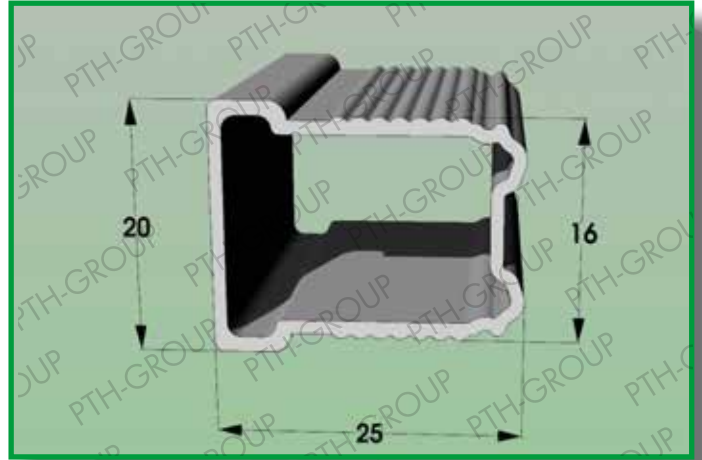
**Profile 1010.64**

**Material: POLYCARBONATE CLEAR / OPAL**



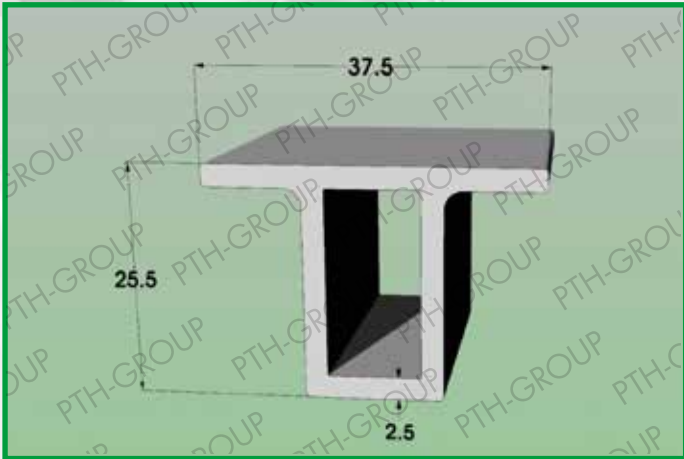
**Profile 1010.01**

**Material: POLYCARBONATE CLEAR / OPAL**



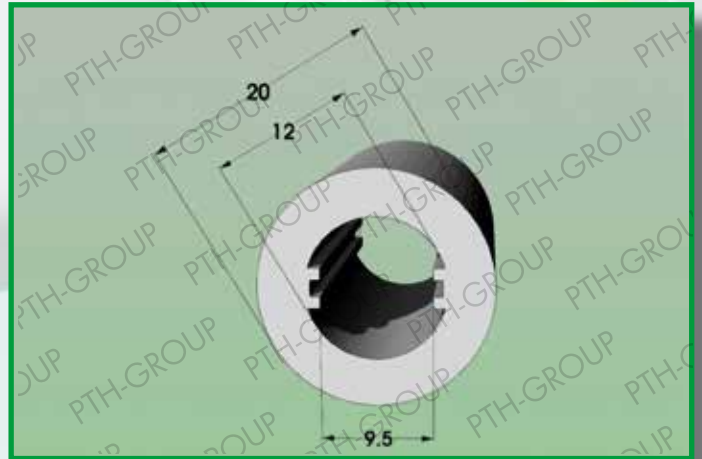
**Profile 1010.114**

**Material: POLYCARBONATE CLEAR / OPAL**



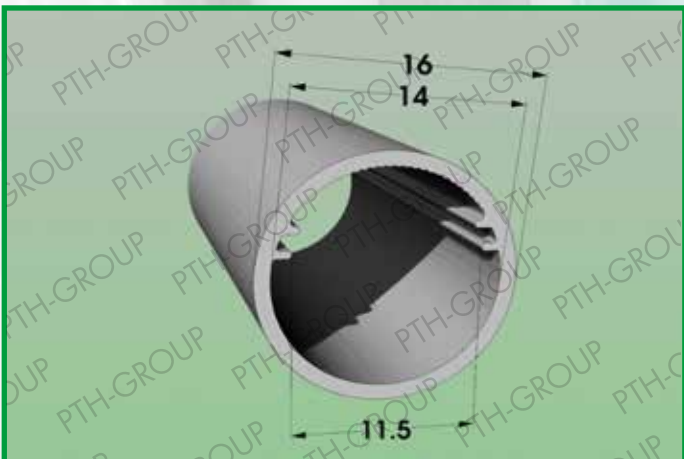
**Profile 1010.84**

**Material: POLYCARBONATE CLEAR / OPAL**



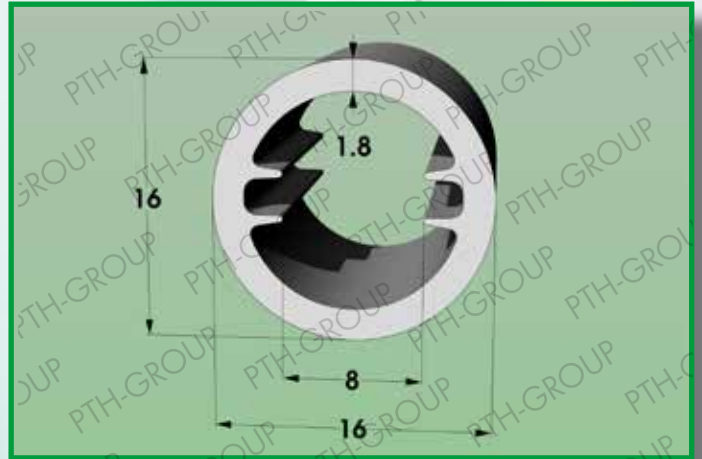
**Profile 1010.148**

**Material: POLYCARBONATE CLEAR / OPAL**



**Profile 1010.470**

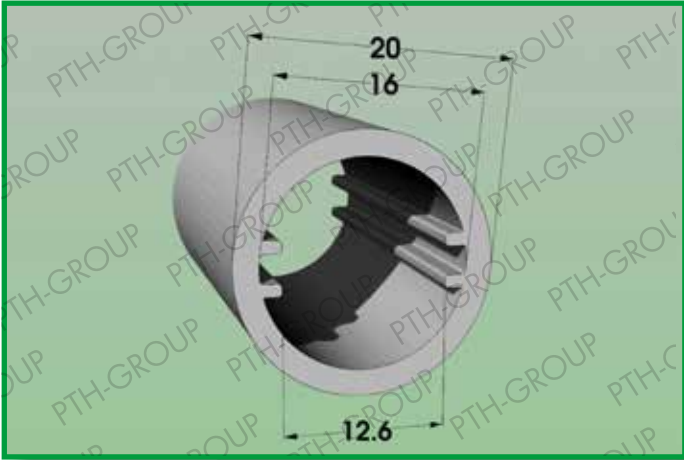
**Material: POLYCARBONATE CLEAR / OPAL**



# CLOSED SECTIONS

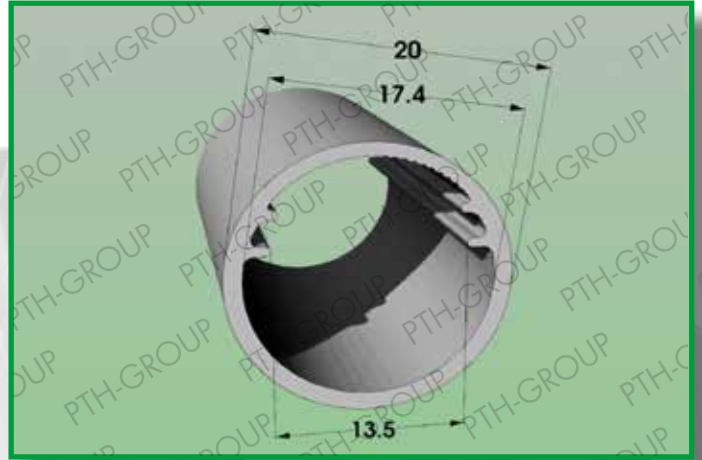
**Profile 1010.283**

**Material: POLYCARBONATE CLEAR / OPAL**



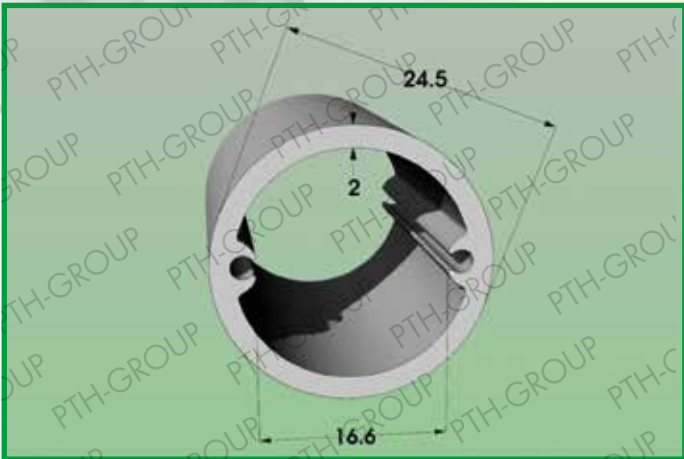
**Profile 1010.262**

**Material: POLYCARBONATE CLEAR / OPAL**



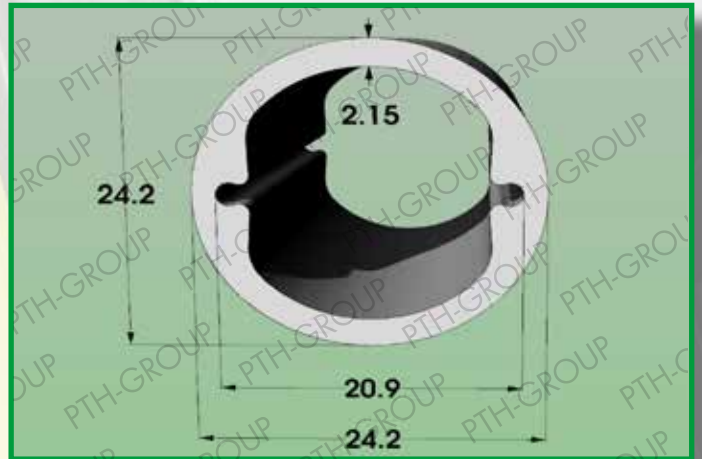
**Profile 1010.250**

**Material: POLYCARBONATE CLEAR / OPAL**



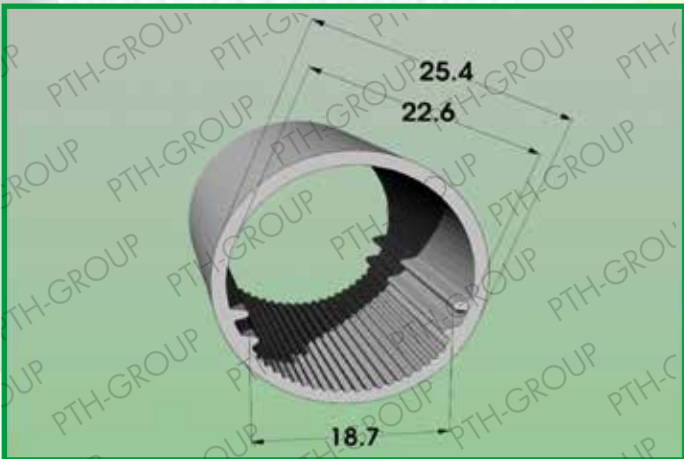
**Profile 1010.416**

**Material: POLYCARBONATE CLEAR / OPAL**



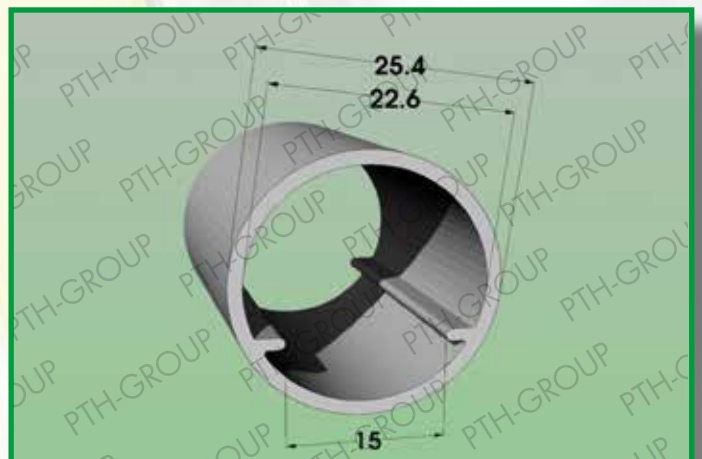
**Profile 1010.59**

**Material: POLYCARBONATE CLEAR / OPAL**



**Profile 1010.145**

**Material: POLYCARBONATE CLEAR / OPAL**

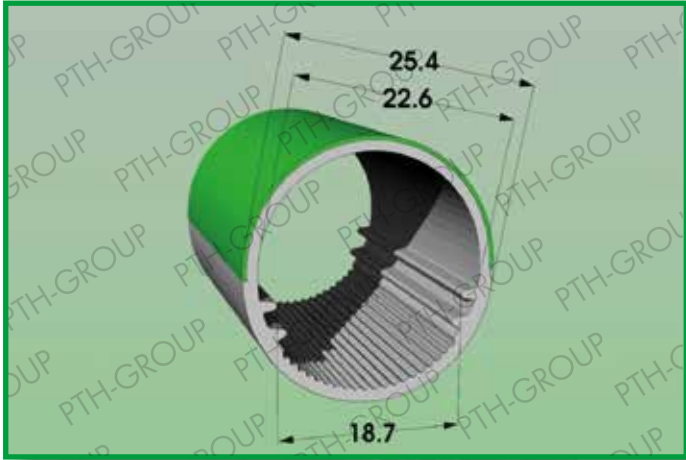




# CLOSED SECTIONS

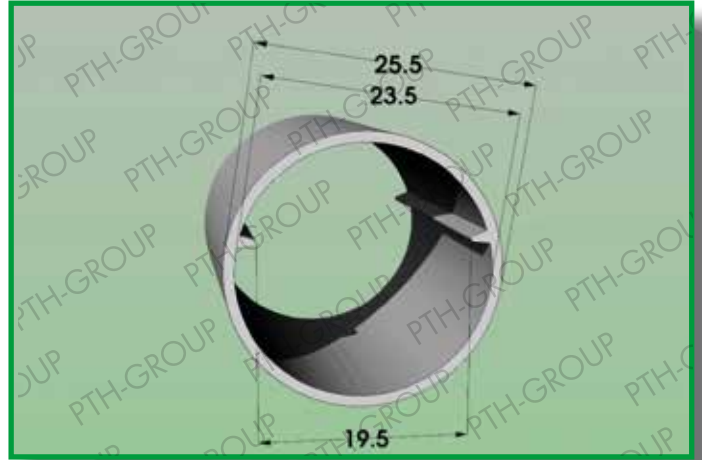
**Profile 1010.99**

**Material: POLYCARBONATE HALF CLEAR/WHITE**



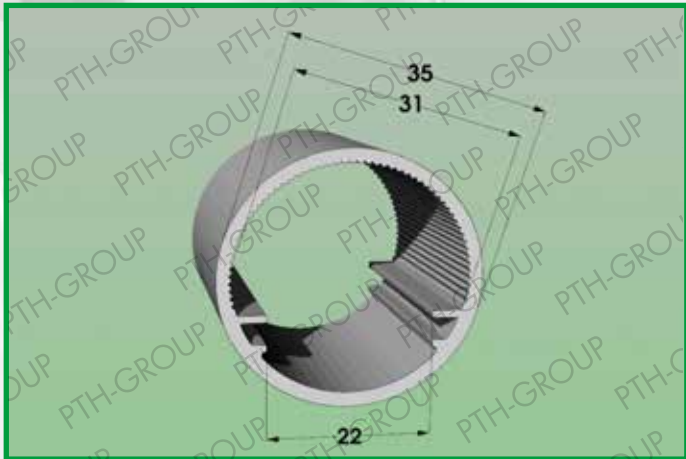
**Profile 1010.254**

**Material: POLYCARBONATE CLEAR / OPAL**



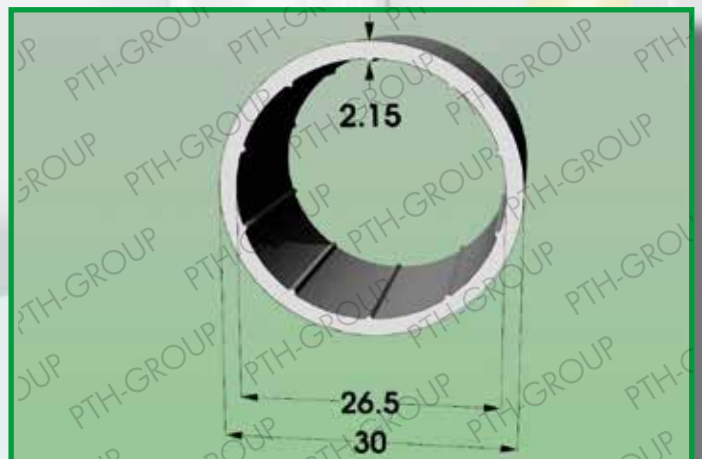
**Profile 1010.221**

**Material: POLYCARBONATE CLEAR / OPAL**



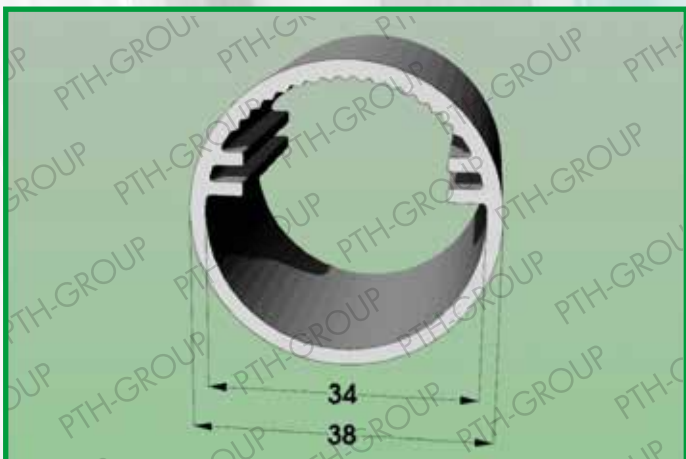
**Profile 1010.152**

**Material: POLYCARBONATE**



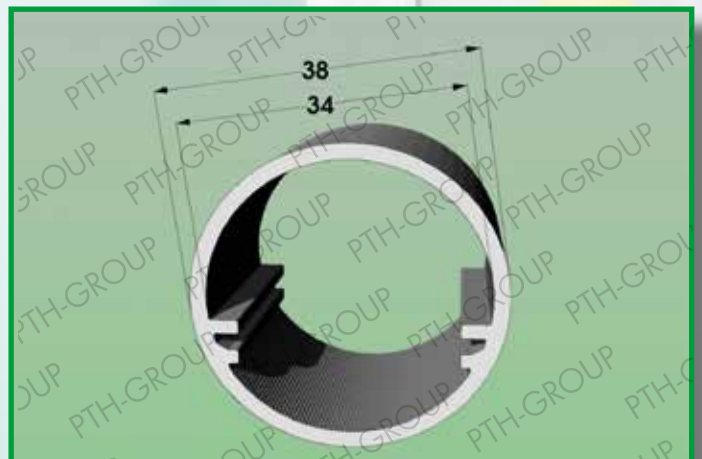
**Profile 1010.45**

**Material: POLYCARBONATE CLEAR / OPAL**



**Profile 1010.53**

**Material: POLYCARBONATE CLEAR / OPAL**

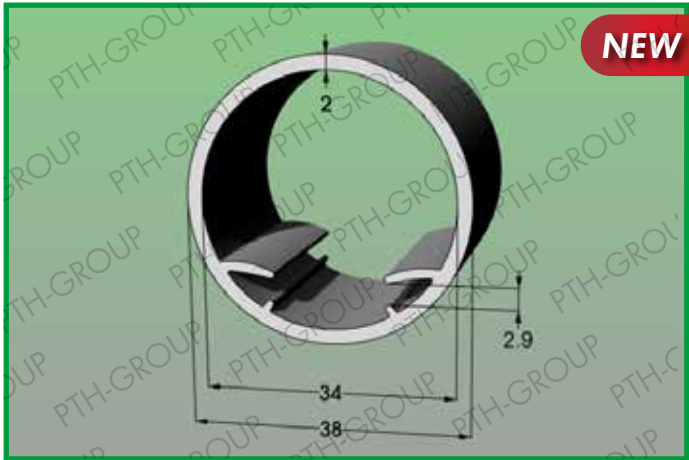




## CLOSED SECTIONS

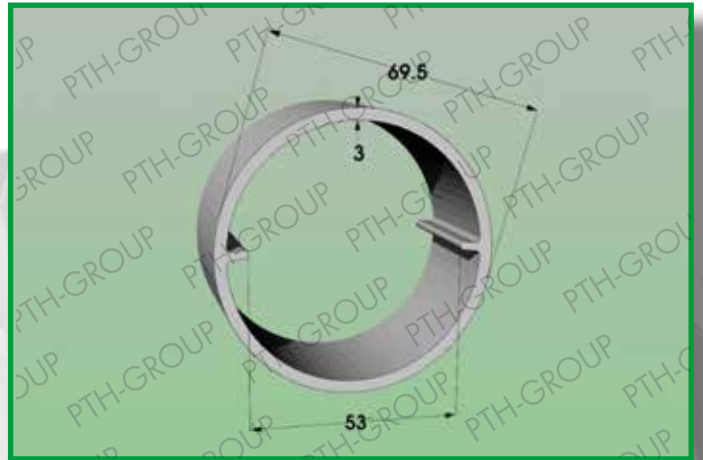
**Profile 1010.540**

**Material: POLYCARBONATE CLEAR / OPAL  
PMMA SATIN**



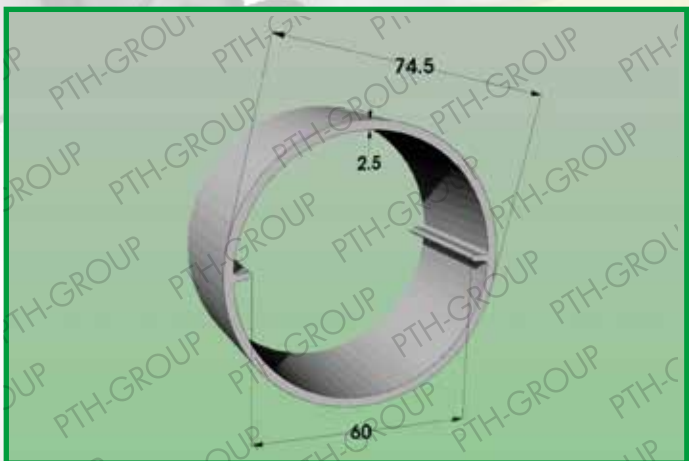
**Profile 1010.248**

**Material: POLYCARBONATE CLEAR / OPAL**



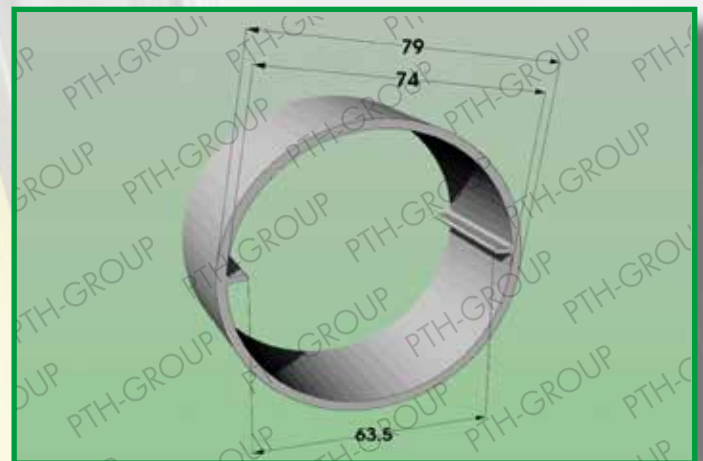
**Profile 1010.244**

**Material: POLYCARBONATE CLEAR / OPAL**



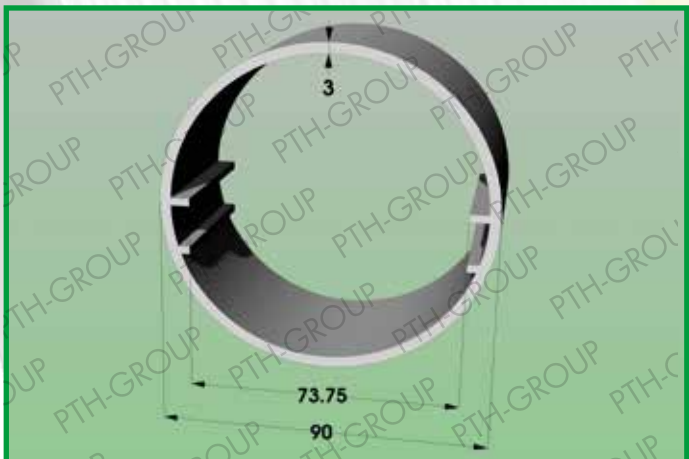
**Profile 1010.249**

**Material: POLYCARBONATE CLEAR / OPAL**



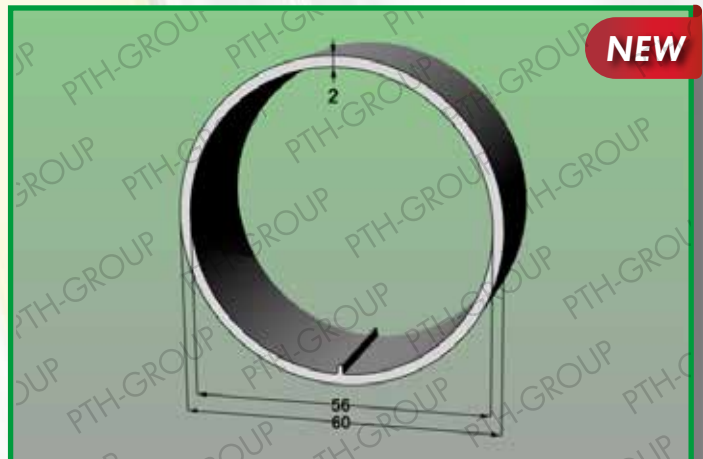
**Profile 1010.476**

**Material: POLYCARBONATE CLEAR / OPAL  
PMMA SATIN**



**Profile 1010.530**

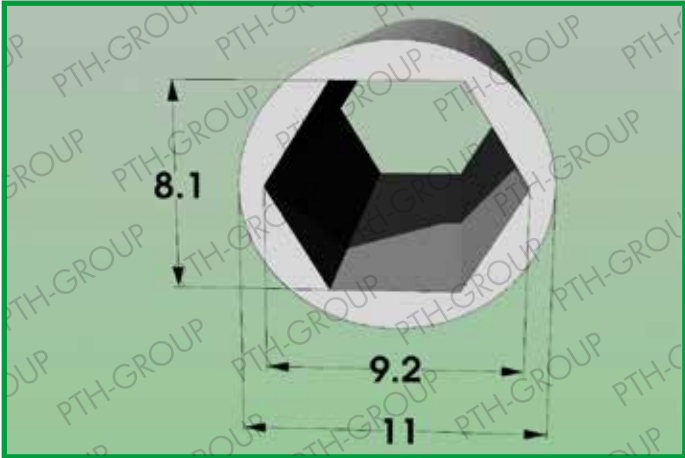
**Material: POLYCARBONATE CLEAR / OPAL  
PMMA SATIN**



# CLOSED SECTIONS

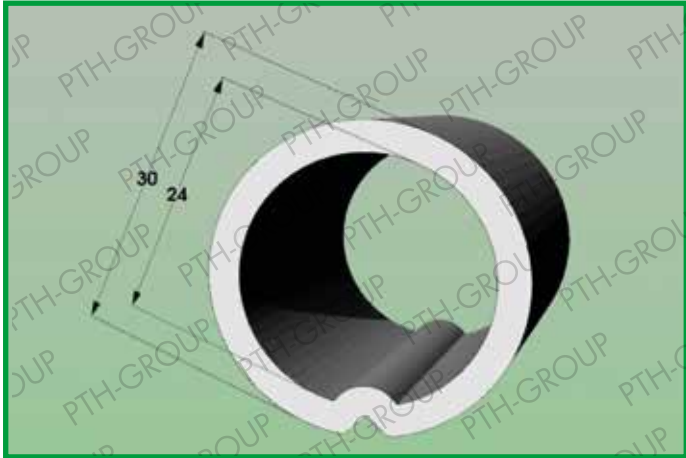
**Profile 1010.401**

**Material: POLYCARBONATE CLEAR / OPAL**



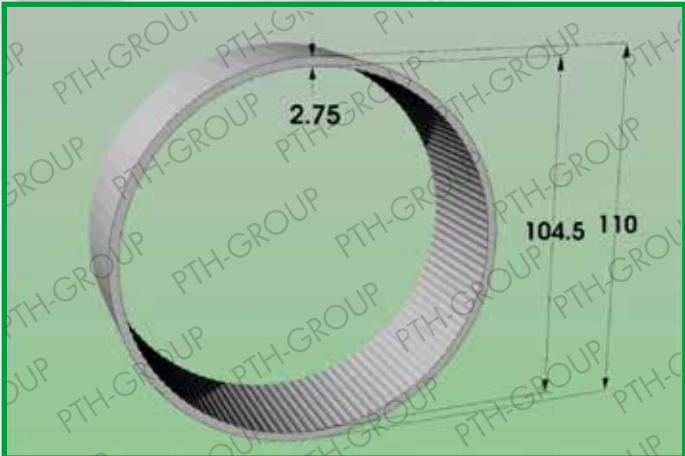
**Profile 1010.44**

**Material: POLYCARBONATE CLEAR / OPAL**



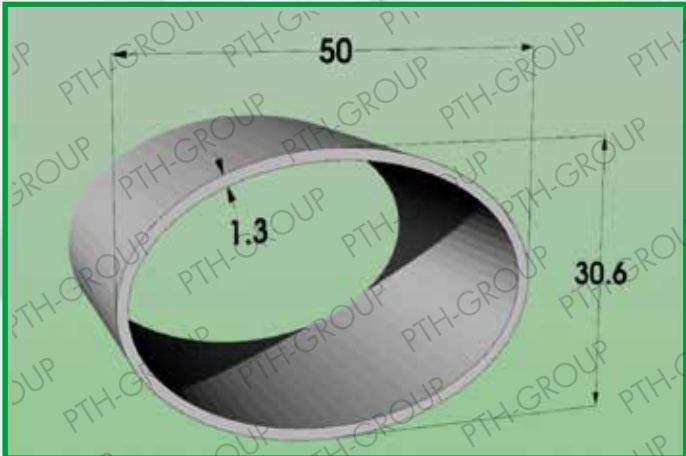
**Profile 1010.382**

**Material: POLYCARBONATE CLEAR / OPAL**



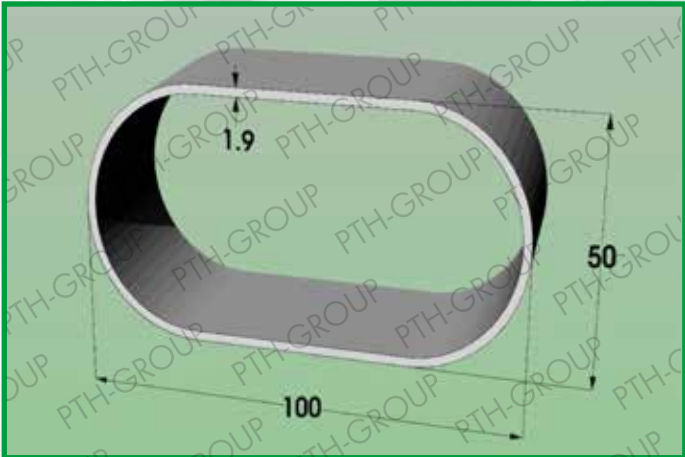
**Profile 1010.157**

**Material: POLYCARBONATE CLEAR / OPAL**



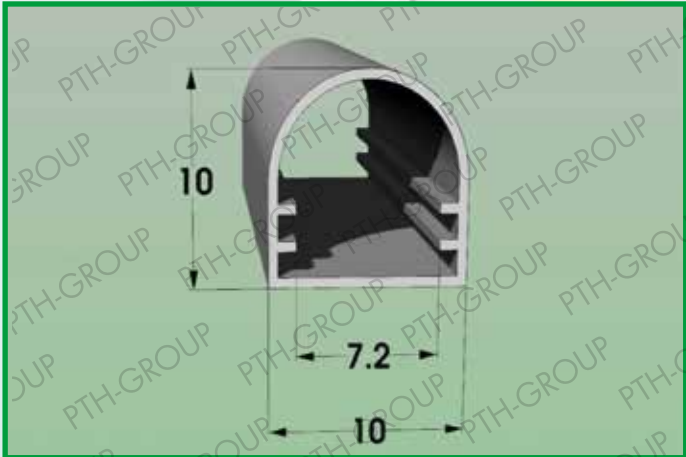
**Profile 1010.16**

**Material: POLYCARBONATE CLEAR / OPAL**



**Profile 1010.205**

**Material: POLYCARBONATE CLEAR / OPAL**





# CLOSED SECTIONS

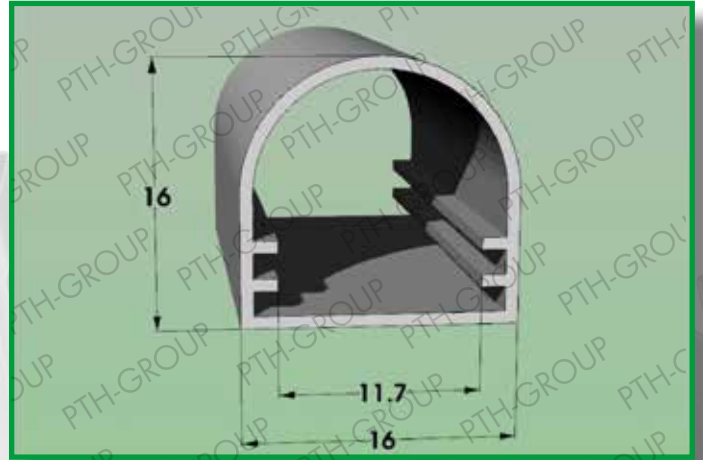
**Profile 1010.204**

**Material: POLYCARBONATE CLEAR / OPAL**



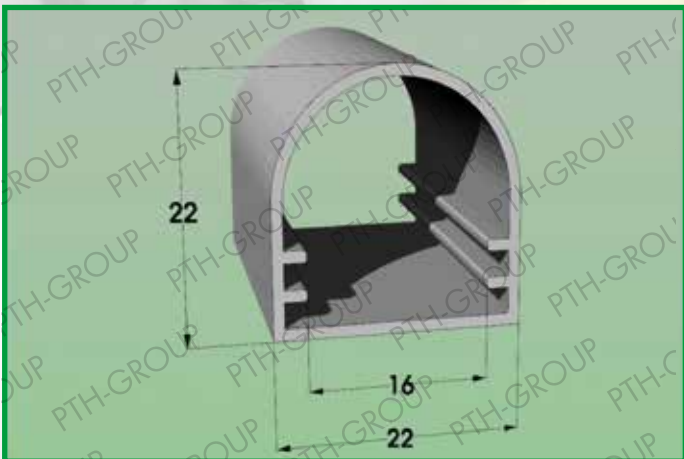
**Profile 1010.203**

**Material: POLYCARBONATE CLEAR / OPAL**



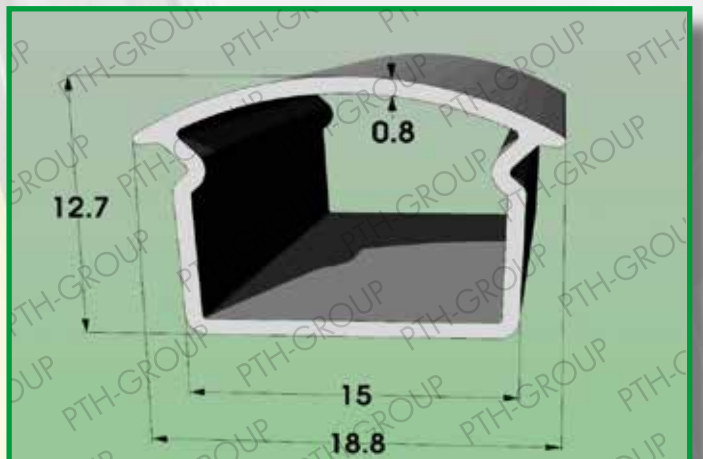
**Profile 1010.202**

**Material: POLYCARBONATE CLEAR / OPAL**



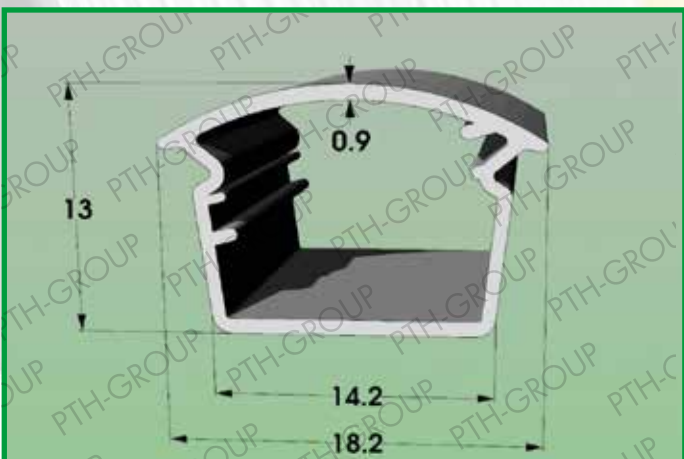
**Profile 1010.422**

**Material: POLYCARBONATE CLEAR / OPAL**



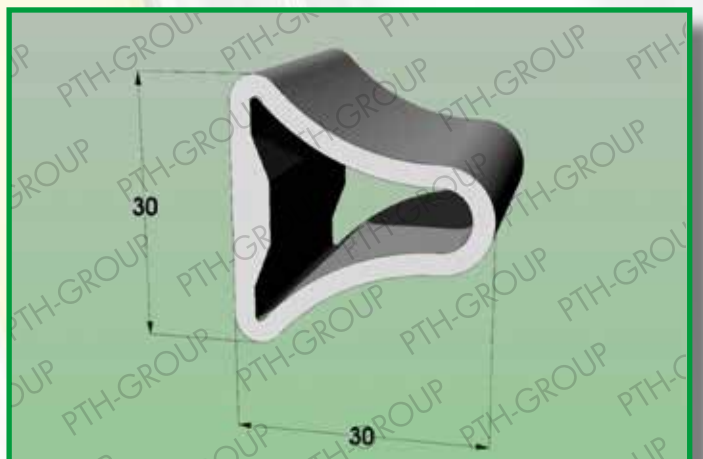
**Profile 1010.435**

**Material: POLYCARBONATE CLEAR / OPAL**



**Profile 1010.110**

**Material: POLYCARBONATE CLEAR / OPAL**

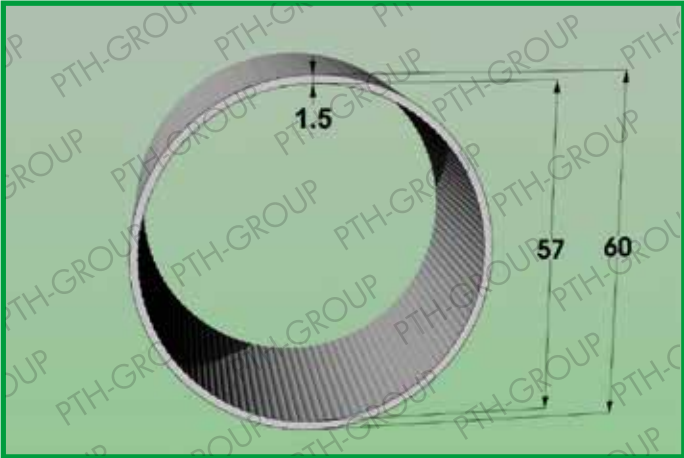




# CLOSED SECTIONS

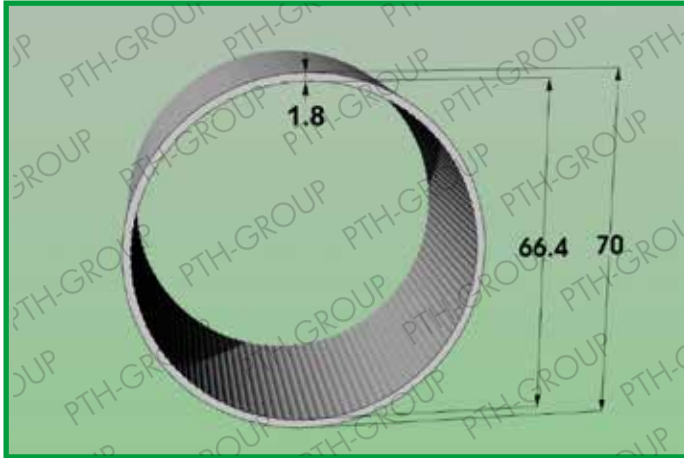
**Profile 1010.454**

**Material: POLYCARBONATE CLEAR / OPAL**



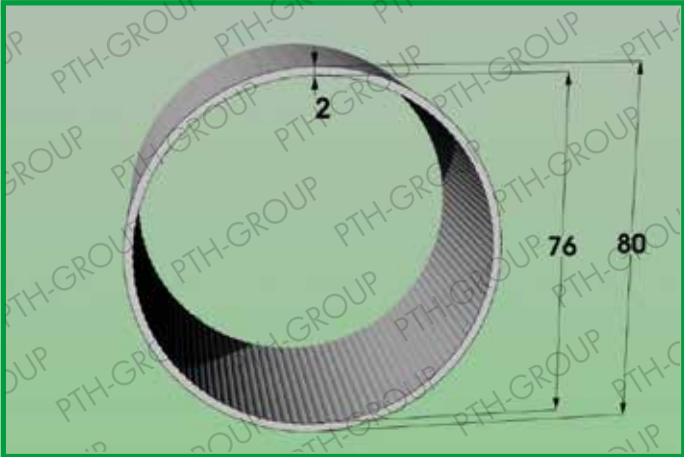
**Profile 1010.455**

**Material: POLYCARBONATE CLEAR / OPAL**



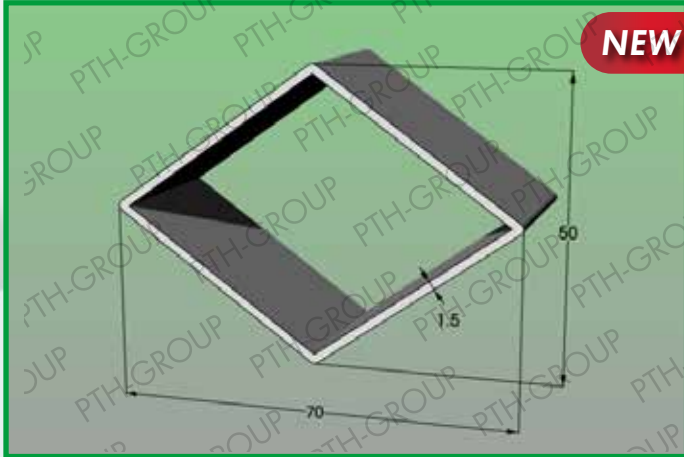
**Profile 1010.456**

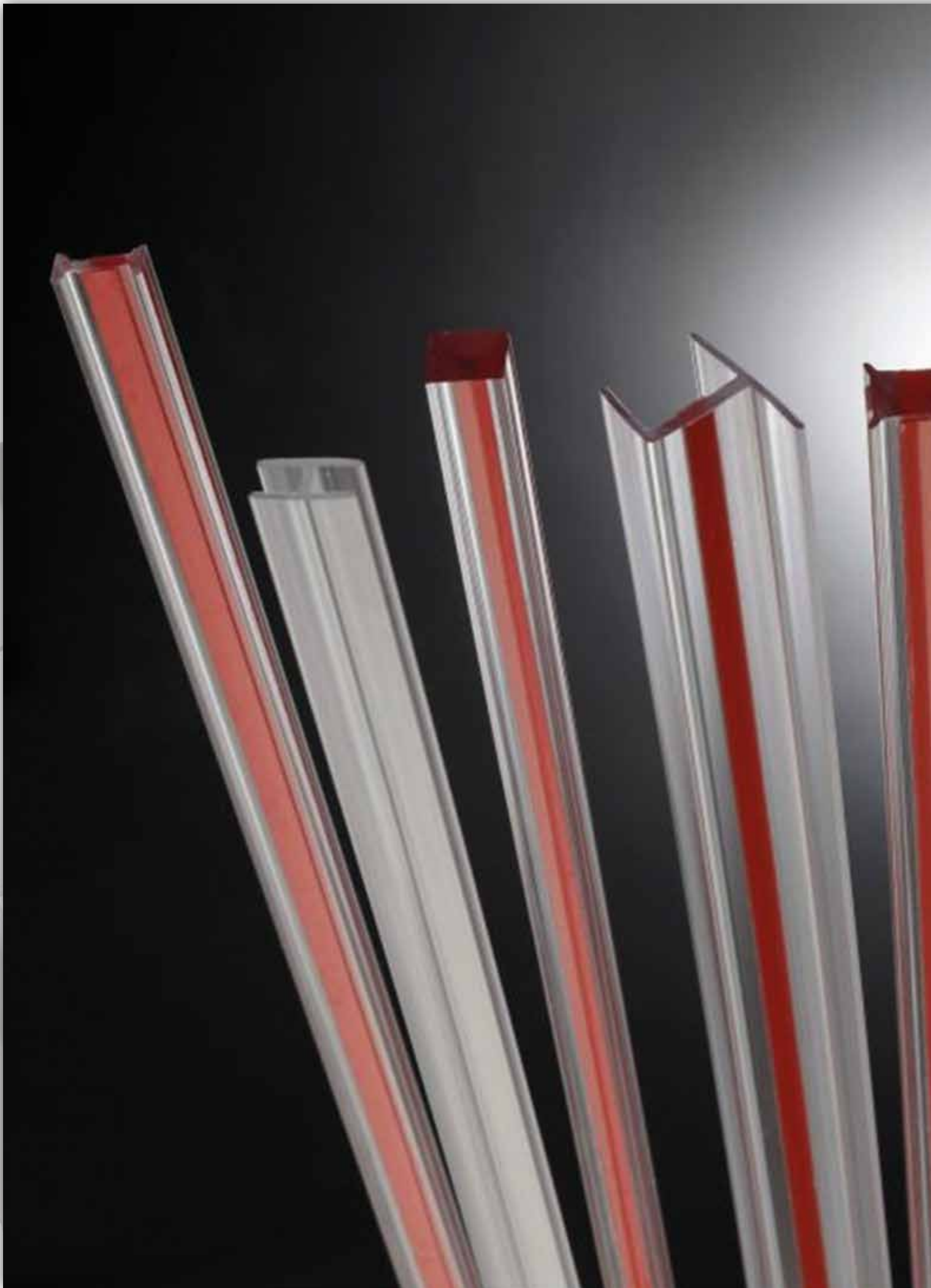
**Material: POLYCARBONATE CLEAR / OPAL**



**Profile 1010.549**

**Material: POLYCARBONATE CLEAR / OPAL  
PMMA SATIN**





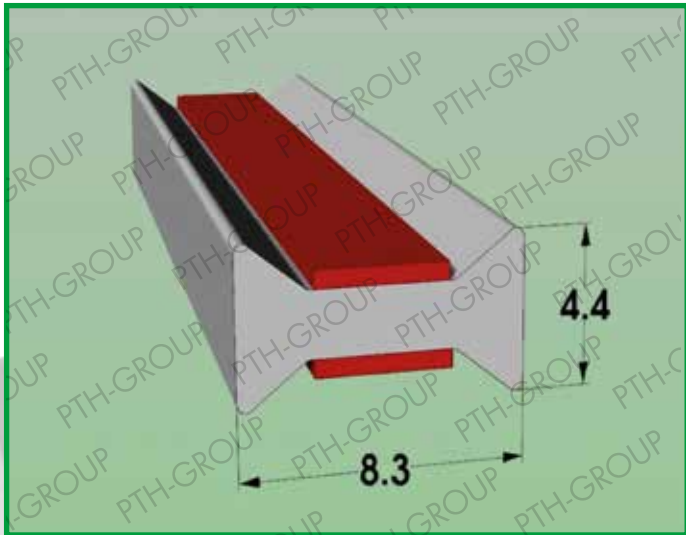
# GLASS PARTITIONING PROFILES



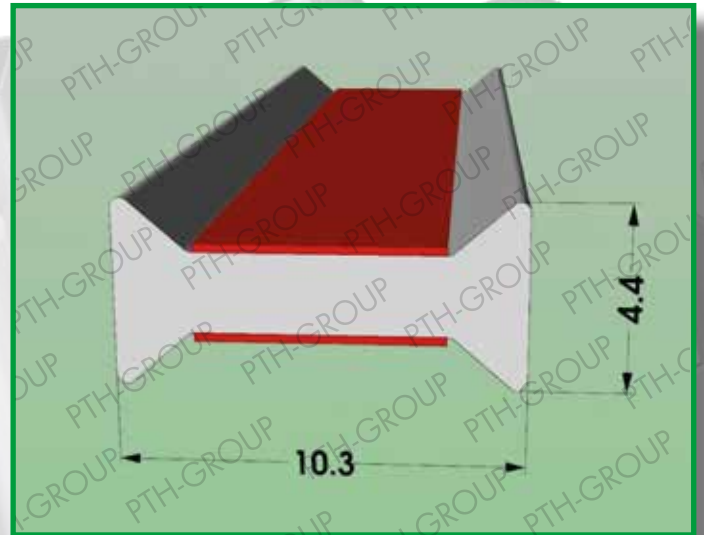


# GLASS PARTITIONING PROFILES

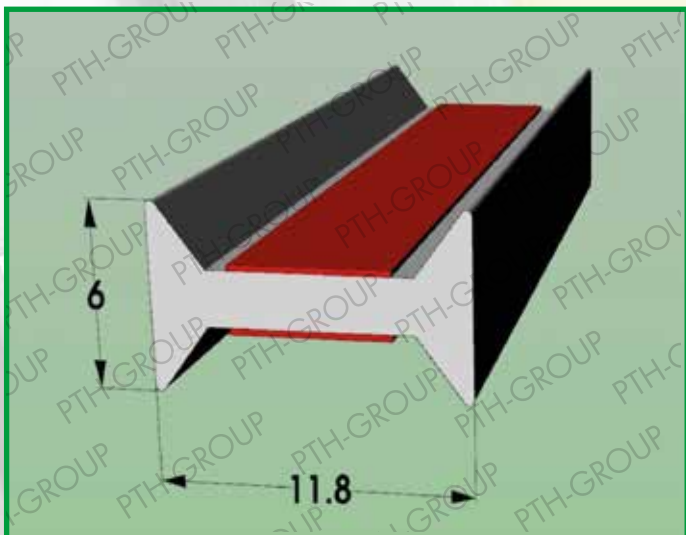
**Profile 1010.187**  
**Material: POLYCARBONATE**



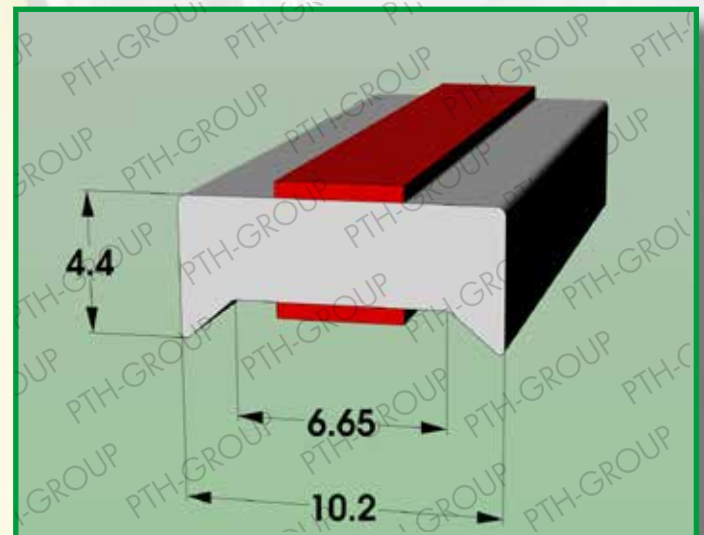
**Profile 1010.17**  
**Material: POLYCARBONATE**



**Profile 1010.95**  
**Material: POLYCARBONATE**

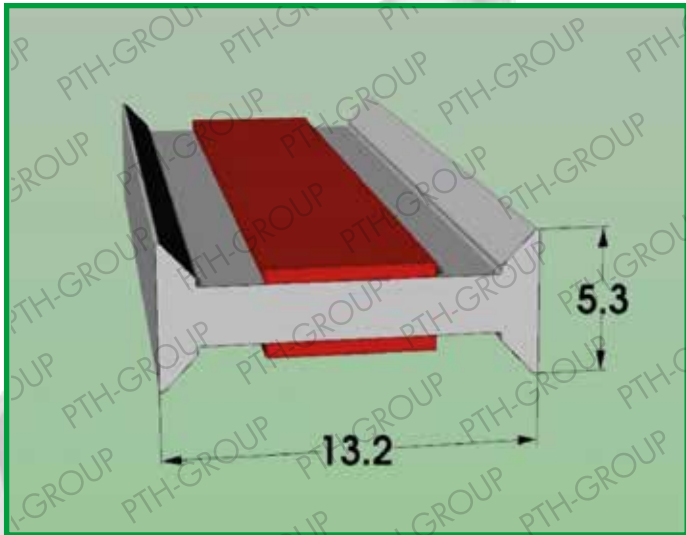


**Profile 1010.498**  
**Material: POLYCARBONATE**

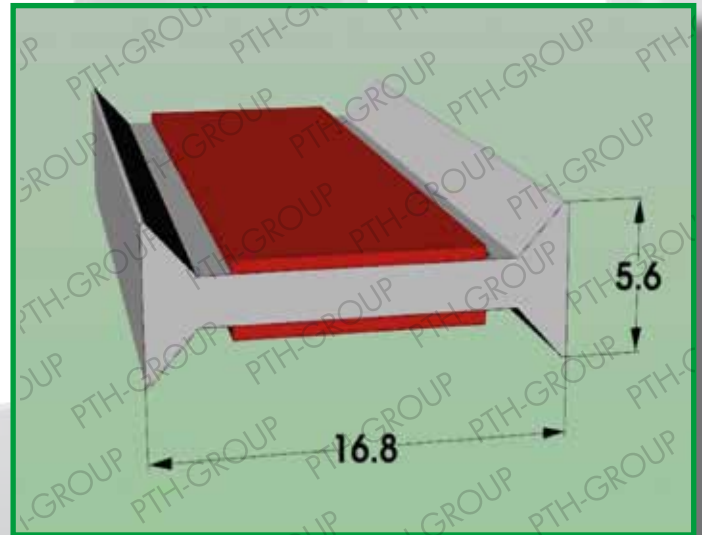


# GLASS PARTITIONING PROFILES

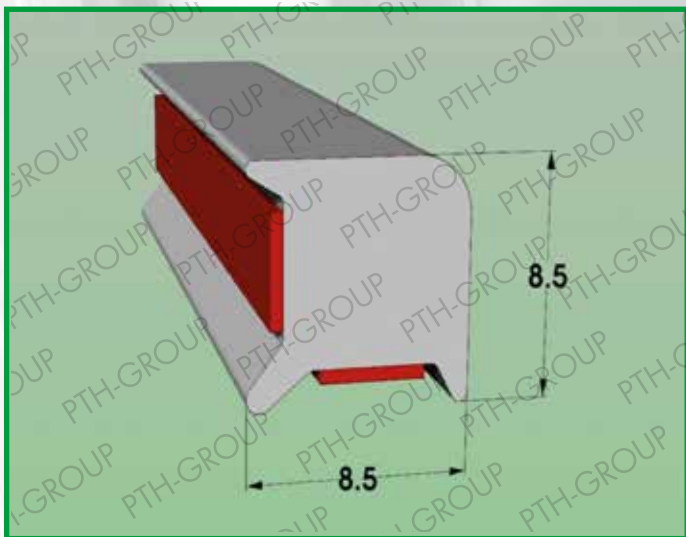
**Profile 1010.230**  
**Material: POLYCARBONATE**



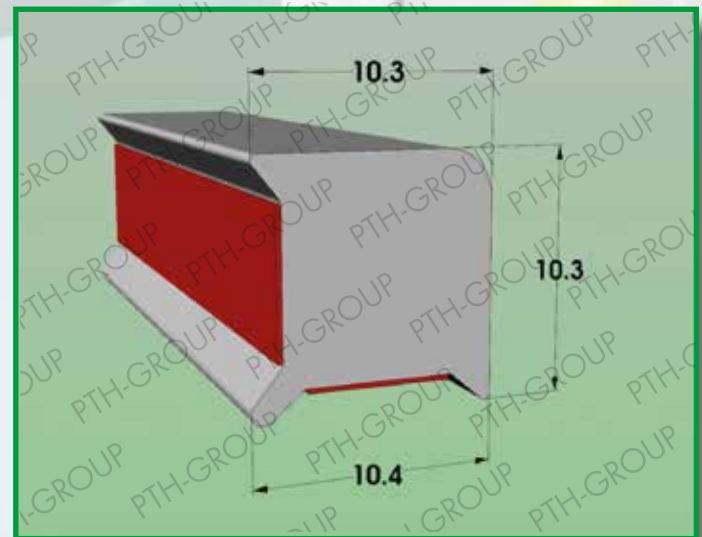
**Profile 1010.257**  
**Material: POLYCARBONATE**



**Profile 1010.186**  
**Material: POLYCARBONATE**

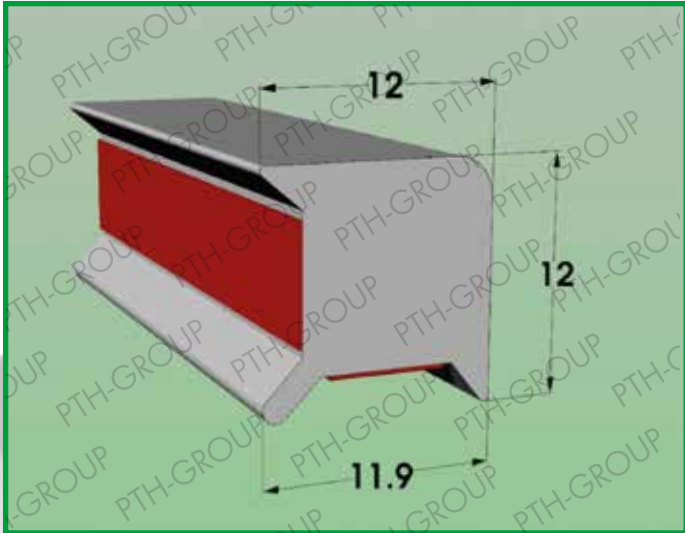


**Profile 1010.19**  
**Material: POLYCARBONATE**

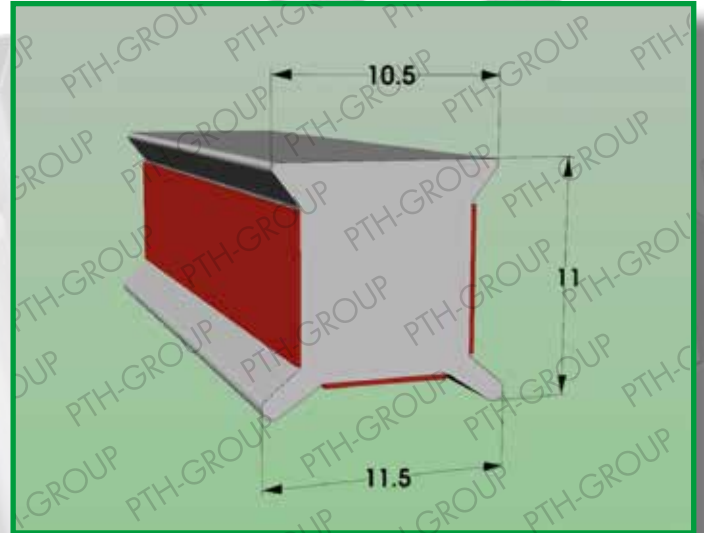


# GLASS PARTITIONING PROFILES

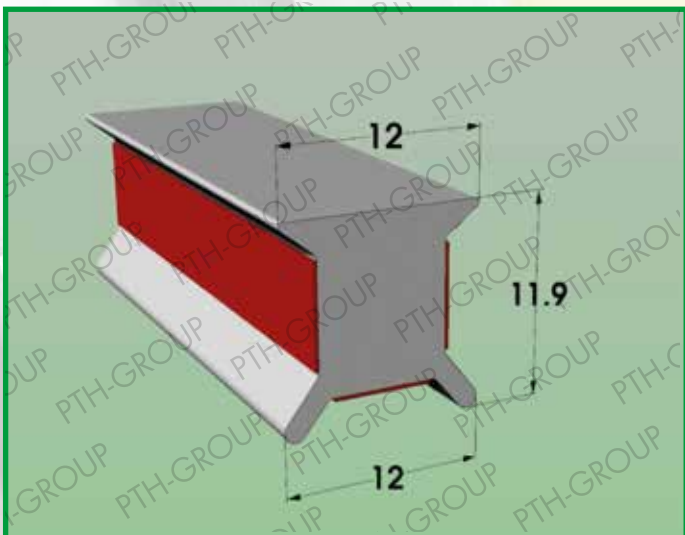
**Profile 1010.100**  
**Material: POLYCARBONATE**



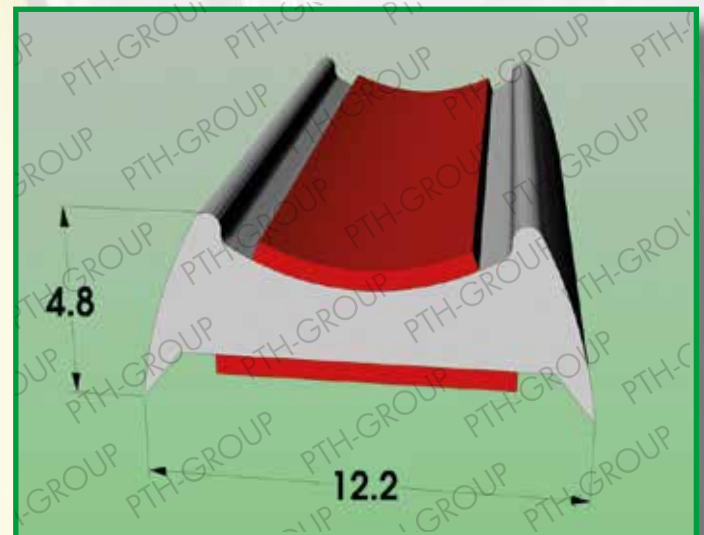
**Profile 1010.18**  
**Material: POLYCARBONATE**



**Profile 1010.101**  
**Material: POLYCARBONATE**



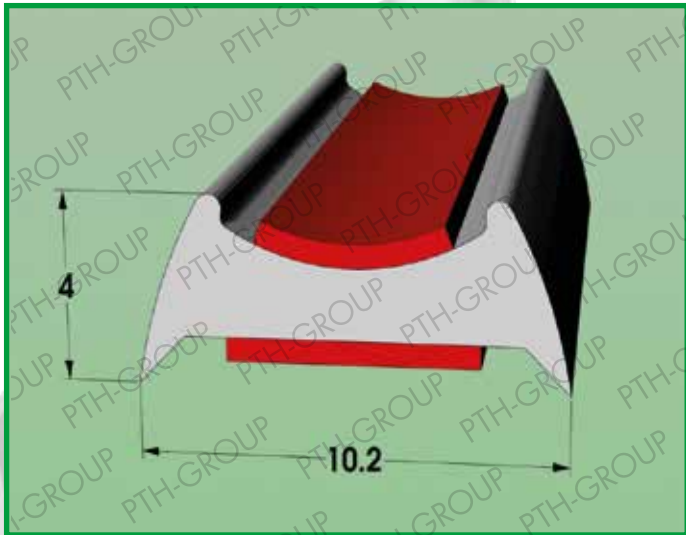
**Profile 1010.425**  
**Material: POLYCARBONATE**



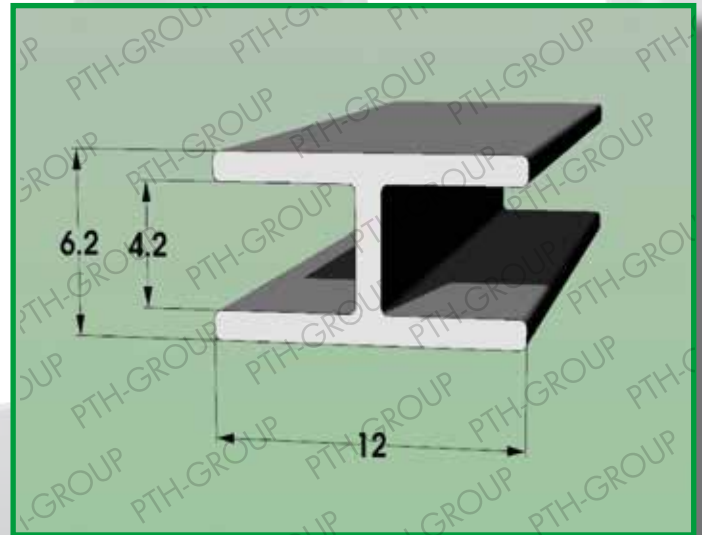


# GLASS PARTITIONING PROFILES

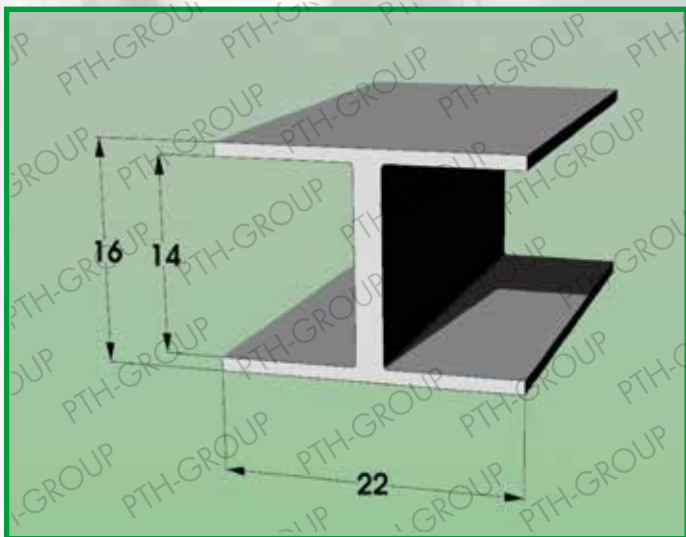
**Profile 1010.426**  
**Material: POLYCARBONATE**



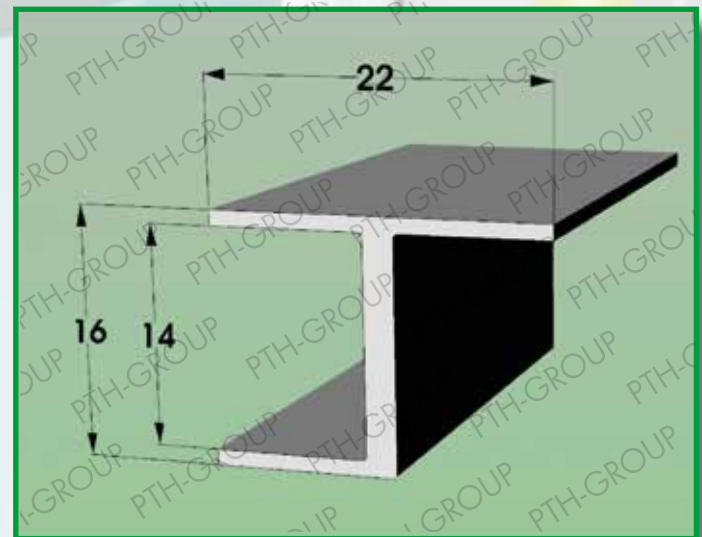
**Profile 1010.46**  
**Material: POLYCARBONATE**



**Profile 1010.104**  
**Material: POLYCARBONATE**

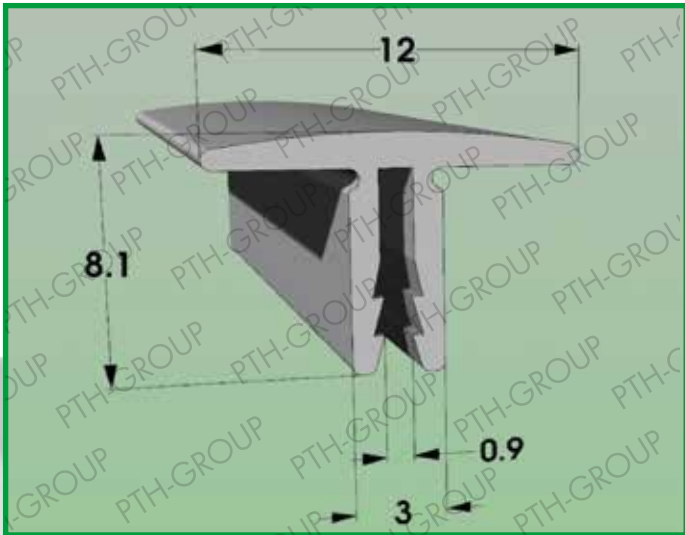


**Profile 1010.105**  
**Material: POLYCARBONATE**

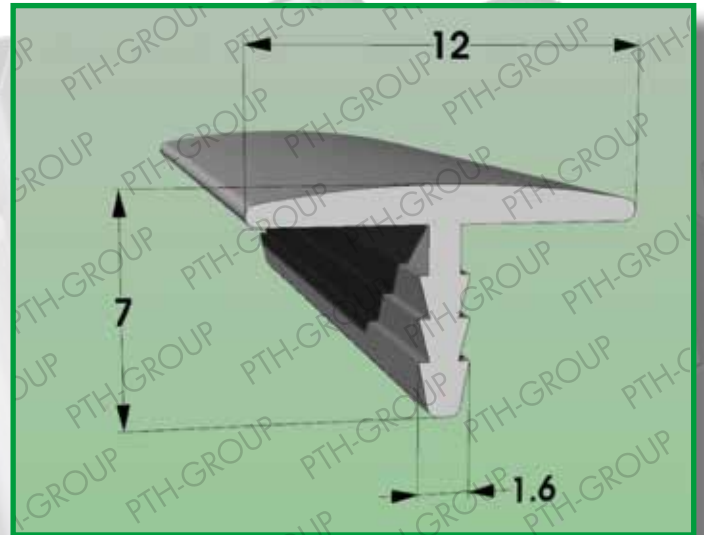


# GLASS PARTITIONING PROFILES

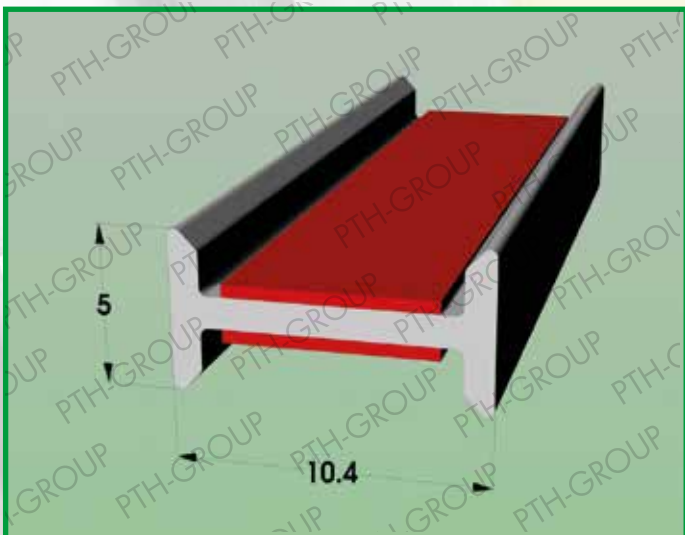
**Profile 1010.135**  
**Material: POLYCARBONATE**



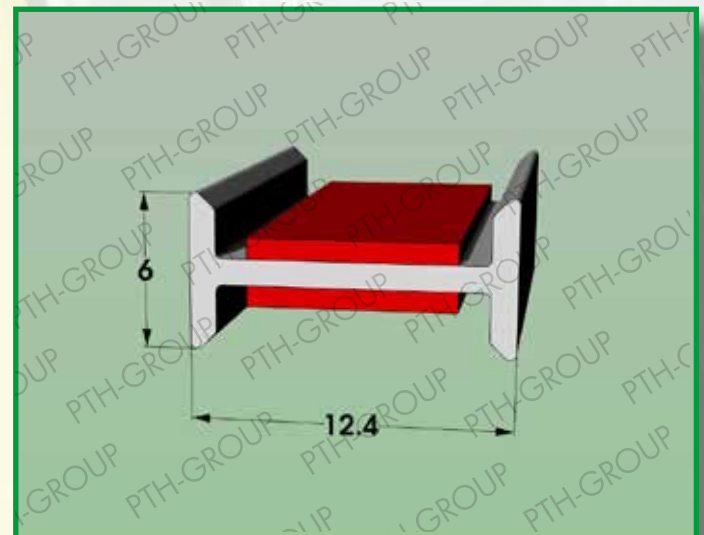
**Profile 1010.136**  
**Material: POLYCARBONATE**



**Profile 1010.441**  
**Material: POLYCARBONATE**

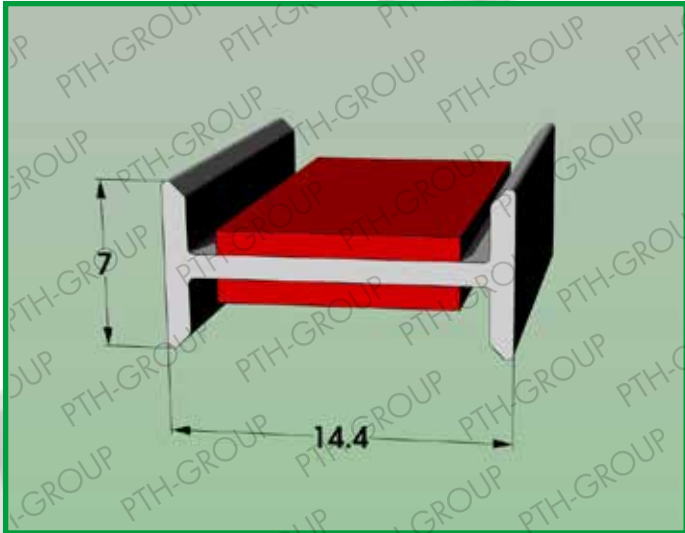


**Profile 1010.461**  
**Material: POLYCARBONATE**

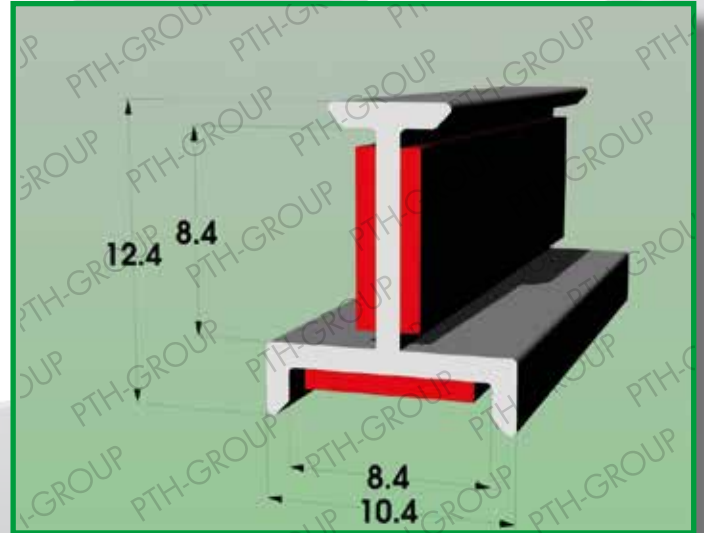


# GLASS PARTITIONING PROFILES

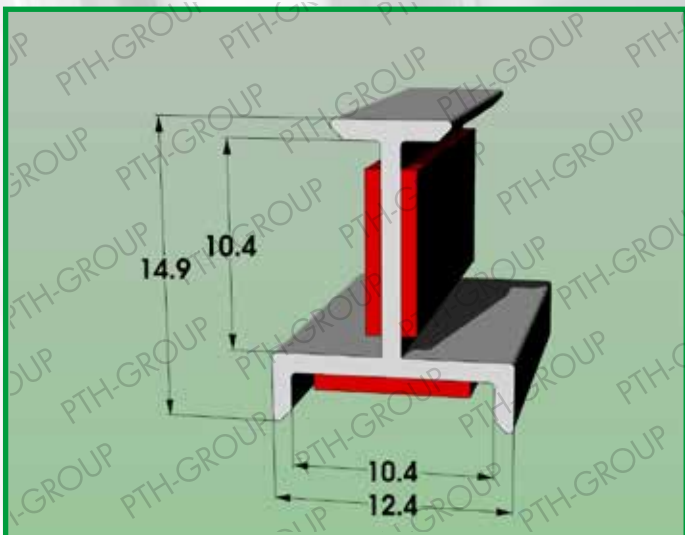
**Profile 1010.465**  
**Material: POLYCARBONATE**



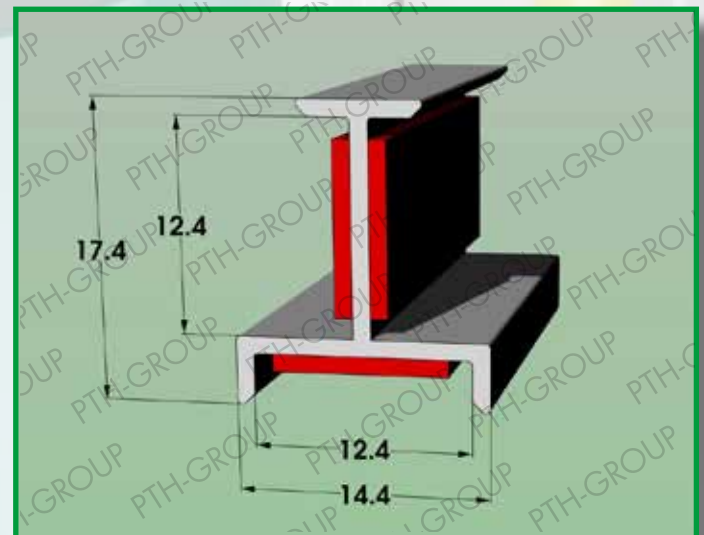
**Profile 1010.442**  
**Material: POLYCARBONATE**



**Profile 1010.462**  
**Material: POLYCARBONATE**



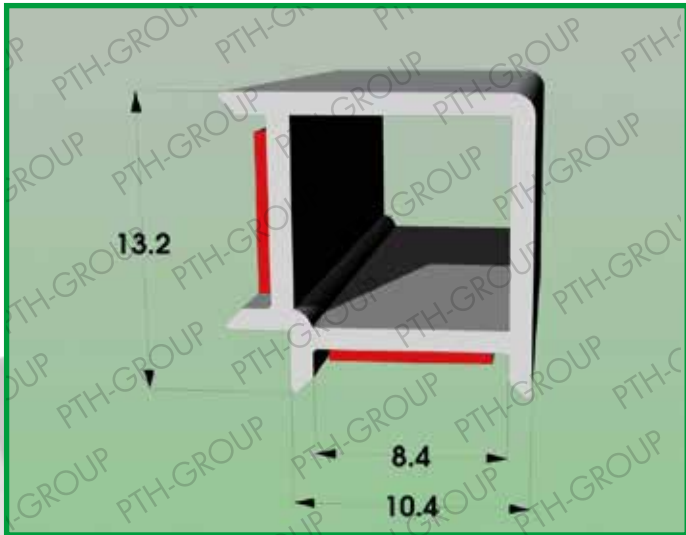
**Profile 1010.466**  
**Material: POLYCARBONATE**



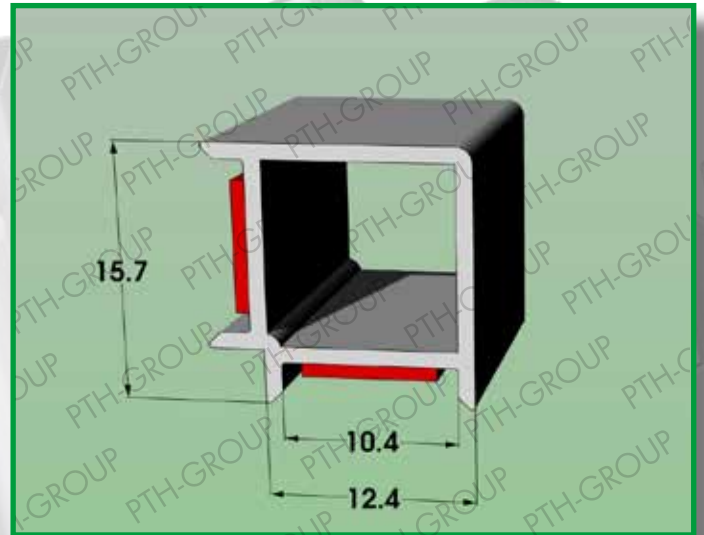


# GLASS PARTITIONING PROFILES

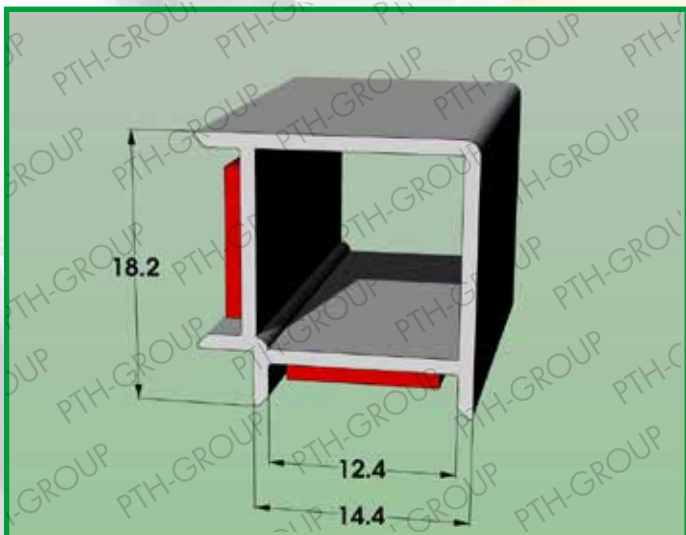
**Profile 1010.443**  
**Material: POLYCARBONATE**



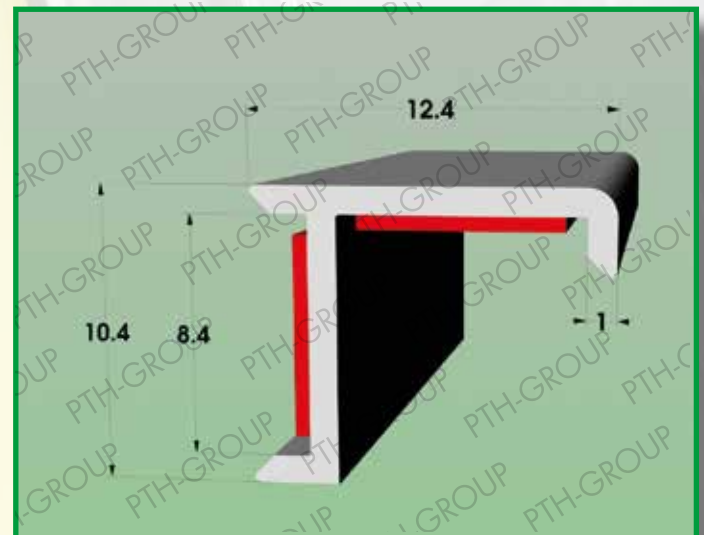
**Profile 1010.463**  
**Material: POLYCARBONATE**



**Profile 1010.467**  
**Material: POLYCARBONATE**

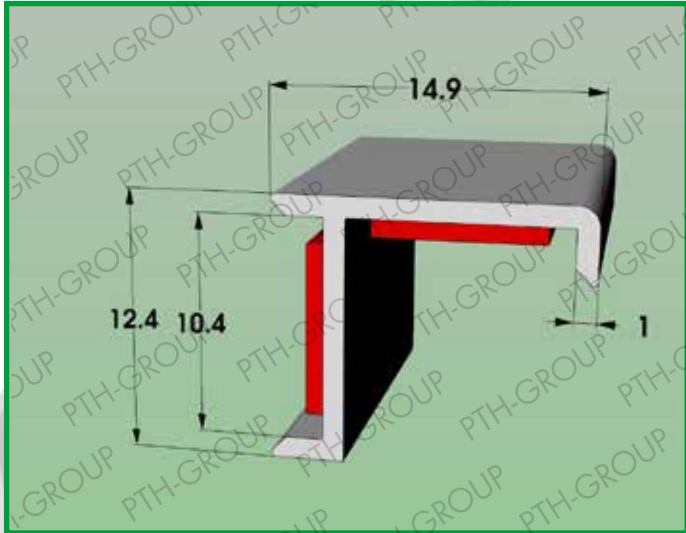


**Profile 1010.444**  
**Material: POLYCARBONATE**

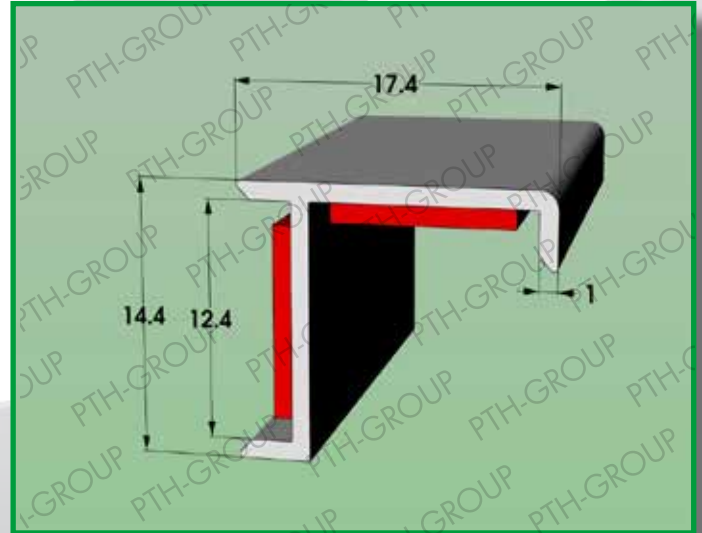


# GLASS PARTITIONING PROFILES

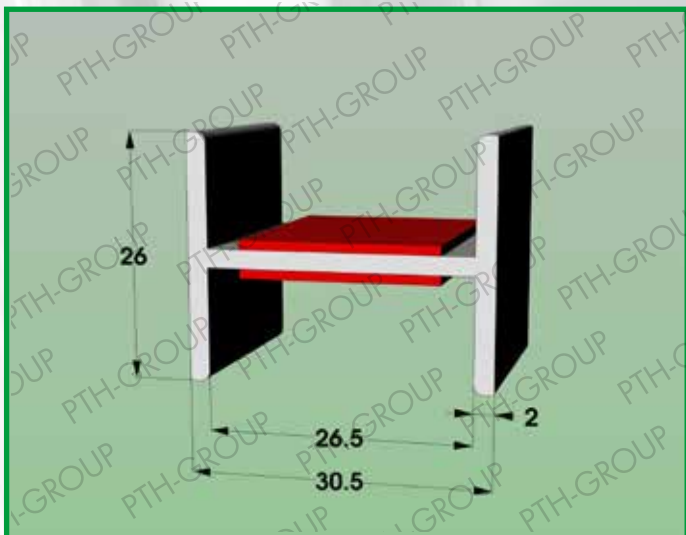
**Profile 1010.464**  
**Material: POLYCARBONATE**



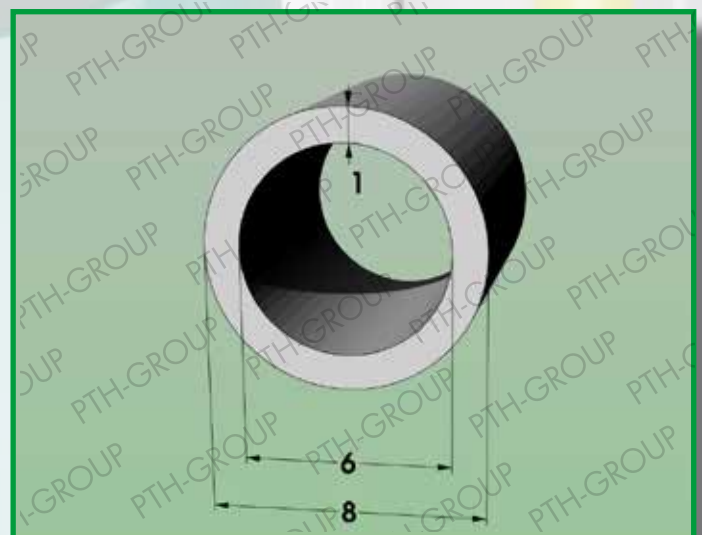
**Profile 1010.468**  
**Material: POLYCARBONATE**



**Profile 1010.499**  
**Material: POLYCARBONATE**

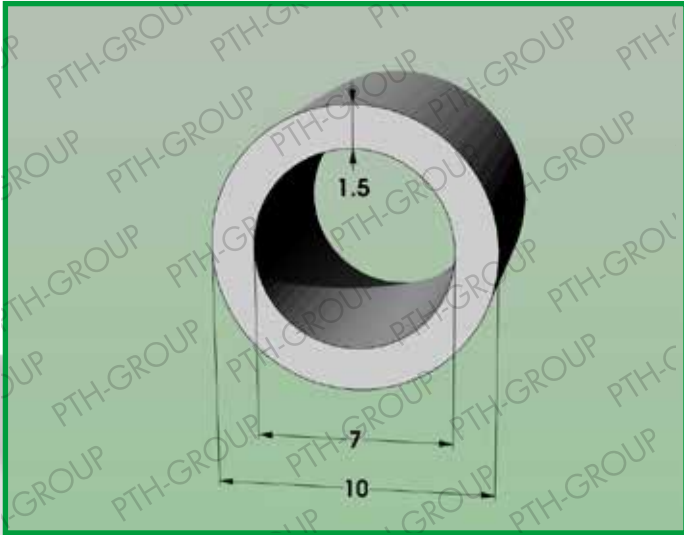


**Profile 1010.471**  
**Material: POLYCARBONATE**

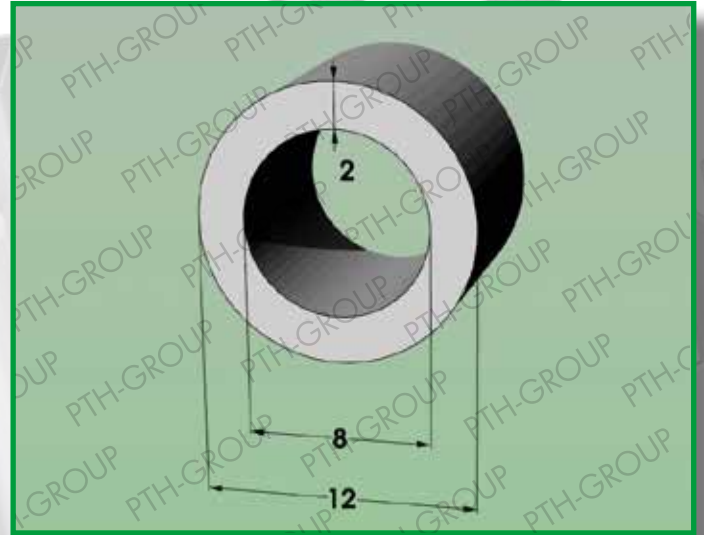


# GLASS PARTITIONING PROFILES

**Profile 1010.472**  
**Material: POLYCARBONATE**



**Profile 1010.473**  
**Material: POLYCARBONATE**







---

*Some drawings of this catalog are exclusive property of our customers.  
LED and Lighting Profiles and Diffusers drawings are only for illustrative purpose.  
Technical modifications reserved*

---

## POLYCARBONATE TUBES



Polycarbonate Transparent and Opal Tubes are extruded in UV stabilized high mechanical resistance material. On request tubes are produced also in Polycarbonate Flame Retardant UL 94 V0 material.

### **TECHNICAL MATERIAL PROPERTIES**

Excellent light transmission values

UVstabilized

High Mechanical resistance

High service temperature

Good chemical resistance

Flame Retardant UL 94 V0 (on request)

## PMMA TUBES



PMMA Tubes are extruded in transparent or opal material.

### **TECHNICAL MATERIAL PROPERTIES**

Perfectly clear and colourless

Excellent light transmission

High quality surface

High light diffusion

Very good brilliancy



## PMMA SATIN TUBES



PMMA Satin Tubes are suitable to create a diffused light effect with the presence of an internal lighting source.

### **TECHNICAL MATERIAL PROPERTIES**

- Elegant and attractive surface
- High light transmission
- Low inner reflection
- Impact resistant
- Diffused light spread
- Hiding light source power

## DIMENSIONS

Outer - Ø in mm	Min. production volume (m)
Ø 4	2000
Ø 4,7	2000
Ø 5	2000
Ø 6	1500
Ø 7	1500
Ø 8	1500
Ø 9	1500
Ø 9,5	1500
Ø 10	1500
Ø 11	1000
Ø 12	1000
Ø 13	1000
Ø 14	1000
Ø 15	1000
Ø 15,5	1000
Ø 16	1000
Ø 17	1000
Ø 18	1000
Ø 19	1000
Ø 20	1000
Ø 20,5	1000
Ø 21	1000
Ø 22	1000
Ø 23	1000
Ø 24	1000
Ø 25	1000
Ø 25,4	1000
Ø 26	1000
Ø 27	1000
Ø 28*	1000
Ø 30*	1000
Ø 32*	1000
Ø 32,5*	1000
Ø 33*	1000
Ø 34*	1000
Ø 35*	1000
Ø 36*	1000
Ø 38*	1000
Ø 40*	500
Ø 42,5*	500
Ø 44*	500
Ø 45*	500

Outer - Ø in mm	Min. production volume (m)
Ø 50*	500
Ø 52*	500
Ø 56*	500
Ø 59*	500
Ø 60*	500
Ø 63*	500
Ø 64*	500
Ø 65*	500
Ø 66*	500
Ø 67*	500
Ø 68*	500
Ø 70*	250
Ø 75*	250
Ø 78*	250
Ø 80*	250
Ø 83*	250
Ø 84*	250
Ø 90*	250
Ø 95*	250
Ø 96*	250
Ø 100*	250
Ø 110*	250
Ø 120*	250
Ø 125	250
Ø 130	250
Ø 133	250
Ø 134	250
Ø 140	250
Ø 145	250
Ø 150	250
Ø 152	250
Ø 160	250
Ø 170	250
Ø 178	250
Ø 180	250
Ø 185	250
Ø 200	250
Ø 230	250
Ø 240	250
Ø 250	250
Ø 300	250

\*as well with inside prismatic structure  
Wall thickness and other diameters on demand

# TECHNICAL TUBES SPECIFICATIONS

## Tolerances for roundness (in % of outer diameter):

$\varnothing$  6 mm to  $\varnothing$  148 mm =  $\pm 1,0$  %  
 $\varnothing$  150 mm to  $\varnothing$  300 mm =  $\pm 1,5$  %

## Tolerances for wall thickness (in %):

$\varnothing$  6 mm to  $\varnothing$  98 mm =  $\pm 5,0$  %  
 $\varnothing$  100 mm to  $\varnothing$  300 mm =  $\pm 10,0$  %

## Tolerances for length (in mm):

Production lengths up to 6.000 mm  $\pm 30,0$  mm

Separate cutting service (manual cuts) for lengths (L)

$L \leq 1.000$  mm  $\pm 1$  mm

$1.000 < L \leq 2.000$  mm  $\pm 1,5$  mm

$L > 2.000$  mm upon demand

A small recess of 0.3 mm may occur at the cut edges

## Tolerances for straightness:

Maximum deviation: 3.0 mm on 1.000 mm chord length

## Optical properties:

Extrusion marks and Optical rings are unavoidable due to the extrusion process

## Tolerances for PC and PMMA Tubes:

The above manufacturing tolerances apply at a reference temperature of 20 °C



# TECHNICAL DATA SHEET

## POLYCARBONATE UV STABILIZED - ANTISHOCK

Physical	Nominal Value Unit	Test Method
Density	1.20 g/cm <sup>3</sup>	ISO 1183
Apparent Density	0.66 g/cm <sup>3</sup>	ISO 60
Melt Mass-Flow Rate (MFR) (300°C/1.2 kg)	3.0 g/10 min	ISO 1133
Melt Volume-Flow Rate (MVR) (300°C/1.2 kg)	3.00 cm <sup>3</sup> /10 min	ISO 1133
Molding Shrinkage		
Across Flow	0.60 to 0.80%	ISO 2577
Flow	0.60 to 0.80%	ISO 2577
Across Flow: 2.00 mm <sup>2</sup>	0.75%	ISO 294-4
Flow: 2.00 mm <sup>2</sup>	0.75%	ISO 294-4
Water Absorption		ISO 62
Saturation, 23°C	0.30%	
Equilibrium, 23°C, 50% RH	0.12%	
Mechanical	Nominal Value Unit	Test Method
Tensile Modulus (23°C)	2400 MPa	ISO 527-2/1
Tensile Stress		ISO 527-2/50
Yield, 23°C	67.0 MPa	
Break, 23°C	65.0 MPa	
Tensile Strain		ISO 527-2/50
Yield, 23°C	6.3%	
Break, 23°C	100%	
Nominal Tensile Strain at Break (23°C)	> 50%	ISO 527-2/50
Tensile Creep Modulus		ISO 899-1
1 hr	2200 MPa	
1000 hr	1900 MPa	
Flexural Modulus <sup>3</sup> (23°C)	2400 MPa	ISO 178
Flexural Strength <sup>3</sup>		ISO 178
3.5% Strain, 23°C	74.0 MPa	
23°C	100 MPa	
Flexural Strain at Flexural Strength		ISO 179
23°C, 2 mm/min	7.3%	
Films	Nominal Value Unit	Test Method
Water Vapor Transmission Rate		ISO 15106-1
23°C, 100 µm, 85% RH	15 g/m <sup>2</sup> /24 hr	
Carbon Dioxide Permeability		ISO 2556
25.4 µm	16900 cm <sup>3</sup> /m <sup>2</sup> /bar/24 hr	
100.0 µm	4300 cm <sup>3</sup> /m <sup>2</sup> /bar/24 hr	
Nitrogen Permeability		ISO 2556
25.4 µm	510 cm <sup>3</sup> /m <sup>2</sup> /bar/24 hr	
100.0 µm	130 cm <sup>3</sup> /m <sup>2</sup> /bar/24 hr	
Oxygen Permeability		ISO 2556
25.4 µm	2800 cm <sup>3</sup> /m <sup>2</sup> /bar/24 hr	
100.0 µm	700 cm <sup>3</sup> /m <sup>2</sup> /bar/24 hr	
Impact	Nominal Value Unit	Test Method
Charpy Notched Impact Strength <sup>4,5</sup>		ISO 7391
-30°C, Complete Break	16 kJ/m <sup>2</sup>	
23°C, Partial Break	70 kJ/m <sup>2</sup>	
Charpy Unnotched Impact Strength		ISO 179/1eU
-60°C	No Break	
-30°C	No Break	
23°C	No Break	
Notched Izod Impact Strength <sup>6</sup>		ISO 180/A
-30°C, Complete Break	14 kJ/m <sup>2</sup>	
23°C, Partial Break	80 kJ/m <sup>2</sup>	
Multi-Axial Instrumented Impact Energy		ISO 6603-2
-30°C	65.0 J	
23°C	60.0 J	
Multi-Axial Instrumented Impact Peak Force		ISO 6603-2
-30°C	6500 N	
23°C	5600 N	
Hardness	Nominal Value Unit	Test Method
Ball Indentation Hardness	115 MPa	ISO 2039-1

Thermal	Nominal Value Unit	Test Method
Heat Deflection Temperature		
0.45 MPa, Unannealed	138°C	ISO 75-2/B
1.8 MPa, Unannealed	127°C	ISO 75-2/A
Glass Transition Temperature	145°C	ISO 11357-2
Vicat Softening Temperature		
-	146°C	ISO 306/B50
-	147°C	ISO 306/B120
Ball Pressure Test (137°C)	Pass	IEC 60695-10-2
CLTE		ISO 11359-2
Flow: 23 to 55°C	0.000065 cm/cm/°C	
Transverse: 23 to 55°C	0.000065 cm/cm/°C	
Thermal Conductivity (23°C)	0.20 W/m/K	ISO 8302
Electrical	Nominal Value Unit	Test Method
Surface Resistivity	1.0E+16 ohms	IEC 60093
Volume Resistivity	1.0E+16 ohm cm	IEC 60093
Relative Permittivity		IEC 60250
23°C, 100 Hz	3.10	
23°C, 1 Mhz	3.00	
Dissipation Factor		IEC 60250
23°C, 100 Hz	0.00050	
23°C, 1 Mhz	0.0090	
Comparative Tracking Index		IEC 60112
Solution A	250 V	
Solution B	100 V	
Electric Strength (23°C, 1.00 mm)	34 kV/mm	IEC 60243-1
Flammability	Nominal Value Unit	Test Method
Flame Rating - UL		UL 94
1.50 mm, CL, NC, WT	HB	
3.00 mm, WT	V-2	
6.00 mm, CL, NC, WT	V-0	
Glow Wire Flammability Index		IEC 60695-2-12
1.00 mm	850°C	
1.50 mm	850°C	
2.00 mm	850°C	
3.00 mm	960°C	
4.00 mm	960°C	
Oxygen Index <sup>7</sup>	27%	ISO 4589-2
Burning Rate (> 1.00 mm, US-FMVSS)	Passed	ISO 3795
Flash Ignition Temperature	480°C	ASTM D1929
Needle Flame Test		
1.50 mm Method F	60.0 sec	
1.50 mm Method K	5.0 sec	
2.00 mm Method K	5.0 sec	
2.00 mm Method F	60.0 sec	
3.00 mm Method F	120.0 sec	
3.00 mm Method K	10.0 sec	
Self Ignition Temperature	550°C	ASTM D1929
UL 746	Nominal Value Unit	Test Method
RTI Str (1.50 mm)	125°C	UL 746
RTI Imp (1.50 mm)	115°C	UL 746
RTI Elec (1.50 mm)	125°C	UL 746
Optical	Nominal Value Unit	Test Method
Refractive Index <sup>8</sup>	1.587	ISO 489
Transmittance		ISO 13468-2
1.00 µm	89.0%	
2000 µm	88.0%	
3000 µm	88.0%	
4000 µm	87.0%	
Haze (3000 µm)	< 0.80%	ISO 14782
Additional Information	Nominal Value Unit	Test Method
Electrolytical corrosion	A1	IEC 60426
ISO Shortname	PC, ELS, (..)-05-9	ISO 7391

# TECHNICAL DATA SHEET

## POLYCARBONATE FLAME RETARDANT

Physical	Nominal Value Unit	Test Method
Density	1.25 g/cm <sup>3</sup>	ISO 1183
Melt Volume-Flow Rate (MVR)		ISO 1133
300°C/1.2 kg	3.00 cm <sup>3</sup> /10 min	
300°C/2.16 kg	5.50 cm <sup>3</sup> /10 min	
Molding Shrinkage - Flow <sup>2</sup>	0.40 to 0.60%	Internal Method
Water Absorption		ISO 62
Saturation, 23°C	0.32%	
Equilibrium, 23°C, 50% RH	0.13%	
Mechanical	Nominal Value Unit	Test Method
Tensile Modulus	2350 MPa	ISO 527-2/1
Tensile Stress		ISO 527-2/50
Yield	65.0 MPa	
Break	70.0 MPa	
Tensile Strain		ISO 527-2/50
Yield	7.0%	
Break	> 70%	
Flexural Modulus <sup>3</sup>	2350 MPa	ISO 178
Flexural Strength <sup>3,4</sup>	95.0 MPa	ISO 178
Taber Abrasion Resistance		Internal Method
1000 Cycles, 1000 g. CS-17 Wheel	9.00 mg	
Impact	Nominal Value Unit	Test Method
Charpy Notched Impact Strength <sup>5</sup>		ISO 179/1eA
-30°C	10 kJ/m <sup>2</sup>	
23°C	11 kJ/m <sup>2</sup>	
Charpy Unnotched Impact Strength <sup>5</sup>		ISO 179/1eU
-30°C	No Break	
23°C	No Break	
Notched Izod Impact Strength <sup>6</sup>		ISO 180/1A
-30°C	10 kJ/m <sup>2</sup>	
23°C	11 kJ/m <sup>2</sup>	
Unnotched Izod Impact Strength <sup>6</sup>		ISO 180/1U
-30°C	No Break	
23°C	No Break	
Hardness	Nominal Value Unit	Test Method
Ball Indentation Hardness (H 358/30)	95.0 MPa	ISO 2039-1
Thermal	Nominal Value Unit	Test Method
Heat Deflection Temperature <sup>7</sup>		
0.45 MPa, Unannealed, 100 mm Span	148°C	ISO 75-2/Be
1.8 MPa, Unannealed, 100 mm Span	135°C	ISO 75-2/Ae
Vicat Softening Temperature		
-	155°C	ISO 306/B50
-	156°C	ISO 306/B120
Ball Pressure Test (125°C)	Pass	IEC 60695-10-2
CLTE-Flow (23 to 80°C)	0.000070 cm/cm/°C	ISO 11359-2
Thermal Conductivity	0.20 W/m/K	ISO 8302
Electrical	Nominal Value Unit	Test Method
Surface Resistivity	> 1.0E + 15 ohms	IEC 60093
Volume Resistivity	> 1.0E + 15 ohm cm	IEC 60093
Relative Permittivity		IEC 60250
50 Hz	2.70	
60 Hz	2.70	
1 MHz	2.70	
Dissipation Factor		IEC 60250
50 Hz	0.0010	
60 Hz	0.0010	
1 MHz	0.010	
Electric Strength (3,20 mm, in Oil)	17 kV/mm	IEC 60243-1

Polycarbonate UL 94 - V0 Material is used in conformity to the most requested certificates for Fire and Smoke: DIN 5510-2, NF-F 16-101, NF-P 92501, UNI-CEI 11170 and EN 45545.



Flammability	Nominal Value Unit	Test Method
Flame Rating - UL (1.50 mm)	V-0	UL 94
Glow Wire Flammability Index (1.00 mm)	*850 °C *960 °C	IEC 60695-2-12
Optical	Nominal Value Unit	Test Method
Refractive Index	1.586	ISO 489
Transmittance (2540 μm)	88.0%	ASTM D1003
Haze (2540 μm)	< 0.80%	ASTM D1003
Optical	Nominal Value Unit	
Drying Temperature	120°C	
Drying Time	2.0 to 4.0 hr	
Hopper Temperature	100 to 120°C	
Cylinder Zone 1 Temp.	260 to 300°C	
Cylinder Zone 2 Temp.	260 to 290°C	
Cylinder Zone 3 Temp.	260 to 290°C	
Adapter Temperature	240 to 280°C	
Melt Temperature	260 to 300°C	
Die Temperature	240 to 300°C	
Calibration Temp, First	50.0 to 100°C	
<b>NOTES</b>		
<sup>1</sup> Typical properties: these are not to be construed as specifications		
<sup>2</sup> Tensile Bar		
<sup>3</sup> 2.0 mm/min		
<sup>4</sup> Yield		
<sup>5</sup> 80*10*3 sp=62 mm		
<sup>6</sup> 80*10*3		
<sup>7</sup> 120*10*4 mm		

# TECHNICAL DATA SHEET

## PMMA TRANSPARENT

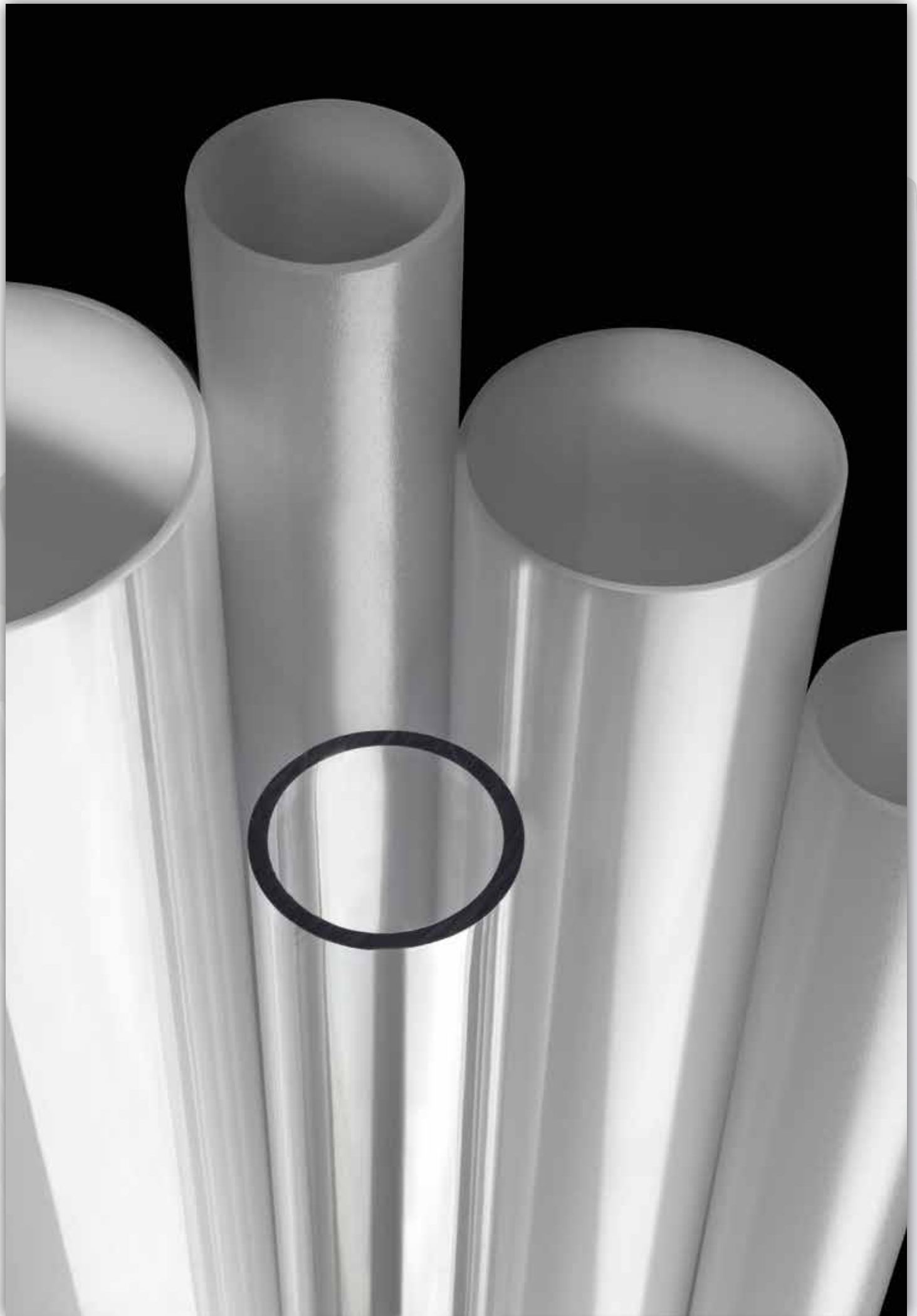
Physical	Nominal Value Unit	Test Method
Density	1.18 g/cm <sup>3</sup>	ISO 1183
Melt Mass-Flow Rate (MFR)	2.2 g/10 min	ISO 1133
Molding Shrinkage	0.40 to 0.70%	ISO 294-4
Water Absorption (Equilibrium, 23°C, 50% RH)	0.30%	ISO 62
Mechanical	Nominal Value Unit	Test Method
Tensile Stress (Yield)	83.0 MPa	ISO 527-2
Tensile Strain (Yield)	5.0%	ISO 527-2
Flexural Modulus	3200 MPa	ISO 178
Flexural Strength	115 MPa	ISO 178
Impact	Nominal Value Unit	Test Method
Charpy Notched Impact Strength	2.0 kJ/m <sup>2</sup>	ISO 179/1eA
Charpy Unnotched Impact Strength	20 kJ/m <sup>2</sup>	ISO 179/1eU
Notched Izod Impact Strength	2.0 kJ/m <sup>2</sup>	ISO 180/1A
Hardness	Nominal Value Unit	Test Method
Rockwell Hardness (M-Scale)	98	ISO 2039-2
Ball Indentation Hardness (H 961/30)	185 MPa	ISO 2039-1
Thermal	Nominal Value Unit	Test Method
Heat Deflection Temperature		
0.45 MPa, Unannealed	105°C	ISO 75-2/B
1.8 MPa, Unannealed	102°C	ISO 75-2/A
Vicat Softening Temperature		
-	117°C	ISO 306/A
-	109°C	ISO 306/B
CLTE-Flow	0.000071 cm/cm/°C	ASTM E831
Flammability	Nominal Value Unit	Test Method
Flame Rating - UL	HB	UL 94
Glow Wire Flammability Index	650°C	IEC 60695-2-12
Optical	Nominal Value Unit	Test Method
Refractive Index	1.490	ISO 489
Transmittance	92.0%	ASTM D1003
Haze	0.40%	ASTM D1003

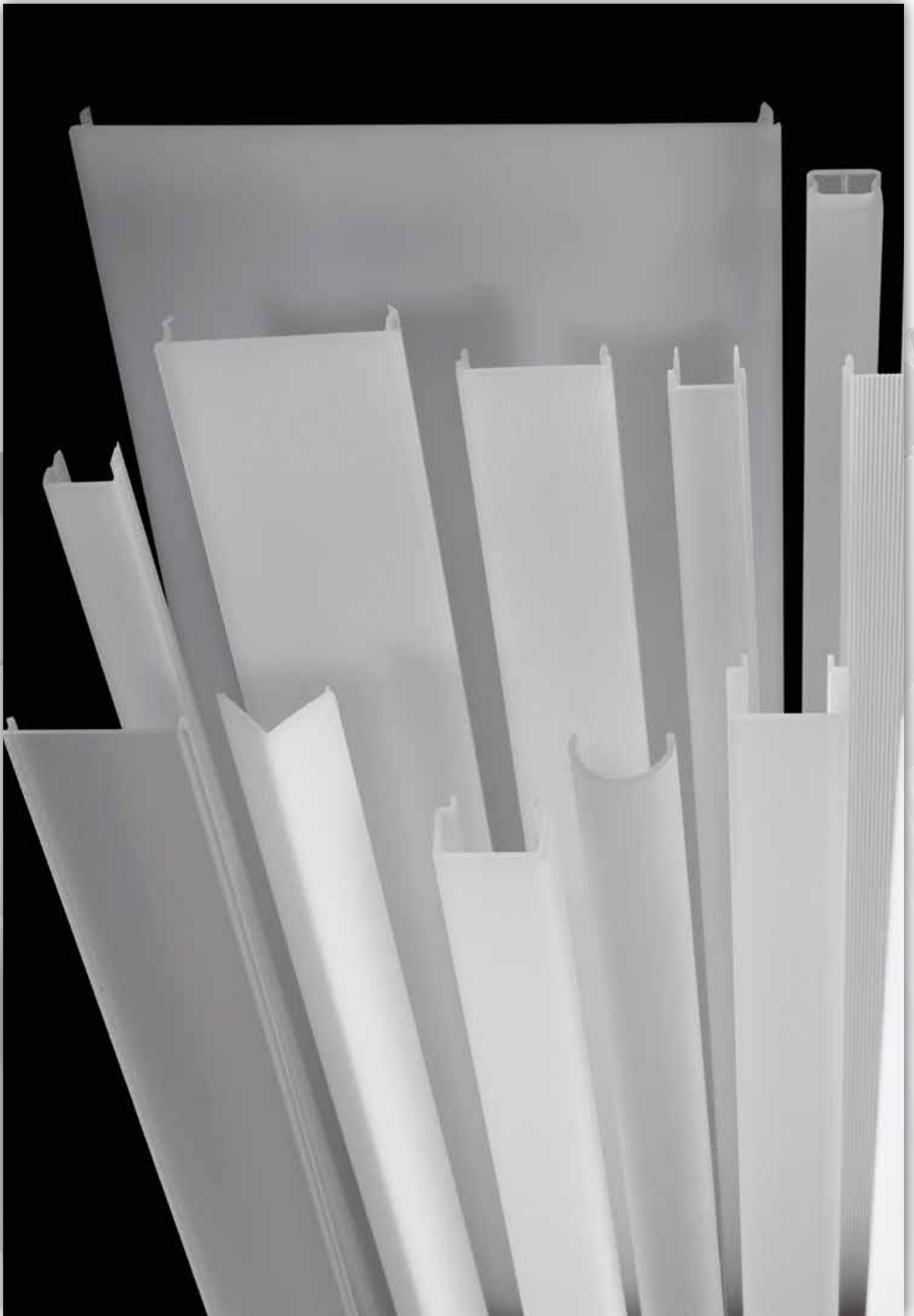
# TECHNICAL DATA SHEET

## PMMA SATIN

Physical	Nominal Value Unit	Test Method
Density	1.15 g/cm <sup>3</sup>	ISO 1183
Melt Mass-Flow Rate (MFR) (230°C/3.8 kg)	0.80 g/10 min	ISO 1133
Molding Shrinkage - Flow	0.20 to 0.80%	ASTM D955
Water Absorption (Equilibrium, 23°C, 50% RH)	0.36%	ISO 62
Mechanical	Nominal Value Unit	Test Method
Tensile Stress (Yield, 23°C)	38.0 MPa	ISO 527-2
Tensile Strain (Break, 23°C)	40%	ISO 527-2
Flexural Modulus (23°C)	1700 MPa	ISO 178
Flexural Strength (23°C)	62.0 MPa	ISO 178
Compressive stress (23°C)	45.0 MPa	ISO 604
Impact	Nominal Value Unit	Test Method
Charpy Notched Impact Strength (23°C)	7.0 kJ/m <sup>2</sup>	ISO 179/2C
Charpy Unnotched Impact Strength (23°C)	60 kJ/m <sup>2</sup>	ISO 179/2U
Notched Izod Impact Strength (23°C)	6.3 kJ/m <sup>2</sup>	ISO 180/1A
Hardness	Nominal Value Unit	Test Method
Rockwell Hardness (M-Scale)	46	ASTM D785
Thermal	Nominal Value Unit	Test Method
Heat Deflection Temperature		
0.45 MPa, Unannealed	93.0°C	ISO 75-2/B
1.8 MPa, Unannealed	88.0°C	ISO 75-2/A
Vicat Softening Temperature	100°C	ISO 306/B
CLTE-Flow (-30 TO 23°C)	0.00010 cm/cm/°C	ASTM D696
Specific Heat	2090 J/kg/°C	
Electrical	Nominal Value Unit	Test Method
Surface Resistivity	> 1.0E + 14 ohms	ASTM D257
Volume Resistivity	> 1.0E + 15 ohm cm	ASTM D257
Dielectric Strength	15 kV/mm	ASTM D149
Dielectric Constant (60 Hz)	3.90	ASTM D150
Dissipation Factor (1 MHz)	0.040	ASTM D150
Flammability	Nominal Value Unit	Test Method
Flame Rating - UL	HB	UL 94
Optical	Nominal Value Unit	Test Method
Refractive Index <sup>2</sup>	1.490	ISO 489
Transmittance	90.0%	ASTM D1003
Haze	2.0%	ASTM D1003









**PTH GROUP s.r.l.** - Via Ticino, 15 - 21043 Castiglione Olona (VA) - ITALY  
Phone +39.0331.858378/+39.0331.859191 - Fax +39.0331.824390/+39.0331.861878  
E-mail: [info@pth-group.com](mailto:info@pth-group.com) - Web site: [www.pth-group.com](http://www.pth-group.com)